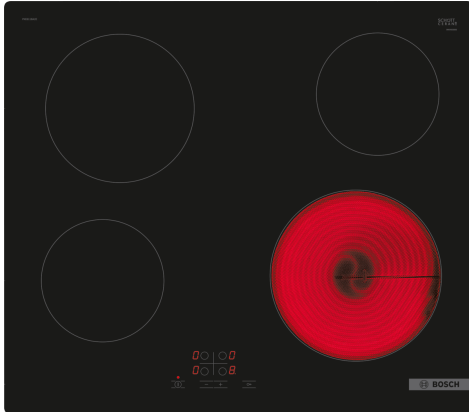


Series 4, Electric Hob, 60 cm, Black, PKE611BA2E



The glass-ceramic radiant hob: makes cooking and cleaning especially easy.

- **TouchSelect:** Selection of the desired cooking zone and easy setting of the desired power level.
- **ReStart:** if something boils over, the cooktop automatically turns itself off and saves the last selected setting.
- **ChildLock:** locks the control panel to prevent accidental changes in settings.

Product name/family: Cooking zone ceramic
 Built-in / Free-standing: Built-in
 Energy input: Electric
 Total number of positions that can be used at the same time: 4
 Min. required niche size for installation (HxWxD): 45 x 560-560 x 490-500 mm
 Width of the appliance: 592 mm
 Dimensions: 45 x 592 x 522 mm
 Dimensions of the packed product (HxWxD): 100 x 750 x 590 mm
 Net weight: 7.5 kg
 Gross weight: 8.2 kg
 Residual heat indicator: yes
 Location of control panel: Front
 Basic surface material: Ceramic
 Color of surface: Black
 EAN code: 4242005280261
 Voltage: 220-240 V
 Frequency: 50; 60 Hz

HEZ32WA00 Wireless food thermometer
 HEZ392617 Intermediate bottom
 HEZ9FE280 Iron pan Ø 18 / 28 cm
 HEZ9SE030 Set of 2 pots and 1 pan



Series 4, Electric Hob, 60 cm, Black, PKE611BA2E

The glass-ceramic radiant hob: makes cooking and cleaning especially easy.

- 60 cm: space for 4 pots or pans.

Flexibility of cooking zones

- Cooking zone front left: 145 mm, 1.2 KW
- Cooking zone rear left: 180 mm, 2 KW
- Cooking zone rear right: 145 mm, 1.2 KW
- Cooking zone front right: 210 mm, 2.2 KW

Comfort & Convenience

- TouchControl +/- (EntryTouch): control the power with imprinted +/- touch buttons.
- Variable 17-stage power settings for each zone: precisely adapt the heat with 17 power levels (9 main levels and 8 intermediate levels).

Time saving & efficiency

- yes: in case of unintentional switch-off, restore all previous settings by switching on the hob again within 4 seconds.
- yes: quickly switch off a cooking zone with one longer touch.

Design

- Frameless design

Safety

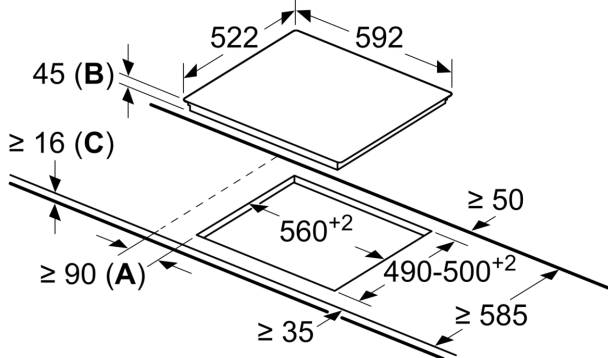
- 2 stage Hh residual heat indicator for each zone: indicates which cooking zones are still hot or warm.
- Safety lock: prevent unintended activation of the hob.
- Main on/off switch: switch off all cooking zones at the touch of a button.
- Power on indicator light: indicates if the hob is heating.
- Automatic safety switch-off: for safety reasons, heating stops after a preset time without interaction (customizable).

Installation

- Dimensions of the product (HxWxD mm): 45 x 592 x 522
- Required niche size for installation (HxWxD mm) : 45 x 560 x (490 - 500)
- Min. worktop thickness: 16 mm
- Connected load: 6600 W

**Series 4, Electric Hob, 60 cm, Black,
PKE611BA2E**

measurements in mm



- A:** Minimum distance from the hob cut-out to the wall.
- B:** Recessed depth
- C:** With fitted oven underneath min. 20, possibly more; see space requirements for the oven.