

Series 8, Built-In Fully Automatic Coffee Machine, Black CTL7181B0



1 x assembly screws, 1 x milk container, 1 x test strip, 1 x connection hose for milk frother, 1 x milk pipe, 1 x welcome-Box

TCZ7003	Accessories small appliances
TCZ7033	Water filter
TCZ8001A	Cleaning tablets
TCZ8002A	Descaling tablets
TCZ8004A	Care set espresso
Y988081300 :	
Y988081302 :	
Y988081303 :	
Y988081012 :	

- **Home Connect:** Discover smart home appliances that make everyday life easier.
- **AromaDouble Shot:** Extra-strong coffee with less bitterness thanks to two grinding and brewing processes
- **OneTouch DoubleCup:** Your choice of espresso or milk drinks with a click – even two cups at once.

Built-in / Free-standing:	Built-in
Frothing nozzle:	No
Display:	No
Water protection system:	no
Portion sizes:	All cups
Dimensions:	455 x 594 x 385 mm
Dimensions of the packed product (HxWxD):	540 x 550 x 670 mm
Min. required niche size for installation (HxWxD):	449 x 558 x 376 mm
Hot water spout:	No
Standby function:	Yes
Simultaneous preparation of 2 cups:	Yes
Included accessories: ...	1 x assembly screws, 1 x milk container, 1 x test strip, 1 x connection hose for milk frother, 1 x milk pipe, 1 x welcome-Box
Optional accessories:	TCZ7003, TCZ7033, TCZ8001A, TCZ8002A, TCZ8004A, Y988081300, Y988081302, Y988081303, Y988081012
Fuse protection:	10 A
Voltage:	220-240 V
Frequency:	50/60 Hz
Plug type:	Gardy plug w/ earthing
Product group:	Built-in coffee machines
Product name/family:	Built-in coffee machines
Product name / Commercial code:	CTL7181B0
Typology:	Fully automatic
Length electrical supply cord:	170.0 cm
Maximum height for installation:	449 mm
Dimensions:	455 x 594 x 385 mm
Dimensions of the packed product (HxWxD):	540 x 550 x 670 mm
Net weight:	42.000 lbs
Net weight:	19.0 kg
Gross weight:	49.000 lbs
Gross weight:	22.3 kg
Capacity water container:	2.4 l



Series 8, Built-In Fully Automatic Coffee Machine, Black CTL7181B0

Flavour

- up to 29 different coffee specialties (within appliance and Home Connect app)
- warm milk, milk froth and hot water function
- adjustable milk ratio for classic milk-mix beverages
- intelligent strength adjustment – adaptive coffee management based on strength and size
- yes – less bitterness in large beverages due to two brewing processes

Convenience

- TFT-Touchdisplay Pro - 6.8" TFT- color display with touch and slide functionality
- Favorites: save up to 30 personalised beverages
- oneTouch DoubleCup – get two cups at the touch of a button
- 2.4 l removable water tank

Performance

- Ceramic (2 discs) – high-quality grinder made of wear-resistant ceramic
- water pump with 19 bar pressure

Hygiene

- steam blast – automatic steam cleaning after every drink
- yes – combined descaling and cleaning program for less effort
- removable brewing unit – for easy and hygienic cleaning
- dishwasher-proof: beverage outlet, drip tray and drip pans

Home Connect

- remote control – operate your appliance from everywhere
- coffeePlaylist – select several drinks in the app, prepared in your chosen order
- Security: Security is of top priority at Home Connect. The Home Connect app has been tested and certified by TÜV IT. And the encrypted data transfer via Home Connect protocol protects against unauthorised access.

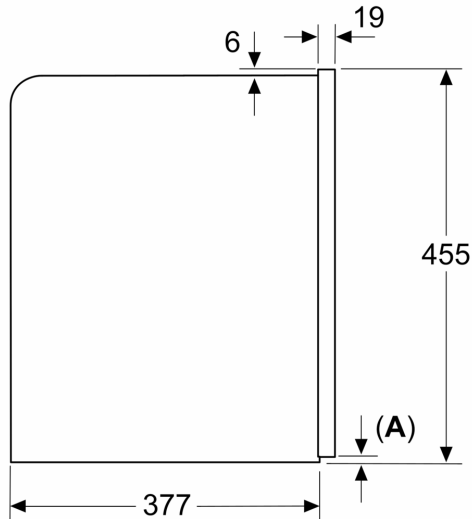
Miscellaneous

- integrated 0,7 l milk container
- 500 g bean container with aroma protection lid
- child lock

Accessories

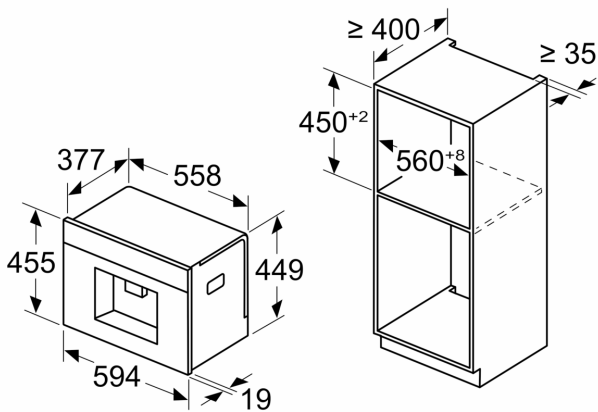
**Series 8, Built-In Fully Automatic
Coffee Machine, Black
CTL7181B0**

Measurements in mm



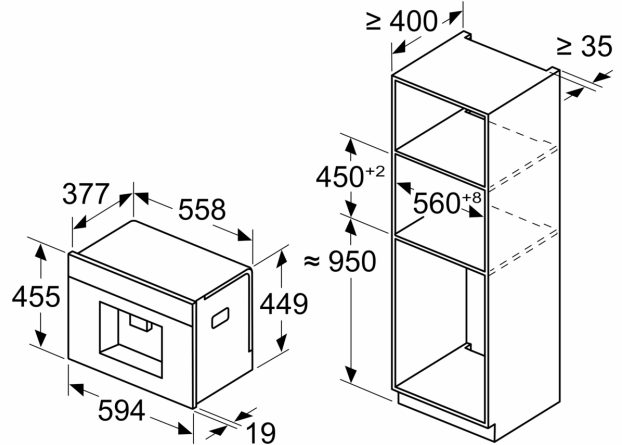
A: 7.5 mm

Measurements in mm



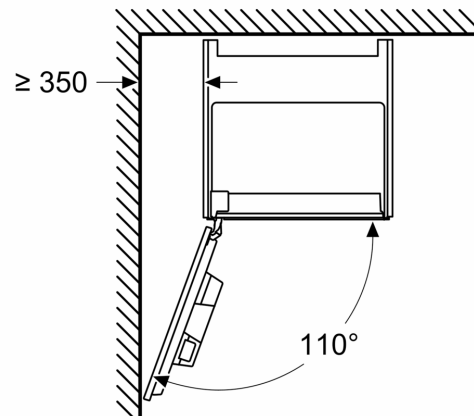
Bean and water containers are removed from the front
Recommended installation height
950–1450 mm

Measurements in mm



Bean and water containers are removed from the front
Recommended installation height
950–1450 mm

Measurements in mm
Left corner installation



If using the 92° hinge limiter, the min. distance to the wall is only 100 mm

Measurements in mm

