



Register your
new device on
MyBosch now and
get free benefits:
[bosch-home.com/
welcome](https://bosch-home.com/welcome)



Microwave Oven

BF.634G.1

BF.834G.1

[en]	User manual and installation instructions	2
[es]	Manual de usuario e instrucciones de montaje	27
[pt]	Manual do utilizador e instruções de instalação	52
[el]	Εγχειρίδιο χρήστη και οδηγίες εγκατάστασης	77

Table of contents

INFORMATION FOR USE

1	Safety	2
2	Preventing material damage	6
3	Environmental protection and saving energy	6
4	Familiarising yourself with your appliance	7
5	Before using for the first time	8
6	Basic operation	9
7	Microwave	10
8	Programmes	11
9	Timer	13
10	Basic settings	13
11	Cleaning and servicing	14
12	Troubleshooting	15
13	Disposal	17
14	Customer Service	17
15	How it works	18
16	INSTALLATION INSTRUCTIONS	23
16.2	Safe installation	24



1 Safety

Observe the following safety instructions.

1.1 General information

- Read this instruction manual carefully.
- Keep the instruction manual and the product information safe for future reference or for the next owner.
- Do not connect the appliance if it has been damaged in transit.

1.2 Intended use

Only a licensed professional may connect appliances without plugs. Damage caused by incorrect connection is not covered under the warranty.

The appliance can only be used safely if it is correctly installed according to the safety instructions. The installer is responsible for ensuring that the appliance works perfectly at its installation location.

Only use this appliance:

- To prepare meals and drinks.
- Under supervision. Never leave the appliance unattended when cooking for short periods.
- For household use and similar applications, such as: In kitchens for employees in shops, offices and other commercial sectors; in agriculture; by customers in hotels and other residential facilities; in bed and breakfasts.
- up to an altitude of max. 4000 m above sea level.

This appliance complies with the standards EN 55011 and CISPR 11. It is a group 2, class B product. Group 2 means that microwaves are produced for the purpose of heating food. Class B means that the appliance is suitable for private households.

1.3 Restriction on user group

This appliance may be used by children aged 8 or over and by people who have reduced physical, sensory or mental abilities or inadequate experience and/or knowledge, provided that they are supervised or have been instructed on how to use the appliance safely and have understood the resulting dangers.

Do not let children play with the appliance. Children must not perform cleaning or user maintenance unless they are at least 15 years old and are being supervised.

Keep children under the age of 8 years away from the appliance and power cable.

1.4 Safe use

Always place accessories in the cooking compartment the right way round.

⚠ WARNING – Risk of fire!

Combustible objects that are left in the cooking compartment may catch fire.

- ▶ Never store combustible objects in the cooking compartment.
- ▶ If smoke is emitted, the appliance must be switched off or the plug must be pulled out and the door must be held closed in order to stifle any flames.

Loose food remnants, fat and meat juices may catch fire.

- ▶ Before using the appliance, remove the worst of the food residues and remnants from the cooking compartment, heating elements and accessories.

⚠ WARNING – Risk of burns!

Accessories and cookware get very hot.

- ▶ Always use oven gloves to remove accessories or cookware from the cooking compartment.

When the cooking compartment is hot, any alcoholic vapours inside may catch fire.

- ▶ Only use small quantities of drinks with a high alcohol content in food.
- ▶ Open the appliance door carefully.

⚠ WARNING – Risk of scalding!

The accessible parts of the appliance become hot during operation.

- ▶ Never touch these hot parts.
- ▶ Keep children at a safe distance.

Hot steam may escape when you open the appliance door. Steam may not be visible, depending on the temperature.

- ▶ Open the appliance door carefully.
- ▶ Keep children at a safe distance.

If there is water in the cooking compartment when it is hot, this may create hot steam.

- ▶ Never pour water into the cooking compartment when the cooking compartment is hot.

⚠ WARNING – Risk of injury!

Scratched glass in the appliance door may develop into a crack.

- ▶ Do not use any harsh or abrasive cleaners or sharp metal scrapers to clean the glass on the appliance door, as they may scratch the surface.

The hinges on the appliance door move when the door is opened and closed, which could trap your fingers.

- ▶ Keep your hands away from the hinges. Components inside the appliance door may have sharp edges.
- ▶ Wear protective gloves.

⚠ WARNING – Risk of electric shock!

Incorrect repairs are dangerous.

- ▶ Repairs to the appliance should only be carried out by trained specialist staff.
- ▶ Only use genuine spare parts when repairing the appliance.
- ▶ If the power cord of this appliance is damaged, it must be replaced by the manufacturer, the manufacturer's Customer Service or a similarly qualified person in order to prevent any risk.

If the insulation of the power cord is damaged, this is dangerous.

- ▶ Never let the power cord come into contact with hot appliance parts or heat sources.
- ▶ Never let the power cord come into contact with sharp points or edges.
- ▶ Never kink, crush or modify the power cord.

An ingress of moisture can cause an electric shock.

- ▶ Do not use steam- or high-pressure cleaners to clean the appliance.

If the appliance or the power cord is damaged, this is dangerous.

- ▶ Never operate a damaged appliance.
- ▶ Never operate an appliance with a cracked or fractured surface.
- ▶ Never pull on the power cord to unplug the appliance. Always unplug the appliance at the mains.
- ▶ If the appliance or the power cord is damaged, immediately unplug the power cord or switch off the fuse in the fuse box.
- ▶ Call customer services. → *Page 17*

⚠ WARNING – Danger: Magnetism!

Permanent magnets are used in the control panel or in the controls. These may affect electronic implants, e.g. heart pacemakers or insulin pumps.

- ▶ Wearers of electronic implants must stay at least 10 cm away from the control panel.

⚠ WARNING – Risk of suffocation!

Children may put packaging material over their heads or wrap themselves up in it and suffocate.

- ▶ Keep packaging material away from children.
- ▶ Do not let children play with packaging material.

Children may breathe in or swallow small parts, causing them to suffocate.

- ▶ Keep small parts away from children.
- ▶ Do not let children play with small parts.

1.5 Microwave

CAREFULLY READ THE IMPORTANT SAFETY INSTRUCTIONS AND KEEP THEM SAFE FOR FUTURE USE

⚠ WARNING – Risk of fire!

Using the appliance for anything other than its intended purpose is dangerous and may cause damage. For example, heated slippers and pillows filled with grain or cereal may catch fire, even several hours later.

- ▶ Never dry food or clothing with the appliance.
- ▶ Never heat up slippers, pillows filled with grain or cereal, sponges, damp cleaning cloths or similar with the appliance.
- ▶ The appliance must only be used to prepare food and drink.

Food and its packaging and containers may catch fire.

- ▶ Never heat food in heat-retaining packaging.
- ▶ Do not leave food unattended while it is heating in containers made of plastic, paper or other combustible materials.
- ▶ Never set the microwave power too high or the cooking time too long. Follow the instructions provided in this user manual.
- ▶ Never use the microwave to dry food.
- ▶ Never defrost or heat food with a low water content, such as bread, at too high a microwave power or for too long.

Cooking oil may catch fire.

- ▶ Never use the microwave to heat cooking oil on its own.

⚠ WARNING – Risk of explosion!

Liquids and other food may easily explode when in containers that have been tightly sealed.

- ▶ Never heat liquids or other food in containers that have been tightly sealed.

⚠ WARNING – Risk of burns!

Foods with peel or skin may burst or explode during heating, or even afterwards.

- ▶ Never cook eggs in their shell or heat hard-boiled eggs in their shell.
- ▶ Never cook shellfish or crustaceans.
- ▶ Always prick the yolk of eggs before microwaving.
- ▶ The skin of foods that have a peel or skin, such as apples, tomatoes, potatoes and sausages, may burst. Before heating, prick the peel or skin.

Heat is not distributed evenly through baby food.

- ▶ Never heat baby food in closed containers.
- ▶ Always remove the lid or teat.
- ▶ Stir or shake well after heating.
- ▶ Check the temperature before giving the food or drink to a child.

Heated food gives off heat. The cookware may become hot.

- ▶ Always use oven gloves to remove cookware or accessories from the cooking compartment.

Airtight packaging may burst when food is heated.

- ▶ Always follow the instructions on the packaging.
- ▶ Always use oven gloves to remove the dishes from the cooking compartment.

The accessible parts of the appliance become hot during operation.

- ▶ Never touch these hot parts.
- ▶ Keep children at a safe distance.

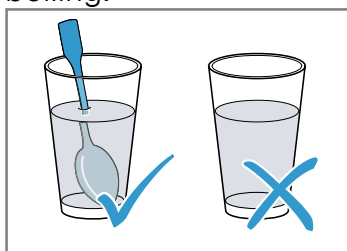
Using the appliance for anything other than its intended purpose is dangerous. This is because, for instance, overheated slippers, pillows filled with grain or cereal, sponges and damp cleaning cloths, etc., may cause burns to the skin.

- ▶ Never dry food or clothing with the appliance.
- ▶ Never heat up slippers, pillows filled with grain or cereal, sponges, damp cleaning cloths or similar with the appliance.
- ▶ The appliance must only be used to prepare food and drink.

⚠ WARNING – Risk of scalding!

There is a possibility of delayed boiling when a liquid is heated. This means that the liquid reaches the boiling temperature without the usual steam bubbles rising to the surface. Exercise caution even when only gently shaking the container. The hot liquid may suddenly boil over and splatter.

- ▶ Always place a spoon in the container when heating liquids. This prevents delayed boiling.



⚠ WARNING – Risk of injury!

Unsuitable cookware may crack. Porcelain or ceramic cookware can have small perforations in the handles and lid. These perforations conceal a cavity below. If moisture penetrates this cavity, it could cause the cookware to crack.

- ▶ Only use microwave-safe cookware.

Cookware and containers made from metal or cookware with metal edging may lead to sparks being formed during simple microwave operation. The appliance is damaged.

- ▶ Never use metal containers during microwave-only operation.
- ▶ Only use microwave-safe cookware.

⚠ WARNING – Risk of electric shock!

The appliance uses a high voltage.

- ▶ Never remove the casing.

⚠ WARNING – Risk of serious harm to health!

Inadequate cleaning may destroy the surface of the appliance, reduce its service life, and lead to dangerous situations, such as escaping microwave energy.

- ▶ Clean the appliance on a regular basis, and remove any food residue immediately.
- ▶ Always keep the cooking compartment, door and door stop clean.

→ "Cleaning and servicing", Page 14

Never operate the appliance if the cooking compartment door is damaged. Microwave energy may escape.

- ▶ Never use the appliance if the cooking compartment door or the plastic door frame is damaged.
- ▶ Any repair work must only be carried out by the after-sales service.

Microwave energy will escape from appliances that do not have any casing.

- ▶ Never remove the casing.
- ▶ Contact our after-sales service if maintenance or repair work is needed.

2 Preventing material damage

2.1 General

ATTENTION!

Alcoholic vapours may catch fire in the hot cooking compartment and cause permanent damage to the appliance. The appliance door may spring open due to an explosion and it may fall off. The door panels may shatter and fragment. Due to the resulting negative pressure, the cooking compartment may become considerably deformed inwards.

- ▶ Do not heat spirits ($\geq 15\%$ vol.) when undiluted (e.g. for marinating or pouring over food).

The prolonged presence of moisture in the cooking compartment leads to corrosion.

- ▶ Always wipe away the condensation after cooking.
- ▶ Do not keep moist food in the cooking compartment for a long time with the door closed.
- ▶ Do not store food in the cooking compartment.

Sitting or placing objects on the appliance door may damage it.

- ▶ Do not place, hang or support objects on the appliance door.

With certain models, accessories may scratch the door pane when closing the appliance door.

- ▶ Always push accessories fully into the cooking compartment.

2.2 Microwave

Follow these instructions when using the microwave.

ATTENTION!

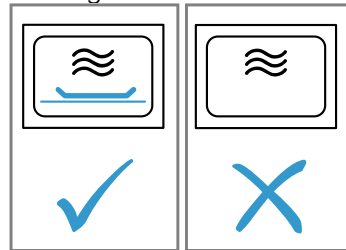
Metal touching the wall of the cooking compartment will cause sparks, which may damage the appliance or the inner door pane.

- ▶ Metal (e.g. a spoon in a glass) must be kept at least 2 cm from the cooking compartment walls and the inside of the door.

Placing aluminium containers in the appliance may cause sparks, which will damage the appliance.

- ▶ Do not use aluminium containers in the appliance. Operating the appliance without food in the cooking compartment may lead to overloading.

- ▶ Do not switch on the microwave unless there is food inside. The only exception to this rule is when performing a short cookware test.



If you prepare several bags of microwave popcorn in immediate succession at a microwave power level that is too high, the cooking compartment may be damaged.

- ▶ Leave the appliance to cool down for several minutes between each use.
- ▶ Never set a microwave power level that is too high.
- ▶ Use a maximum microwave output of 600 watts.
- ▶ Always place the popcorn bag on a glass plate.

3 Environmental protection and saving energy

3.1 Disposing of packaging

The packaging materials are environmentally compatible and can be recycled.

- ▶ Sort the individual components by type and dispose of them separately.

3.2 Saving energy

If you follow these instructions, your appliance will use less power.

Hide the clock in standby mode.

- The appliance saves energy in standby mode.

Note:

The appliance requires:

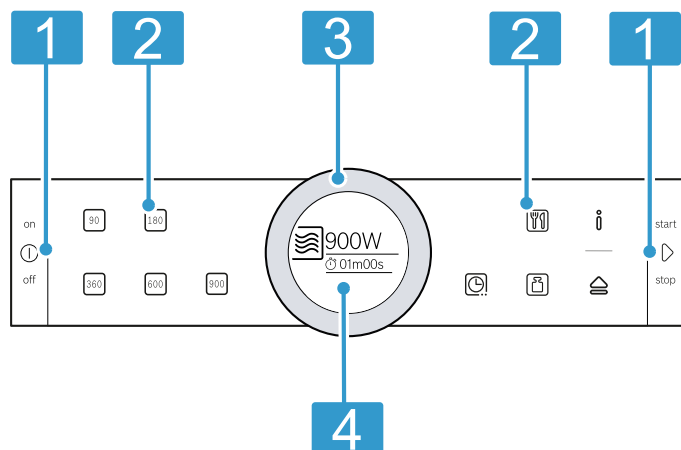
- a maximum of 1 W when the appliance is in operation with the display switched on
- a maximum of 0.5 W when the appliance is in operation with the display switched off

4 Familiarising yourself with your appliance

4.1 Control panel

You can use the control panel to configure all functions of your appliance and to obtain information about the operating status.

On certain models, specific details such as colour and shape may differ from those pictured.



- 1 Buttons**
The buttons have a pressure point. Press the buttons to activate them.
- 2 Touch fields**
Use the touch fields to set different functions directly.
- 3 Control ring**
The control ring can be turned infinitely in either direction. Press down lightly on the control ring and use your finger to move it in the required direction.
- 4 Display**
The display shows the current setting values, options and notifications.

Buttons

You can use the buttons to directly select various functions.

Symbol	Button	Use
⓪	On/off	Switch the appliance on or off
▷	Start/stop	Start or pause operation

Touch fields

Touch fields are touch-sensitive surfaces. To select a function, touch the relevant field.

Symbol	Touch field	Use
90	Microwave output	Set 90 W
180	Microwave output	Set 180 W
360	Microwave output	Set 360 W
600	Microwave output	Set 600 W
900	Microwave output	Set 900 W
⌚	Time-setting options	Select time-setting options
🍲	Programmes	Select a programme
📏	Weight	Select a weight for the programmes
ℹ️	Information	Display notes or press and hold (approx. 3 seconds) to call up the basic settings
🚪	Automatic door-opening	Open the appliance door

Note: When ℹ️ lights up, touch ℹ️ to display information for a few seconds.

The touch field whose value you can change on the display, or that is displayed in the foreground, lights up red.

Control ring

You can use the control ring to change the adjustment values shown on the display.

en Before using for the first time

For most selection lists, e.g. programmes, the first point begins again following the last point. For some selection lists, e.g. cooking time, rotate the control ring back again once the minimum or maximum value has been reached.

Display

You can see the current setting values or options in the display.

Display	Description
Highlighted information	The highlighted value can be changed directly without selecting the value beforehand. Once an operation starts, the duration is always highlighted.
Enlargement	As long as you use the control ring to change the highlighted value, only this value is displayed larger.

Display ring

There is a display ring around the outside of the display.

If you are changing a value, the display ring shows you where you are in the selection list.

Depending on the settings area and the length of the selection list, the display ring may be either a continuous or a segmented line.

When the appliance is in operation, the display ring shows the progress and turns red at one-second intervals. After every full minute, the segments are filled again from the beginning. As the cooking time counts down, one segment disappears every second.

4.2 Cooking compartment

The functions in the cooking compartment make your appliance easier to use.

Interior lighting

When you open the appliance door, the interior lighting switches on. If the appliance door remains open for longer than approx. 5 minutes, the interior lighting switches off again.

With most types of heating and functions, the interior lighting remains on while the appliance is in operation. The interior lighting switches off again when the operation stops.

Cooling fan

The cooling fan switches on and off as required. The hot air escapes through the ventilation slots above the appliance door.

ATTENTION!

Covering the ventilation slots will cause the appliance to overheat.

- ▶ Do not cover the ventilation slots.

To cool the cooking compartment more quickly after operation, the cooling fan continues to run for a certain period afterwards. If the appliance is running in microwave operation, the appliance remains cool, but the cooling fan still switches on. The cooling fan may continue to run even when microwave operation has ended.

Condensation

Condensation can occur in the cooking compartment and on the appliance door when cooking. Condensation is normal and does not adversely affect appliance operation. Wipe away the condensation after cooking.

Automatic door opener

If you press the automatic door-opener, the appliance door springs open. You can fully open the appliance door manually.

Notes

- In the event of a power failure, the automatic door-opening does not work. You can open the door manually.
- If you open the appliance door during operation, this pauses the operation.
- When you close the appliance door, the operation does not continue automatically. Start the operation.
- If the appliance is switched off for an extended period of time, the appliance door opens with a time delay.

5 Before using for the first time

Configure the settings for initial start-up. Clean the appliance and accessories.

5.1 Initial use

When the appliance is connected to the power supply for the first time or following a lengthy power failure, the settings for the initial start-up of your appliance appear.


Notes

- You can adjust the settings at any time in the basic settings.

→ "Basic settings", Page 13


- Open and close the appliance door for the internal inspection before the initial start-up or after any power failure.

Setting the language

1. Use the control ring to set the language.
 2. Press .
- ✓ The display shows the next setting.

Setting the time



1. Use the control ring to set the time.

2. Press .
 - ✓ A message appears on the display confirming that the initial start-up is complete.


Note: In the → "Basic settings", Page 13, specify whether or not the display shows the time when the appliance is switched off.

6 Basic operation

6.1 Switching on the appliance

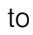
- ▶ Press  to switch the appliance on.
- ✓ All of the touch fields light up red. The display shows the Bosch logo, followed by the maximum microwave output.
- ✓ The appliance is ready to use.
- ✓  lights up red.

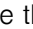
6.2 Switching off the appliance

- ▶ Press  to switch the appliance off.
- ✓ The appliance cancels the current functions.
- ✓ The display shows the time.

Note: Switch off your appliance when it is not being used. If no settings are applied for an extended period, the appliance switches itself off automatically.

6.3 Starting the operation

- ▶ Use  to start the operation.
- ✓ The display shows the settings.
- ✓ The display ring appears and shows the end of the cooking time.

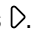

Note: If you open the appliance door during operation, the appliance interrupts the operation and maintains the set time left. When you want to restart the operation, close the appliance door and press .

5.2 Cleaning the appliance before using it for the first time

Clean the cooking compartment and accessories before using the appliance to prepare food for the first time.

1. Make sure that there is no leftover packaging, accessories or other objects in the cooking compartment.
2. Clean the smooth surfaces in the cooking compartment with a soft, damp cloth.

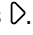
6.4 Interrupting the operation

1. Press .
- ✓ The appliance interrupts the operation.
2. Press  to delete all settings.

Note: When you open the appliance door, the appliance interrupts the operation. After an operation is interrupted or cancelled, the cooling fan may continue to run.

6.5 Setting the operating mode

When you switch on the appliance, the display shows the set default operating mode. You can start the suggested operating mode immediately or set a different operating mode.

1. Press the field for the required operating mode.
2. Use the control ring to change the highlighted selection.
 - If required, implement additional settings. To do this, touch the relevant field and use the control ring to change the value.
3. Press .
- ✓ The appliance starts the operation.

7 Microwave

You can use the microwave to cook, heat up or defrost food very quickly.

7.1 Microwave-safe cookware and accessories

To heat food evenly and avoid damaging your appliance, it is important to use the right cookware and accessories.

Note: Read the manufacturer's instructions before using any cookware in the microwave. If in doubt, carry out a cookware test.

Microwave-safe

Cookware and accessories	Reason
Cookware made from heat-resistant, microwave-safe material: <ul style="list-style-type: none"> ■ Glass ■ Glass ceramic ■ Porcelain ■ Temperature-resistant plastic ■ Fully glazed ceramic without cracks 	These materials allow microwaves to pass through. Microwaves do not damage heat-resistant cookware.
Metal cutlery	Note: You can use metal cutlery, e.g. place a spoon in a glass, to prevent delayed boiling.

ATTENTION!

Metal touching the wall of the cooking compartment will cause sparks, which may damage the appliance or the inner door pane.

- ▶ Metal (e.g. a spoon in a glass) must be kept at least 2 cm from the cooking compartment walls and the inside of the door.

7.3 Microwave power settings

Here you can find an overview of the different microwave power settings and when to use them.

Microwave output in watts	Maximum cooking time	Use
90 W	1:30 hours	Defrosting delicate foods.
180 W	1:30 hours	Defrosting food and continued cooking.
360 W	1:30 hours	Cooking meat and fish or heating delicate foods.
600 W	1:30 hours	Heating and cooking food.
900 W	30 minutes	Heating liquids. The maximum power setting is not designed for heating food.

Not microwave-safe

Cookware and accessories	Reason
Metal cookware	Metal does not allow microwaves to pass through. The food hardly heats up.
Cookware with gold or silver decoration	Microwaves can damage gold and silver decoration. Tip: You can only use this kind of cookware if the manufacturer guarantees that it is microwave-safe.

7.2 Testing cookware for microwave suitability

Test cookware to see whether it is suitable for microwave use. Testing cookware is the only time the appliance should be operated in microwave mode without any food inside.

WARNING – Risk of scalding!

The accessible parts of the appliance become hot during operation.

- ▶ Never touch these hot parts.
 - ▶ Keep children at a safe distance.
1. Place the empty cookware in the cooking compartment.
 2. Set the appliance to the maximum microwave power setting for 30 seconds to 1 minute.
 3. Start the operation.
 4. Check the cookware several times:
 - If the cookware is cold or warm to the touch, it is suitable for microwave use.
 - If the cookware becomes hot or sparks are created, stop the cookware test. The cookware is not microwave-safe.

Default settings

The appliance suggests a cooking time for each microwave power setting. You can accept this value or change it in the relevant area.

7.4 Configuring the microwave settings

When you switch the appliance on, the display always shows the highest microwave output as a suggestion.

1. Note the safety instructions. → *Page 4*
2. Observe the instructions on how to prevent material damage. → *Page 6*
3. Observe the information on microwave-safe cookware and accessories. → *Page 10*
4. Press \odot .
 - ✓ The appliance is ready to use. The display shows the maximum microwave output as a default value. The microwave output can be changed at any time.
5. Press the field for the required microwave output.
 - ✓ The display shows the microwave output and a default cooking time.
 - ✓ \odot lights up red.
6. Use the control ring to set the required cooking time.
 - ✓ The appliance starts the operation.
 - ✓ The cooking time counts down on the display.

- ✓ Once the cooking time has elapsed, a signal tone sounds.
8. Press \odot to end the signal tone early.
 9. Use \odot to switch the appliance off.

Notes

- If you press \odot , the display shows the timer function for a short time. In order to increase the cooking time, press \odot again.
- If you open the appliance door in the meantime, the cooling fan may continue to run.

7.5 Changing the cooking time

You can change the cooking time at any time.

- ▶ Use the control ring to change the cooking time.
- ✓ The operation continues.

7.6 Changing the microwave output setting

You can change the microwave output setting during operation.

- ▶ Press on the field for the required microwave output.
- ✓ The cooking time remains unchanged.
- ✓ The operation continues.

Note: If the set cooking time exceeds the maximum cooking time for the 900 W microwave output setting, the appliance automatically reduces the cooking time. The operation stops. Press \triangleright to start the operation.

8 Programmes

The programmes help you to use your appliance to prepare different dishes by selecting the optimum settings automatically.

8.1 Tips on configuring the settings for dishes

Follow these tips to achieve optimal cooking results.

- Only use food that is in perfect condition.
- Take the food out of its packaging and weigh it. If you cannot set the exact weight on the appliance, round the weight up or down.
- Only use microwave-safe, heat-resistant cookware, e.g. made of glass or ceramic.
- Place the food in the cold cooking compartment.

Defrost

- Freeze and store food flat and in portion-sized quantities at -18 °C.
- Place the frozen food on flat cookware, such as a glass or porcelain plate.
- Food may not be completely defrosted by the end of the programme. The food can nonetheless be further processed.

- Liquid is produced when defrosting meat or poultry. When turning, drain off any liquid. Do not use this for other purposes or allow it to come into contact with other foods.
- After turning, remove any minced meat that has already defrosted.
- Whole poultry should be placed on the cookware breast-side down and poultry portions skin-side down.

Vegetables

- Fresh vegetables: Cut into pieces of an equal size. Add one tablespoon of water per 100 g.
- Frozen vegetables: Only suitable for blanched, not pre-cooked vegetables. It is not suitable for frozen vegetables in cream sauce. Add 1 to 3 tablespoons of water. Do not add any water for spinach or red cabbage.

Potatoes

- Boiled potatoes: Cut into pieces of an equal size. Add two tablespoons of water and some salt per 100 g.

- Unpeeled boiled potatoes: Use potatoes of the same thickness. Wash them and prick the skin. Place the wet potatoes in a dish. Do not add water.
- Baked potatoes: Use potatoes of the same thickness. Wash, dry and prick the skin.

Rice

- Do not use brown rice or boil-in-the-bag rice.
- Add two to two-and-a-half times the amount of water to the rice.

Resting time

Some dishes require a resting time in the cooking compartment after the programme has ended.

Dish	Resting time
Vegetables	Approx. 5 minutes
Potatoes	Approx. 5 minutes Drain the water first
Rice	Approx. 5-10 minutes

8.2 Setting a programme

1. Press ①.
 - ✓ The appliance is ready to use.
2. Press ⑦.
 - ✓ The display shows the first programme.
3. Use the control ring to set the required programme.
4. Press ③.
 - ✓ The display shows a default value for the weight.
5. Use the control ring to set the required weight.
6. Press ④.
 - ✓ The appliance starts the operation.
 - ✓ The cooking time counts down on the display.
7. If the display provides instructions for turning or stirring during the programme:
 - Open the appliance door.
 - Break up, stir or turn the food.
 - Close the appliance door.
 - Press ④.

Note: If you do not turn or stir the food, the programme continues as usual to the end. The programmes calculate the cooking time.

8.3 Programme table

You can cook food very easily using the programmes. You select a programme and enter the weight of your food. The programme applies the most suitable settings.

Defrost

Dish	Suitable food	Weight range in kg	Cookware/accessories
Defrost bread ¹	Bread, whole, round or long; sliced bread; sponge cake, yeast cake, fruit flan, cakes without icing, cream or gelatine	0.20 – 1.50	Shallow cookware without lid Cooking compartment floor
Defrost meat ¹	Joints, flat pieces of meat, minced meat, chicken	0.20 – 2.00	Shallow cookware without lid Cooking compartment floor
Defrost fish ¹	Whole fish, fish fillet, fish steak	0.10 – 1.00	Shallow cookware without lid Cooking compartment floor

¹ Observe the signals given when it is time to turn the food.

Cooking

Dish	Suitable food	Weight range in kg	Cookware/accessories
Fresh vegetables ¹	Cauliflower, broccoli, carrots, kohlrabi, leeks, peppers, courgettes	0.15 – 1.00	Covered cookware Cooking compartment floor
Frozen vegetables ¹	Cauliflower, broccoli, carrots, kohlrabi, red cabbage, spinach	0.15 – 1.00	Covered cookware Cooking compartment floor
Boiled potatoes	Potatoes with or without skin, potatoes cut into pieces of equal size	0.20 – 1.00	Covered cookware Cooking compartment floor
Rice ¹	Long-grain rice	0.05 – 0.30	Deep cookware with lid Cooking compartment floor



¹ Observe the signals given when it is time to stir the food.


9 Timer

You can set the time on the timer. Once this time has elapsed, a signal tone sounds. You can set a maximum time on the timer of 24 hours.


The function works independently of the operation and other time-setting options. The timer signal is different from other signals.

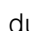
9.1 Set the timer

1. Press .
 - ✓ The display shows the timer.
 2. Use the control ring to set the timer duration.
 3. Press .
- The timer also starts automatically after a few seconds.
- ✓ The timer counts down.
 - ✓ After a short time, the display switches back.
 - ✓ In addition, a timer symbol is shown on the display.

- ✓ Once the timer duration has elapsed, a signal tone sounds.
- 4. Press  to end the signal tone early.

9.2 Changing the timer

1. Press .
- ✓ The display shows the timer.
2. Use the control ring to change the timer duration.

Note: If an operating mode with a set duration is running, this duration is highlighted. You can use  to select the timer. The timer duration is highlighted for a short time. You can change the timer duration.

9.3 Cancelling the timer




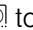
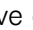
- ▶ Reset the timer duration.
- ✓ Once this is implemented, the symbol no longer lights up.

10 Basic settings

You can configure the basic settings for your appliance to meet your needs.


10.1 Changing basic settings

Requirement: The appliance is switched off.

1. Press and hold  for approx. 3 seconds.
- ✓ The display shows information about the process.
2. Use  to confirm this information.
- ✓ The first setting "Language" appears on the display.
3. Turn the control ring to change the setting as required.
4. Press .
- ✓ The next setting appears on the display and you can use the control ring to change it.
5. Use  to work through all of the information and, if required, use the control ring to make changes.
6. To save changes, press and hold  for approx. 3 seconds.
- ✓ The display shows a notification confirming that the settings have been saved.

Note: Your changes to the basic settings will be retained even after a power failure.

10.2 Discarding changes to the basic settings

- ▶ Press .
- ✓ All changes are discarded and not saved.

10.3 Overview of the basic settings

This is where you can find an overview of the basic settings and factory settings. The basic settings depend on the features of your appliance.

Notes

- Changes to the language, button tone and display brightness settings take effect immediately. All other settings do not take effect until you save them.
- Your changes to the basic settings will be retained even after a power failure. Only the settings pertaining to the initial start-up of the appliance need to be implemented once again following a power failure.
→ "Initial use", Page 8

Basic settings	Selection
Language	Set "Language"
Time	Set "Time "
Audible signal	Short cooking time Medium cooking time ¹ Long cooking time
Button tone	Switched off ¹ Switched on
Display brightness	The display brightness can be adjusted in 5 settings Setting 3 ¹
Clock display	Switched on ¹ Switched off
Night-time dimming	Switched off ¹ Switched on (display dimmed between 10 p.m. and 6 a.m.)

¹ Factory setting (may vary according to model)

Basic settings	Selection
Demo mode	Switched off ¹ Switched on (this is only displayed in the first 3 minutes following a reset or the initial start-up)
Factory settings	Reset Do not reset ¹

¹ Factory setting (may vary according to model)

Note: Changes to the language, button tone and display brightness settings take effect immediately. All other settings do not take effect until you save them.

10.4 Changing the time

Requirement: The appliance is switched off.

- Press and hold **i** for approx. 3 seconds.
 - ✓ The display shows information about the process.
- Use **⊞** to confirm this information.
 - ✓ The first setting "Language" appears on the display.
- Press **⊞**.
 - ✓ The setting for the clock time appears.
- Use the control ring to change the time.
- To save changes, press and hold **i** for approx. 3 seconds.
 - ✓ The display shows a notification confirming that the settings have been saved.

11 Cleaning and servicing

To keep your appliance working efficiently for a long time, it is important to clean and maintain it carefully.

11.1 Cleaning products

Only use suitable cleaning agents.

⚠ WARNING – Risk of electric shock!

An ingress of moisture can cause an electric shock.

- ▶ Do not use steam- or high-pressure cleaners to clean the appliance.

ATTENTION!

Unsuitable cleaning agents damage the surfaces of the appliance.

- ▶ Do not use harsh or abrasive cleaning products.
- ▶ Do not use cleaning products with a high alcohol content.
- ▶ Do not use hard scouring pads or cleaning sponges.
- ▶ Do not use any special cleaners for cleaning the appliance while it is hot.
- ▶ Only use glass cleaners, glass scrapers or stainless steel care products if recommended in the cleaning instructions for the relevant part.

New sponge cloths contain residues from production.

- ▶ Wash new sponge cloths thoroughly before use.

You can find out which cleaning products are suitable for each surface or part of the appliance in the individual cleaning instructions.

11.2 Cleaning the appliance

Clean the appliance as specified. This will ensure that the different parts and surfaces of the appliance are not damaged by incorrect cleaning or unsuitable cleaning products.

⚠ WARNING – Risk of fire!

Loose food remnants, fat and meat juices may catch fire.

- ▶ Before using the appliance, remove the worst of the food residues and remnants from the cooking compartment, heating elements and accessories.

⚠ WARNING – Risk of injury!

Scratched glass in the appliance door may develop into a crack.

- ▶ Do not use any harsh or abrasive cleaners or sharp metal scrapers to clean the glass on the appliance door, as they may scratch the surface.

- Read the information on cleaning products.
 - Page 14
- Observe the information on cleaning the appliance components or surfaces.
- Unless otherwise specified:
 - Clean the components of the appliance with hot soapy water and a dish cloth.
 - Dry with a soft cloth.

11.3 Cleaning the cooking compartment

ATTENTION!

Incorrect cleaning may damage the cooking compartment.

- ▶ Do not use oven spray, abrasive materials or other aggressive oven cleaners.

- Read the information on cleaning products.
 - Page 14
- Clean with hot soapy water or a vinegar solution.
- Use oven cleaner to remove very heavy soiling. Only use oven cleaner when the cooking compartment is cold.

Tip: To eliminate unpleasant odours, heat up a cup of water with a few drops of lemon juice for 1 to 2 minutes at maximum microwave power setting. Always place a spoon in the container to prevent delayed boiling.

- Wipe out the cooking compartment with a soft cloth.
- Leave the cooking compartment to dry with the door open.

11.4 Cleaning the front of the appliance

ATTENTION!

Incorrect cleaning may damage the front of the appliance.

- ▶ Do not use glass cleaner, metal scrapers or glass scrapers for cleaning.
- ▶ To prevent corrosion on stainless steel fronts, remove any limescale, grease, starch and albumin (e.g. egg white) stains immediately.
- ▶ On stainless steel surfaces, use special stainless steel cleaning products suitable for hot surfaces.

1. Read the information on cleaning products.
→ *Page 14*
2. Clean the front of the appliance using hot soapy water and a dish cloth.

Note: Slight differences in colour on the front of the appliance are caused by the use of different materials, such as glass, plastic and metal.

3. For stainless steel appliance fronts, apply a thin layer of the stainless steel cleaning product with a soft cloth.
You can obtain the stainless steel cleaning products from the after-sales service or the online shop.
4. Dry with a soft cloth.

11.5 Cleaning the control panel

ATTENTION!

Incorrect cleaning may damage the control panel.

- ▶ Never wipe the control panel with a wet cloth.
1. Read the information on cleaning products.
→ *Page 14*
 2. Clean the control panel using a microfibre cloth or a soft, damp cloth.
 3. Dry with a soft cloth.

11.6 Cleaning the door panels

ATTENTION!

Incorrect cleaning may damage the door panes.

- ▶ Do not use a glass scraper.

1. Read the information on cleaning products.
→ *Page 14*
2. Clean the door panels with a soft dish cloth and glass cleaner.

Note: Shadows on the door panels, which look like streaks, are caused by reflections made by the interior lighting.

3. Dry with a soft cloth.

11.7 Cleaning the door seal

ATTENTION!

Incorrect cleaning may damage the door seal.

- ▶ Do not use metal scrapers or glass scrapers for cleaning.
- ▶ Do not use abrasive cleaning agents.

1. Read the information on cleaning products.
→ *Page 14*
2. Clean the door seal with hot soapy water and a soft dish cloth.
3. Dry with a soft cloth.

11.8 Cleaning aid

The cleaning aid is a quick alternative for occasionally cleaning the cooking compartment. The cleaning aid softens dirt by vaporising the soapy water. The dirt can then be removed more easily.

Setting the cleaning aid

1. Add a few drops of washing-up liquid to a cup of water.
2. Place a spoon in the cup to prevent delayed boiling.
3. Place the cup in the centre of the cooking compartment.
4. Set the microwave output to 600 W.
5. Set the cooking time to 5 minutes.
6. Start the microwave.
7. Once the cooking time has elapsed, leave the doors closed for an additional three minutes.
8. Wipe out the cooking compartment with a soft cloth.
9. Leave the cooking compartment to dry with the door open.

12 Troubleshooting

You can rectify minor faults on your appliance yourself. Read the troubleshooting information before contacting after-sales service. This will avoid unnecessary costs.

WARNING – Risk of injury!

Improper repairs are dangerous.


- ▶ Repairs to the appliance should only be carried out by trained specialist staff.
- ▶ If the appliance is defective, call Customer Service.
→ *"Customer Service", Page 17*

WARNING – Risk of electric shock!

Improper repairs are dangerous.

- ▶ Repairs to the appliance should only be carried out by trained specialist staff.
- ▶ Only use genuine spare parts when repairing the appliance.
- ▶ If the power cord of this appliance is damaged, it must be replaced by the manufacturer, the manufacturer's Customer Service or a similarly qualified person in order to prevent any risk.

12.1 Malfunctions

Fault	Cause and troubleshooting
The appliance is not working.	<p>The mains plug of the power cord is not plugged in.</p> <ul style="list-style-type: none"> ▶ Connect the appliance to the power supply. <hr/> <p>The circuit breaker in the fuse box has tripped.</p> <ul style="list-style-type: none"> ▶ Check the circuit breaker in the fuse box. <hr/> <p>There has been a power cut.</p> <ul style="list-style-type: none"> ▶ Check whether the lighting in your room or other appliances are working. <hr/> <p>Malfunction</p> <ol style="list-style-type: none"> 1. Switch off the fuse in the fuse box. 2. Switch the fuse back on after approx. 10 seconds. ✓ If the fault was a one-off, the message disappears. 3. If the message appears again, call the after-sales service. Please specify the exact error message when calling. → "Customer Service", Page 17
Appliance does not start.	<p>Appliance door not fully closed.</p> <ul style="list-style-type: none"> ▶ Close appliance door.
The appliance will not heat up; the  symbol is lit on the display	<p>Demo mode is activated.</p> <ol style="list-style-type: none"> 1. Disconnect the appliance from power supply by briefly switching off the circuit breaker in the fuse box. 2. Deactivate demo mode in the basic settings in the next 3 minutes.
The control ring has fallen out of its support.	<p>The control ring has come out.</p> <ol style="list-style-type: none"> 1. Place the control ring in the support in the control panel. 2. Push the control ring into the support until it engages and can be turned.
The control ring is difficult to turn.	<p>There is dirt under the control ring. The control ring can be removed.</p> <p>Note: Do not remove the control ring too often, or the support may become unstable.</p> <ol style="list-style-type: none"> 1. To remove the control ring, press down on the outer edge of the control ring. ✓ The control ring will tilt, making it easier to grasp. 2. Remove the control ring from its support. 3. Carefully clean the control ring and its support on the appliance using a cloth and soapy water. Do not use harsh or abrasive cleaning products. Do not soak the control ring. Do not clean the control ring in the dishwasher. 4. Dry the control ring with a soft cloth.
The interior lighting is not working.	<p>Interior lighting is defective</p> <ul style="list-style-type: none"> ▶ Call → "Customer Service", Page 17.

12.2 Information on display panel

Fault	Cause and troubleshooting
The display shows the error message "Exxx"	<p>An error has occurred.</p> <ol style="list-style-type: none"> If the display shows an error message, switch the appliance off and on again. ✓ If the display no longer shows the error message, it was a one-off problem. If the display continues to show or repeatedly shows the error message, contact customer service and provide them with the error code. If the display shows error message E0532, open and close the appliance door. If the display shows error message E6501, switch the appliance off and then switch it back on again after 10 minutes.

13 Disposal

13.1 Disposing of old appliance

Valuable raw materials can be reused by recycling.

- Unplug the appliance from the mains.
- Cut through the power cord.
- Dispose of the appliance in an environmentally friendly manner.

Information about current disposal methods are available from your specialist dealer or local authority.



This appliance is labelled in accordance with European Directive 2012/19/EU concerning used electrical and electronic appliances (waste electrical and electronic equipment - WEEE).

The guideline determines the framework for the return and recycling of used appliances as applicable throughout the EU.

14 Customer Service

Detailed information on the warranty period and terms of warranty in your country is available from our after-sales service, your retailer or on our website.

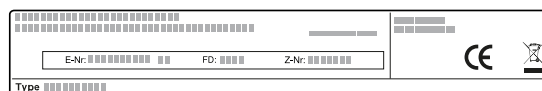
If you contact Customer Service, you will require the product number (E-Nr.) and the production number (FD) of your appliance.

The contact details for Customer Service can be found in the enclosed Customer Service directory or on our website.

This product contains light sources from energy efficiency class E. These light sources are available as a spare part and should only be replaced by trained specialist staff.

14.1 Product number (E-Nr.) and production number (FD)

You can find the product number (E-Nr.) and the production number (FD) on the appliance's rating plate. You will see the rating plate with these numbers if you open the appliance door.



Make a note of your appliance's details and the Customer Service telephone number to find them again quickly.

15 How it works

Here, you can find the ideal settings for various dishes as well as the best accessories and cookware. We have tailored these recommendations to your appliance.

15.1 What is the best way to proceed?

In this section, you will find out the best way to proceed using step-by-step instructions to make optimal use of the recommended settings. You will get information on many meals, with details and tips on how to best use and set your appliance.

Tip

Cooking tips

- The recommended settings always apply to the cooking compartment when it is cold and empty.
- The times specified in the overviews are intended as a guide only. They will depend on the quality and composition of the food.

WARNING – Risk of burns!

Foods with peel or skin may burst or explode during heating, or even afterwards.

- ▶ Never cook eggs in their shell or heat hard-boiled eggs in their shell.
- ▶ Never cook shellfish or crustaceans.
- ▶ Always prick the yolk of eggs before microwaving.
- ▶ The skin of foods that have a peel or skin, such as apples, tomatoes, potatoes and sausages, may burst. Before heating, prick the peel or skin.

Defrosting with the microwave

Note:

Cooking tips

- Freeze the food flat.
- Use microwave-safe cookware without a lid.
- Place the cookware on the bottom of the cooking compartment.
- Turn or stir the food 2–3 times during this time. When turning, remove any liquid that escapes during defrosting.
- Liquid is produced when defrosting meat or poultry. When turning, drain off any liquid. Do not use this for other purposes or allow it to come into contact with other foods.
- After turning, remove any minced meat that has already defrosted.
- Separate any defrosted parts when turning.
- After defrosting, leave the food to rest for 10–60 minutes.

Food	Weight	Microwave output	Cooking time
Whole pieces of meat, on the bone or boned	800 g	1. 180 W 2. 90 W	1. 15 mins ¹ 2. 15-25 mins
Whole pieces of meat, on the bone or boned	1000 g	1. 180 W 2. 90 W	1. 20 mins ¹ 2. 20-30 mins ¹

¹ Turn the food several times.

² Separate any defrosted parts when turning.

³ Carefully stir the food occasionally.

⁴ Remove all packaging.

⁵ Only defrost cakes without icing, whipped cream, gelatine or custard.

⁶ Separate the pieces of cake.

1. Before using the appliance, remove all unnecessary cookware from the cooking compartment.
2. Select the desired food from the recommended settings.
3. Place the food in suitable cookware.
4. Place the cookware in the middle on the cooking compartment floor.
The food can then absorb the microwaves from all sides.
5. Use the recommended settings when configuring the appliance settings.
Set the shorter cooking time first. If necessary, increase the cooking time.
6. Use an oven cloth or oven gloves when taking hot cookware out of the cooking compartment.

15.2 Defrosting, heating and cooking with the microwave

Recommended settings for defrosting, heating and cooking with the microwave.

The cooking time depends on the cookware, as well as on the temperature, composition and quantity of the food. This is why ranges are given in the tables. Begin with the lower value and, if necessary, use a higher setting the next time. It may be that you have different quantities from those specified in the tables. There is a rule of thumb for this: Double the amount = almost double the time, half the amount = half the time.

Food	Weight	Microwave output	Cooking time
Whole pieces of meat, on the bone or boned	1500 g	1. 180 W 2. 90 W	1. 25 mins ¹ 2. 25-30 mins ¹
Meat in pieces or slices	200 g	1. 180 W 2. 90 W	1. 5-8 mins ² 2. 5-10 mins
Meat in pieces or slices	500 g	1. 180 W 2. 90 W	1. 8-11 mins ² 2. 10-15 mins
Meat in pieces or slices	800 g	1. 180 W 2. 90 W	1. 10 mins ² 2. 10-15 mins
Minced meat, mixed	200 g	90 W	10-15 mins ¹
Minced meat, mixed	500 g	1. 180 W 2. 90 W	1. 5 mins ¹ 2. 10-15 mins
Minced meat, mixed	1000 g	1. 180 W 2. 90 W	1. 15 mins ¹ 2. 10-15 mins
Poultry or poultry portions	600 g	1. 180 W 2. 90 W	1. 8 mins ¹ 2. 10-15 mins
Poultry or poultry portions	1200 g	1. 180 W 2. 90 W	1. 15 mins ¹ 2. 20-25 mins
Fish fillet, fish steak or fish slices	400 g	1. 180 W 2. 90 W	1. 5 mins 2. 10-15 mins
Whole fish	300 g	1. 180 W 2. 90 W	1. 3 mins ¹ 2. 10-15 mins
Whole fish	600 g	1. 180 W 2. 90 W	1. 8 mins ¹ 2. 15-20 mins
Vegetables, e.g. peas	300 g	180 W	10-15 mins ³
Fruit, e.g. raspberries	300 g	180 W	6-9 mins ³
Fruit, e.g. raspberries	500 g	1. 180 W 2. 90 W	1. 8 mins 2. 5-10 mins ³
Butter, defrosting ⁴	125 g	1. 180 W 2. 90 W	1. 1 mins ⁴ 2. 1-2 mins
Butter, defrosting ⁴	250 g	1. 180 W 2. 90 W	1. 1 mins 2. 2-4 mins
Loaf of bread	500 g	1. 180 W 2. 90 W	1. 8 mins ¹ 2. 5-10 mins
Loaf of bread	1000 g	1. 180 W 2. 90 W	1. 12 mins ¹ 2. 10-20 mins
Cakes, plain, e.g. sponge cake ^{5,6}	500 g	90 W	10-15 mins
Cakes, plain, e.g. sponge cake ^{5,6}	750 g	1. 180 W 2. 90 W	1. 5 mins 2. 10-15 mins
Cakes, moist, e.g. fruit flan, cheesecake ⁵	500 g	1. 180 W 2. 90 W	1. 5 mins 2. 15-20 mins
Cakes, moist, e.g. fruit flan, cheesecake ⁵	750 g	1. 180 W 2. 90 W	1. 7 mins 2. 15-20 mins

¹ Turn the food several times.

² Separate any defrosted parts when turning.

³ Carefully stir the food occasionally.

⁴ Remove all packaging.

⁵ Only defrost cakes without icing, whipped cream, gelatine or custard.

⁶ Separate the pieces of cake.

Tips on defrosting, heating and cooking with the microwave next time

Follow these tips for good results when defrosting, heating and cooking with the microwave.

Issue	Tip
Your food is too dry.	<ul style="list-style-type: none"> Reduce the cooking time or select a lower microwave power setting. Cover the food and add more liquid.
The time has elapsed but the food is not defrosted, hot or cooked.	Increase the cooking time. Large quantities and food which is piled high require longer times.

Issue	Tip
The time has elapsed but your food is not yet done on the inside, but is already overdone on the outside.	<ul style="list-style-type: none"> Stir while cooking. Reduce the microwave power setting and increase the cooking time.
After defrosting, the poultry or meat is defrosted on the outside but not defrosted in the middle.	<ul style="list-style-type: none"> Reduce the microwave power setting. Turn large pieces of frozen food several times.

15.3 Heating

With your appliance you can heat food.

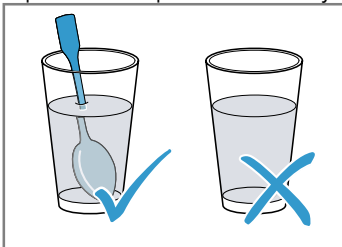
Heating food in the microwave

Observe the recommended settings for using the microwave to heat food.

⚠ WARNING – Risk of scalding!

There is a possibility of delayed boiling when a liquid is heated. This means that the liquid reaches the boiling temperature without the usual steam bubbles rising to the surface. Exercise caution even when only gently shaking the container. The hot liquid may suddenly boil over and splatter.

- Always place a spoon in the container when heating liquids. This prevents delayed boiling.



ATTENTION!

Metal touching the wall of the cooking compartment will cause sparks, which may damage the appliance or the inner door pane.

- Metal (e.g. a spoon in a glass) must be kept at least 2 cm from the cooking compartment walls and the inside of the door.

Note:

Cooking tips

- Use microwave-safe cookware with a lid. You can also use a plate or microwave film to cover the dish. Take ready meals out of the packaging.
- Place the cookware on the bottom of the cooking compartment.
- Turn or stir the food two or three times during the defrosting time.
- After defrosting, leave the food to rest for 2–5 minutes.
- The food transfers heat to the cookware. The cookware can become very hot. Use oven gloves.

Food	Weight	Microwave output	Cooking time
Menu, plated meal, ready meal (2-3 components)		600 W	5-8 mins
Beverages ¹	125 ml	900 W	0.5-1 min ^{2, 3}
Beverages ¹	200 ml	900 W	1-2 mins ^{2, 3}
Beverages ¹	500 ml	900 W	3-4 mins ^{2, 3}
Baby food, e.g. baby bottles ⁴	50 ml	360 W	Approx. 0.5 min ^{5, 6}

¹ Place a spoon in the glass.

² Do not overheat alcoholic drinks.

³ Check the food occasionally.

⁴ Heat up baby food without the teat or lid.

⁵ Always shake the food well after heating.

⁶ Always check the temperature.

⁷ Separate the slices of meat.

Food	Weight	Microwave output	Cooking time
Baby food, e.g. baby bottles ⁴	100 ml	360 W	0.5-1 min ^{4, 6}
Baby food, e.g. baby bottles ⁴	200 ml	360 W	1-2 mins ^{4, 6}
Soup, 1 cup	175 g each	600 W	1-2 mins
Soup, 2 cups	175 g each	600 W	2-3 mins
Meat in sauce ⁷	500 g	600 W	7-10 mins
Stew	400 g	600 W	5-7 mins
Stew	800 g	600 W	7-8 mins
Vegetables, 1 portion	150 g	600 W	2-3 mins
Vegetables, 2 portions	300 g	600 W	3-5 mins

¹ Place a spoon in the glass.

² Do not overheat alcoholic drinks.

³ Check the food occasionally.

⁴ Heat up baby food without the teat or lid.

⁵ Always shake the food well after heating.

⁶ Always check the temperature.

⁷ Separate the slices of meat.

Heating frozen food in the microwave

Observe the recommended settings for using the microwave to heat food.

Note:

Cooking tips

- Use microwave-safe cookware with a lid. You can also use a plate or microwave film to cover the dish. Take ready meals out of the packaging.
- Distribute the food flat in the cookware. Food which lies flat cooks more quickly than food which is piled high.
- Place the cookware on the bottom of the cooking compartment.
- The food transfers heat to the cookware. The cookware can become very hot. Use oven gloves.
- Turn or stir the food two or three times during the defrosting time.
- After defrosting, leave the food to rest for 2–5 minutes.
- The food transfers heat to the cookware. The cookware can become very hot. Use oven gloves.
- The food will retain most of its natural flavor. Use salt and seasonings sparingly.

Food	Weight	Microwave output	Cooking time
Menu, plated meal, ready meal (2-3 components)	300-400 g	600 W	8-13 mins
Soup	400 g	600 W	8-12 mins
Stew	500 g	600 W	10-15 mins
Slices or pieces of meat in sauce, e.g. goulash	500 g	600 W	10-15 mins
Fish, e.g. fillet steaks	400 g	600 W	10-15 mins
Bakes, e.g. lasagne, cannelloni	450 g	600 W	10-15 mins
Side dishes, e.g. rice, pasta ¹	250 g	600 W	3-7 mins
Side dishes, e.g. rice, pasta ¹	500 g	600 W	8-12 mins
Vegetables, e.g. peas, broccoli, carrots ¹	300 g	600 W	7-11 mins

¹ Add a little liquid to the food.

² Cook the food without any additional water.

Food	Weight	Microwave output	Cooking time
Vegetables, e.g. peas, broccoli, carrots ¹	600 g	600 W	14-17 mins
Creamed spinach ²	450 g	600 W	10-15 mins

¹ Add a little liquid to the food.

² Cook the food without any additional water.

15.4 Cooking

With your appliance you can cook food.

Cooking with the microwave

Note:

Cooking tips

- Place the cookware on the bottom of the cooking compartment.
- Distribute the food flat in the cookware. Food which lies flat cooks more quickly than food which is piled high.
- Use microwave-safe cookware with a lid. You can also use a plate or a microwave cover to cover the dish. Take ready meals out of the packaging.
- The food will retain most of its natural flavor. Use salt and seasonings sparingly.
- After heating, leave the food to rest for 2 to 5 minutes.
- The food transfers heat to the cookware. The cookware can become very hot. Use oven gloves.
- Even if the packaging specifies a higher output setting than 600 watts to cook the food, still use a maximum of 600 watts. If necessary, extend the specified cooking time until you achieve the desired result.

Food	Weight	Microwave output setting	Cooking time
Whole chicken, fresh, without giblets ¹	1200 g	600 W	25 – 30 min.
Fish fillet, fresh	400 g	600 W	7 – 12 min.
Vegetables, fresh ^{2, 3, 4}	250 g	600 W	6 – 10 min.
Vegetables, fresh ^{2, 3, 4}	500 g	600 W	10 – 15 min.
Potatoes ^{2, 3, 4}	250 g	600 W	8 – 10 min.
Potatoes ^{2, 3, 4}	500 g	600 W	10 – 15 min.
Potatoes ^{2, 3, 4}	750 g	600 W	15 – 22 min.
Rice ⁵	125 g	1. 600 W 2. 180 W	1. 4 – 6 min. 2. 12 – 15 min.
Rice ⁵	250 g	1. 600 W 2. 180 W	1. 6 – 8 min. 2. 15 – 18 min.
Desserts, e.g. blancmange (instant) ⁴	500 ml	600 W	5 – 8 min.
Fruit, compote ⁴	500 ml	600 W	9 – 12 min.
Microwave popcorn ⁶	1 x 100 g bag	600 W	2.5 – 3.5 min.

¹ Turn the dish halfway through the cooking time.

² Cut into pieces of equal size.

³ Add a little water to the food.

⁴ Carefully stir the food occasionally.

⁵ Add double the amount of liquid.

⁶ Always place the popcorn bag on a glass plate. Follow the manufacturer's instructions.

Blancmange made from blancmange powder

WARNING – Risk of burns!

Heated food gives off heat. The cookware may become hot.

- ▶ Always use oven gloves to remove cookware or accessories from the cooking compartment.

1. Mix together one packet of blancmange powder with sugar and a little milk in a tall microwave-suitable bowl in accordance with the package instructions so that there are no lumps.
2. Add the rest of the milk and stir again.

3. Place the bowl into the cooking compartment and close the appliance door.
4. Set the appliance according to the recommended settings.

5. Only stir for the first time after 3 minutes. Then stir again every minute until it reaches the required consistency.
The cooking time depends on the temperature of the milk and the container that is used.

15.5 Test dishes

These overviews have been produced for test institutes to facilitate appliance testing in accordance with EN 60350-1:2013 or IEC 60350-1:2011 and EN 60705:2012, IEC 60705:2010.

Cooking with the microwave

Food	Microwave power setting in W	Cooking time in mins	Note:
Custard, 1000 g	1. 600 W 2. 180 W	1. 11-12 mins 2. 8-10 mins	Pyrex dish
Sponge, 475 g	600 W	7-9 mins	Pyrex dish, 22 cm diameter
Meat loaf, 900 g	600 W	25-30 mins	Pyrex dish, 28 cm diameter, long

Defrosting with the microwave

Recommended settings for using the microwave to defrost food.

Food	Microwave power setting in W	Cooking time in mins	Note:
Meat, 500 g	1. 180 W 2. 90 W or the "Defrost meat" programme	1. 8 mins 2. 7-10 mins	Pyrex dish, 24 cm diameter

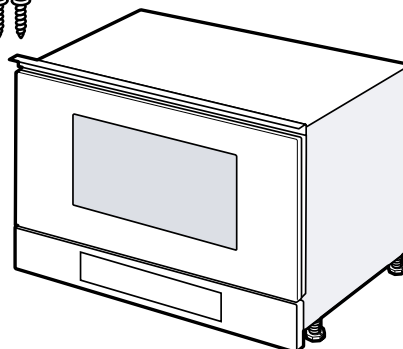
16 Installation instructions

Observe this information when installing the appliance.



16.1 Scope of delivery

After unpacking all parts, check for any damage in transit and completeness of the delivery.



⚠️ 16.2 Safe installation

Follow these safety instructions when installing the appliance.

- The appliance can only be used safely if it is correctly installed according to the safety instructions. The installer is responsible for ensuring that the appliance works perfectly at its installation location.
- Check the appliance for damage after unpacking it. Do not connect the appliance if it has been damaged in transit.
- Before starting up the appliance, remove any packaging material and adhesive film from the cooking compartment and the door.
- Proceed in accordance with the installation sheets for installing accessories.
- Fitted units must be temperature-resistant up to 90 °C, and adjacent unit fronts up to 65 °C.
- Do not install the appliance behind a decorative door or the door of a kitchen unit. There is a risk of overheating.
- Cut-out work on the units should be carried out before installing the appliance. Remove any shavings. Otherwise, the correct operation of electrical components may be adversely affected.
- Only a licensed professional may connect appliances without plugs. Damage caused by incorrect connection is not covered under the warranty.

⚠️ WARNING – Risk of injury!

Parts that are accessible during installation may have sharp edges and may lead to cutting injuries.

- ▶ Wear protective gloves

⚠️ WARNING – Risk of fire!

It is dangerous to use an extended power cord and non-approved adapters.

- ▶ Do not use extension cables or multiple socket strips.
- ▶ If the power cord is too short, contact customer service.

16.3 Fitted units

This appliance is only intended to be fully fitted in a kitchen. It is not intended to be used as a tabletop appliance or within a cupboard.

The fitted cabinet must not have a back panel behind the appliance. The minimum installation height is 850 mm.

Ventilation slots and intake openings must not be covered.

16.4 Electrical connection

In order to safely connect the appliance to the electrical system, follow these instructions.

⚠️ WARNING – Danger: Magnetism!

The appliance contains permanent magnets. These may affect electronic implants, e.g. heart pacemakers or insulin pumps.

- ▶ Persons with electronic implants must stay at least 10 cm away from the appliance.

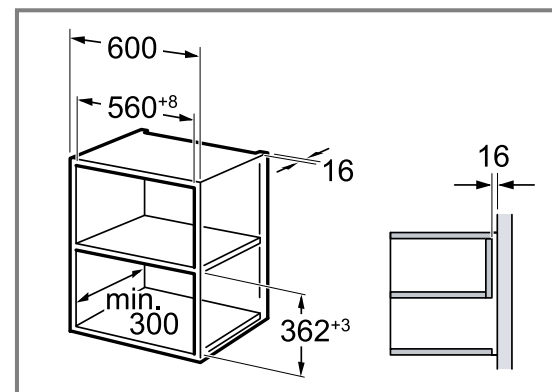
⚠️ WARNING – Risk of fire!

The use of multi-plugs, multiple connectors or extension cables may cause a fire.

- ▶ Never use multi-plugs, multiple connectors or extension cables.
- The appliance is fitted with a plug and must only be connected to a protective contact socket which has been correctly installed.
- The fuse protection must correspond to the power rating specified on the appliance's rating plate and to local regulations.
- A socket must only be installed by a qualified electrician, and in accordance with the appropriate regulations.
- If the plug is no longer accessible following installation, an all-pole isolating switch with a contact distance of at least 3 mm must be present.

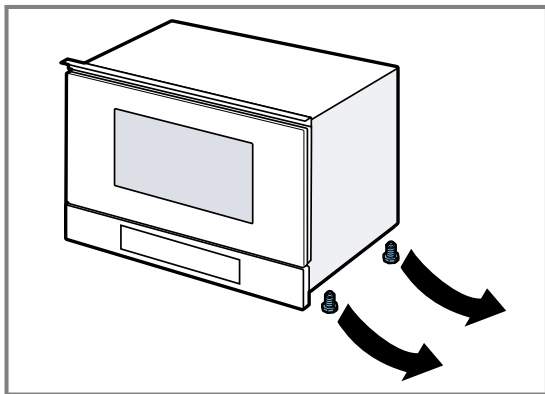
16.5 Installation in an upper cabinet

Observe the installation dimensions and the safety clearances in a tall unit.



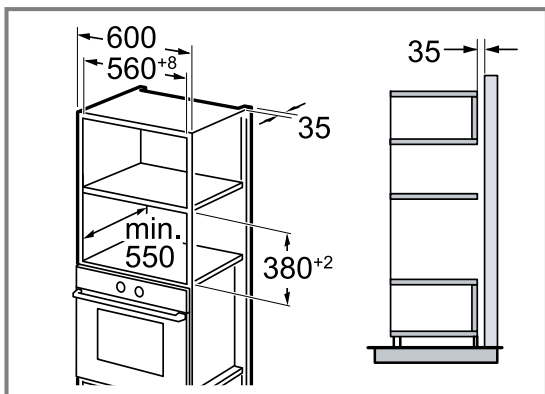
Do not fit the appliance too high up; it must be possible for accessories to be removed easily.

Remove the feet.

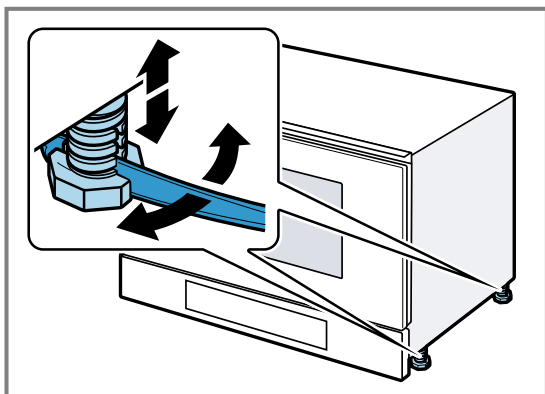


16.6 Installation in a tall unit

Observe the installation dimensions and the safety clearances in a tall unit.

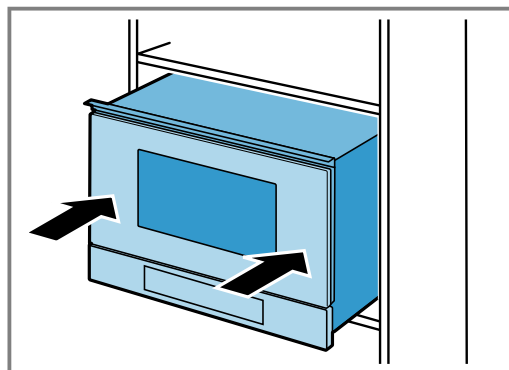


Do not fit the appliance too high up; it must be possible for accessories to be removed easily. Fit the feet.



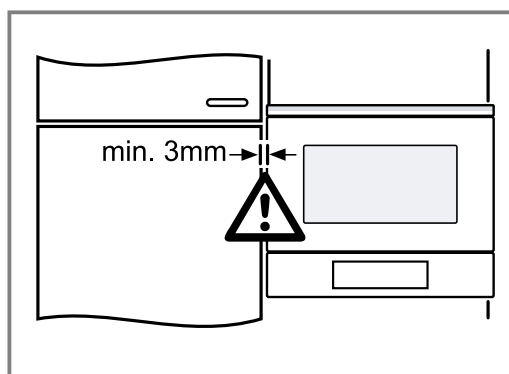
16.7 Installing the appliance

1. Push the appliance in fully.



Do not kink or trap the connection cable, or route it over sharp edges.

2. Check the clearance to the adjacent appliances.

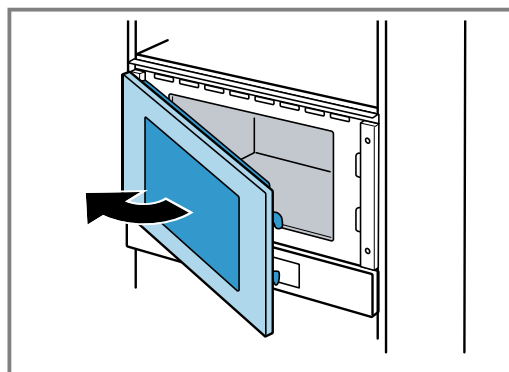


3. **ATTENTION!**

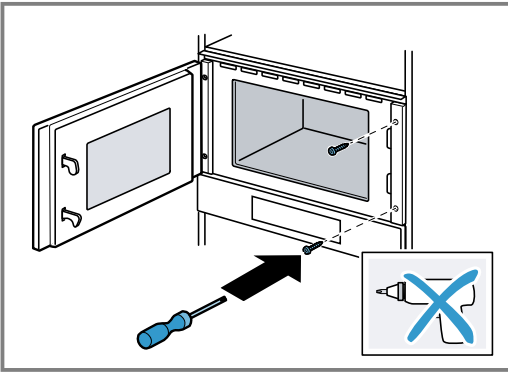
When opening the appliance door, the appliance may tilt forwards.

- ▶ Hold the appliance in position when opening the appliance door.

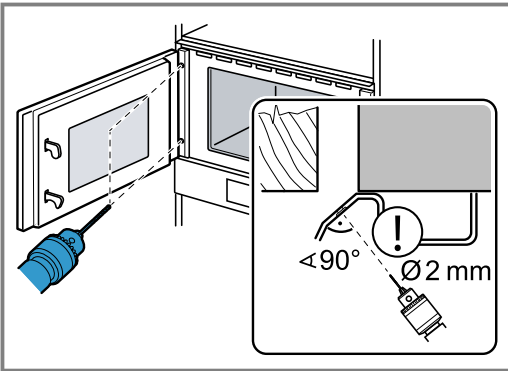
Open the appliance door slowly.



4. Screw the appliance to the unit on the opposite side to the hinges.



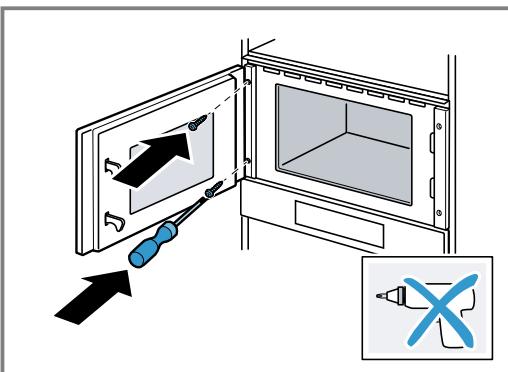
5. Pre-drill the screw holes in the unit on the side with the hinges.



Cover the door hinges.

Use a wood drill with a 2 mm diameter.

6. Remove any shavings from the cooking compartment.
7. Screw the appliance to the unit on the side with the hinges.



8. Remove any packaging material and adhesive film from the cooking compartment and the door.

16.8 Removing the appliance

1. Disconnect the appliance from the power supply.
2. Undo the fastening screws.
3. Lift the appliance slightly and pull it out completely.

Tabla de contenidos

MANUAL DE USUARIO

1	Seguridad	27
2	Evitar daños materiales	31
3	Protección del medio ambiente y ahorro	31
4	Familiarizándose con el aparato	32
5	Antes de usar el aparato por primera vez	34
6	Manejo básico	34
7	Microondas.....	35
8	Programas	36
9	Reloj avisador	38
10	Ajustes básicos.....	38
11	Cuidados y limpieza.....	39
12	Solucionar pequeñas averías.....	41
13	Eliminación.....	42
14	Servicio de Asistencia Técnica	42
15	Así se consigue.....	43
16	INSTRUCCIONES DE MONTAJE	48
16.2	Montaje seguro	49

1 Seguridad

Tenga en cuenta las siguientes indicaciones de seguridad.

1.1 Advertencias de carácter general

- Lea atentamente estas instrucciones.
- Conservar las instrucciones y la información del producto para un uso posterior o para futuros propietarios.
- No conecte el aparato en el caso de que haya sufrido daños durante el transporte.

1.2 Uso conforme a lo prescrito

La conexión de aparatos sin enchufe solo puede ser efectuada por personal especializado y autorizado. Los daños provocados por una conexión incorrecta no están cubiertos por la garantía.

Solamente un montaje profesional conforme a las instrucciones de montaje puede garantizar un uso seguro del aparato. El instalador es responsable del funcionamiento perfecto en el lugar de instalación.

Utilizar el aparato únicamente:

- para preparar bebidas y comidas.
- bajo la supervisión de una persona. Supervisar continuamente procesos de cocción breves.
- para uso doméstico y aplicaciones similares, como por ejemplo: en cocinas para empleados en tiendas, oficinas y otras áreas comerciales; en propiedades rurales; por parte de clientes en hoteles y otros alojamientos; en pensiones solo con desayuno.
- hasta una altura de 4000 m sobre el nivel del mar.

Este aparato cumple con la normas EN 55011 y CISPR 11. Se trata de un producto del grupo 2, clase B. El grupo 2 indica que los microondas se fabrican con el fin de calentar alimentos. La clase B indica que el aparato es apropiado para su uso privado en el ámbito doméstico.

1.3 Limitación del grupo de usuarios

Este aparato podrá ser usado por niños a partir de 8 años y por personas con limitaciones físicas, sensoriales o mentales, o que carezcan de conocimientos o de experiencia, siempre que cuenten con la supervisión de una persona responsable de su seguridad o hayan sido instruidos previamente en su uso y hayan comprendido los peligros que pueden derivarse del mismo.

No deje que los niños jueguen con el aparato.

La limpieza y el cuidado del aparato a cargo del usuario no podrán ser realizados por niños a no ser que tengan al menos 15 años de edad y que cuenten con la supervisión de una persona adulta.

Mantener a los niños menores de 8 años alejados del aparato y del cable de conexión.

1.4 Uso seguro

Introducir los accesorios correctamente en el compartimento de cocción.

⚠ ADVERTENCIA – ¡Riesgo de incendio!

Los objetos inflamables almacenados en el compartimento de cocción pueden prenderse fuego.

- ▶ No introducir objetos inflamables en el compartimento de cocción.
- ▶ En caso de que salga humo del interior del aparato, apagar el aparato o tirar del enchufe y mantener la puerta cerrada para apagar cualquier llama que pudiera haber. Los restos de comida, grasa y jugo de asado pueden arder.
- ▶ Antes de poner en funcionamiento, eliminar la suciedad gruesa del compartimento de cocción, de la resistencia y de los accesorios.

⚠ ADVERTENCIA – ¡Riesgo de quemaduras!

Los accesorios y la vajilla se calientan mucho.

- ▶ Utilizar siempre agarradores para sacar los accesorios y la vajilla del compartimento de cocción.

Los vapores de alcohol pueden inflamarse cuando el interior del horno está caliente.

- ▶ Si se utilizan bebidas alcohólicas de alta graduación para cocinar, debe hacerse en pequeñas cantidades.
- ▶ Abrir la puerta del aparato con precaución.

⚠ ADVERTENCIA – ¡Riesgo de quemaduras por líquidos calientes!

Las partes accesibles se calientan durante el funcionamiento.

- ▶ No tocar nunca las partes calientes.
- ▶ Mantener fuera del alcance de los niños. Al abrir la puerta del aparato puede salir vapor caliente. Tenga presente que, según la temperatura, no puede verse el vapor.
- ▶ Abrir la puerta del aparato con precaución.
- ▶ Mantener fuera del alcance de los niños. Si se introduce agua al compartimento de cocción puede generarse vapor de agua caliente.
- ▶ Nunca verter agua en el compartimento de cocción caliente.

⚠ ADVERTENCIA – ¡Riesgo de lesiones!

Si el cristal de la puerta del aparato está dañado, puede fracturarse.

- ▶ No utilizar productos de limpieza abrasivos ni rascadores metálicos afilados para limpiar el cristal de la puerta del aparato, ya que pueden rayar la superficie.

Las bisagras de la puerta del aparato se mueven al abrir y cerrar la puerta y podrían provocar daños.

- ▶ No tocar la zona de las bisagras. Las piezas interiores de la puerta pueden tener bordes afilados.

- ▶ Llevar guantes de protección.

⚠ ADVERTENCIA – ¡Riesgo de descarga eléctrica!

Las reparaciones inadecuadas son peligrosas.

- ▶ Solo el personal especializado puede realizar reparaciones e intervenciones en el aparato.
- ▶ Utilizar únicamente piezas de repuesto originales para la reparación del aparato.
- ▶ Si el cable de conexión de red de este aparato resulta dañado, debe sustituirlo el fabricante, el Servicio de Asistencia Técnica o una persona cualificada a fin de evitar posibles situaciones de peligro.

Un aislamiento incorrecto del cable de conexión de red es peligroso.

- ▶ Evitar siempre que el cable de conexión de red entre en contacto con piezas calientes del aparato o fuentes de calor.
- ▶ Evite siempre que el cable de conexión de red entre en contacto con esquinas o bordes afilados.
- ▶ No doble, aplaste ni modifique nunca el cable de conexión de red.

La infiltración de humedad puede provocar una descarga eléctrica.

- ▶ No utilizar limpiadores por chorro de vapor ni de alta presión para limpiar el aparato.

Un aparato dañado o un cable de conexión defectuoso son peligrosos.

- ▶ No ponga nunca en funcionamiento un aparato dañado.
- ▶ No hacer funcionar nunca un aparato con una superficie agrietada o rota.
- ▶ No tirar nunca del cable de conexión a la red eléctrica para desenchufar el aparato. Desenchufar siempre el cable de conexión de red de la toma de corriente.

- ▶ Si el aparato o el cable de conexión de red están dañados, desenchufar inmediatamente el cable de conexión de red o desconectar el interruptor automático del cuadro eléctrico.
- ▶ Llame al Servicio de Asistencia Técnica.
→ *Página 42*

⚠ ADVERTENCIA – ¡Peligro: magnetismo!

En el panel de mando o en los propios mandos hay instalados imanes permanentes. Estos pueden repercutir en el correcto funcionamiento de implantes electrónicos como marcapasos o bombas de insulina.

- ▶ Los portadores de implantes electrónicos deben mantener una distancia mínima de 10 cm respecto al panel de mando.

⚠ ADVERTENCIA – ¡Riesgo de asfixia!

Los niños pueden ponerse el material de embalaje por encima de la cabeza, o bien enrollarse en él, y asfixiarse.

- ▶ Mantener el material de embalaje fuera del alcance de los niños.
- ▶ No permita que los niños jueguen con el embalaje.

Si los niños encuentran piezas de tamaño reducido, pueden aspirarlas o tragarlas y asfixiarse.

- ▶ Mantener las piezas pequeñas fuera del alcance de los niños.
- ▶ No permita que los niños jueguen con piezas pequeñas.

1.5 Microondas

LEER ATENTAMENTE LAS INDICACIONES DE SEGURIDAD IMPORTANTES Y CONSERVARLAS PARA SU USO FUTURO

⚠ ADVERTENCIA – ¡Riesgo de incendio!

Un uso del aparato diferente al especificado puede ser peligroso y provocar daños. Por ejemplo, en caso de calentar zapatillas o almohadillas rellenas de semillas o granos, estas pueden incendiarse incluso al cabo de unas horas.

- ▶ No utilizar nunca el aparato para secar alimentos o ropa.
- ▶ No utilizar nunca el aparato para calentar zapatillas, cojines de semillas o granos, esponjas, bayetas húmedas o cosas similares.
- ▶ Utilizar el aparato únicamente para preparar alimentos y bebidas.

Los alimentos y sus envoltorios y envases pueden incendiarse.

- ▶ No calentar alimentos en envases de conservación del calor.
- ▶ No calentar sin vigilancia alimentos en recipientes de plástico, papel u otros materiales inflamables.
- ▶ No programar el microondas a una potencia o duración demasiado elevadas. Atenerse a las indicaciones de estas instrucciones de uso.
- ▶ No secar alimentos con el microondas.
- ▶ Los alimentos con poco contenido de agua, como, p. ej., el pan, no se deben descongelar o calentar a demasiada potencia de microondas o durante demasiado tiempo.

El aceite de mesa puede inflamarse.

- ▶ No calentar aceite de mesa con el microondas.

⚠ ADVERTENCIA – ¡Riesgo de explosión!

Los recipientes herméticamente cerrados con líquidos u otros alimentos pueden explotar fácilmente.

- ▶ No calentar nunca líquidos u otros alimentos en recipientes herméticamente cerrados.

⚠ ADVERTENCIA – ¡Riesgo de quemaduras!

Los alimentos con cáscara o piel dura pueden reventar durante el calentamiento o incluso una vez finalizado.

- ▶ No cocer los huevos con la cáscara ni calentar huevos duros con cáscara.
- ▶ No cocer crustáceos ni animales con cáscara.
- ▶ A los huevos fritos y los huevos al plato primero se les debe pinchar la yema.
- ▶ En los alimentos con la piel dura, como, p. ej., manzanas, tomates, patatas o salchichas, la piel puede reventar. Antes de calentarlos se debe pinchar la cáscara o la piel.

El calor no se distribuye uniformemente en los alimentos para bebés.

- ▶ No calentar alimentos para bebés en recipientes tapados.
- ▶ Retirar siempre la tapa o la tetina.
- ▶ Remover o agitar bien tras el calentamiento.
- ▶ Comprobar la temperatura antes de dar el alimento al bebé.

Las comidas calentadas emiten calor. Los recipientes que las contienen pueden estar muy calientes.

- ▶ Utilizar siempre un agarrador para sacar la vajilla o los accesorios.

Los envoltorios sellados de algunos alimentos pueden estallar.

- ▶ Observar siempre las indicaciones del embalaje.
- ▶ Utilizar siempre un agarrador para sacar los alimentos del compartimento de cocción.

Las partes accesibles se calientan durante el funcionamiento.

- ▶ No tocar nunca las partes calientes.
- ▶ Mantener fuera del alcance de los niños.

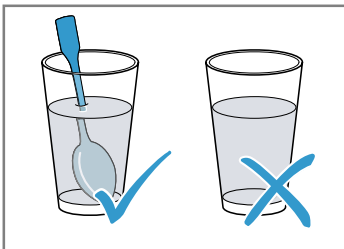
Un uso del aparato diferente al especificado puede ser peligroso. Por ejemplo, las zapatillas, cojines de semillas o granos, esponjas, bayetas húmedas o cosas similares sobrecalentadas pueden ocasionar quemaduras

- ▶ No utilizar nunca el aparato para secar alimentos o ropa.
- ▶ No utilizar nunca el aparato para calentar zapatillas, cojines de semillas o granos, esponjas, bayetas húmedas o cosas similares.
- ▶ Utilizar el aparato únicamente para preparar alimentos y bebidas.

⚠ ADVERTENCIA – ¡Riesgo de quemaduras por líquidos calientes!

Al calentar líquidos puede producirse un retardo en la ebullición. Esto quiere decir que se puede alcanzar la temperatura de ebullición sin que aparezcan las burbujas de vapor habituales. Proceder con precaución cuando el recipiente se agita ligeramente. El líquido caliente puede empezar a hervir de repente y a salpicar.

- ▶ Colocar siempre una cuchara en el recipiente al calentar. De esta manera se evita un retardo en la ebullición.



⚠ ADVERTENCIA – ¡Riesgo de lesiones!

La vajilla no adecuada para el microondas puede reventar. Los recipientes de porcelana o cerámica pueden presentar finos orificios en asas y tapas. Estos orificios ocultan huecos. La posible humedad que haya penetrado en estos huecos puede hacer estallar el recipiente.

- ▶ Utilizar exclusivamente una vajilla adecuada para el microondas.

La vajilla y los recipientes de metal o con adornos metálicos pueden provocar la formación de chispas al usarlos solo con la función microondas. A consecuencia de esto, el aparato se estropea.

- ▶ No utilizar nunca recipientes de metal con la función microondas.
- ▶ Utilizar exclusivamente una vajilla adecuada para el microondas.

⚠ ADVERTENCIA – ¡Riesgo de descarga eléctrica!

El aparato funciona con alta tensión.

- ▶ No retirar la carcasa del aparato.

⚠ ADVERTENCIA – ¡Riesgo de daños graves para la salud!

Una limpieza deficiente puede deteriorar la superficie del aparato, reducir su vida útil y provocar situaciones peligrosas, como fugas de energía del microondas.

- ▶ Limpiar el aparato con regularidad y retirar inmediatamente los restos de alimentos.
- ▶ Mantener siempre limpios el compartimento de cocción, la puerta y el tope de la puerta.

→ "Cuidados y limpieza", Página 39

No poner nunca en marcha el aparato si la puerta está dañada. Puede producirse un escape de energía de microondas.

- ▶ No utilizar el aparato si la puerta o el marco de plástico de la puerta están dañados.
- ▶ Solo podrá repararlo el Servicio de Asistencia Técnica.

En un aparato sin carcasa la energía de microondas sale al exterior.

- ▶ Nunca se debe retirar la carcasa.
- ▶ Llamar al Servicio de Asistencia Técnica cuando sea necesario realizar trabajos de mantenimiento o reparación.

2 Evitar daños materiales

2.1 En general

¡ATENCIÓN!

Los vapores de alcohol pueden inflamarse cuando el compartimento de cocción está caliente y provocar daños permanentes en el aparato. La acumulación de gases puede abrir de golpe la puerta del aparato, que podría caerse. Los cristales de la puerta pueden romperse y hacerse añicos. La insuficiencia de presión generada puede deformar notablemente del compartimento de cocción hacia el interior.

- ▶ No calentar bebidas alcohólicas (de más de 15 % en vol.), sin diluir (p. ej., añadidas o vertidas en los alimentos).

La humedad acumulada en el compartimento de cocción durante un tiempo prolongado puede provocar corrosión.

- ▶ Limpiar el agua de condensación después de cocinar a fuego lento.
- ▶ No conservar alimentos húmedos durante un período prolongado en el compartimento de cocción cerrado.
- ▶ No conservar ningún alimento dentro del compartimento de cocción.

La puerta del aparato puede resultar dañada si se utiliza la puerta del aparato como asiento o superficie de almacenamiento.

- ▶ No apoyarse, sentarse ni colgarse de la puerta del aparato.

Según el tipo de aparato, los accesorios pueden rayar el cristal de la puerta al cerrarla.

- ▶ Introducir los accesorios en el compartimento de cocción hasta el tope.

2.2 Microondas

Tener en cuenta estas indicaciones al utilizar el microondas.

¡ATENCIÓN!

Si el metal toca la pared del compartimento de cocción, se generan chispas que pueden dañar el aparato o destrozarse el cristal interior de la puerta.

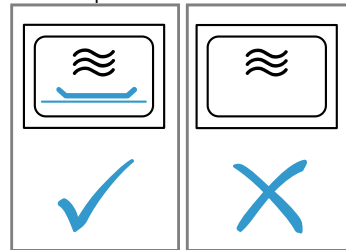
- ▶ Los metales, p. ej. la cuchara en un vaso, deben estar separados al menos 2 cm de las paredes del horno y de la parte interior de la puerta del horno.

Las bandejas de aluminio pueden generar chispas en el aparato. El aparato se daña debido a las chispas que se forman.

- ▶ No utilizar bandejas de aluminio en el aparato.

El funcionamiento del aparato sin alimentos provoca una sobrecarga del mismo.

- ▶ Nunca poner en marcha el microondas sin alimentos dentro. Solo se permite para probar brevemente un recipiente.



Preparar palomitas de maíz varias veces consecutivas en el horno microondas a una potencia del microondas demasiado alta puede provocar daños en el compartimento de cocción.

- ▶ Dejar que transcurran varios minutos entre cada preparación para que se enfríe el aparato.
- ▶ No ajustar nunca la potencia del microondas a un nivel demasiado alto.
- ▶ Utilizar una potencia máxima de 600 W.
- ▶ Colocar siempre la bolsa de palomitas sobre un plato de cristal.

3 Protección del medio ambiente y ahorro

3.1 Eliminación del embalaje

Los materiales del embalaje son respetuosos con el medio ambiente y reciclables.

- ▶ Desechar las diferentes piezas separadas según su naturaleza.



Eliminar el embalaje de forma ecológica.

3.2 Ahorro de energía

Si tiene en cuenta estas indicaciones, su aparato consumirá menos corriente.

Ocultar la hora en el modo preparado.

- El aparato reduce el consumo de energía en el modo preparado.

Nota:

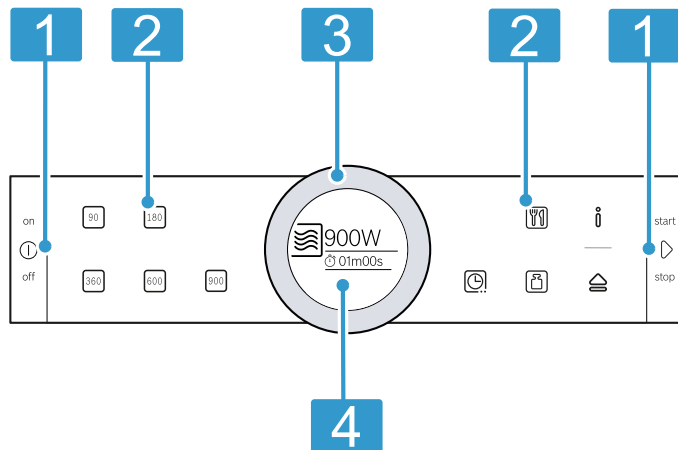
El aparato requiere:

- en funcionamiento con la pantalla conectada, máx. 1 W
- en funcionamiento con la pantalla desconectada, máx. 0,5 W

4 Familiarizándose con el aparato

4.1 Panel de mando

Mediante el panel de mando se pueden ajustar todas las funciones del aparato y recibir información sobre el estado de funcionamiento. Según el modelo de aparato pueden variar pequeños detalles de la imagen, p. ej., el color y la forma.



- 1 Teclas**
Las teclas cuentan con un punto de presión. Pulsar las teclas para accionarlas.
- 2 Campos táctiles**
Los campos táctiles permiten ajustar directamente distintas funciones.
- 3 Mando circular**
El mando circular se puede girar ilimitadamente hacia la izquierda o la derecha. Pulsar suavemente sobre el mando circular y moverlo con el dedo en la dirección deseada.
- 4 Pantalla**
En la pantalla se muestran los valores de ajuste actual, las posibilidades de selección y los textos con indicaciones.

Teclas

Seleccionar distintas funciones directamente con las teclas.

Símbolo	Tecla	Aplicación
Ⓢ	on/off	Conectar o desconectar el aparato
▷	Inicio/parada	Iniciar o interrumpir el funcionamiento

Campos táctiles

Los campos táctiles son superficies sensibles al tacto. Para seleccionar una función, pulsar el campo correspondiente.

Símbolo	Campo táctil	Aplicación
90	Potencia del microondas	Ajuste de 90 W
180	Potencia del microondas	Ajuste de 180 W
360	Potencia del microondas	Ajuste de 360 W
600	Potencia del microondas	Ajuste de 600 W
900	Potencia del microondas	Ajuste de 900 W
⌚	Funciones de programación del tiempo	Selección de las funciones de tiempo
🍲	Programas	Selección de programa
📏	Peso	Selección de peso en los programas
ℹ️	Información	Mostrar indicaciones o acceder a los ajustes básicos con una pulsación larga (aprox. 3 s)
🚪	Apertura automática de puerta	Abrir la puerta del aparato

Nota: Si ℹ️ se ilumina, pulsar ℹ️ para mostrar la información durante unos segundos.

Se ilumina en rojo el campo táctil que aparece destacado en pantalla o cuyo valor puede modificarse en la misma.

Mando circular

Con el mando circular se modifican los valores ajustados que aparecen en la pantalla.

En la mayoría de las listas de selección, p. ej. programas, una vez finalizado el último punto, comienza el primero de nuevo. En algunas de las listas de selección, p. ej. en la duración, se debe volver a girar el mando circular hacia atrás cuando se haya alcanzado el valor mínimo o máximo.

Panel indicador

En el panel indicador se muestran los valores ajustados en ese momento o las posibilidades de selección.

Pantalla	Descripción
Resaltado	El valor resaltado se puede modificar directamente sin que se tenga que seleccionar previamente. Después de iniciar el funcionamiento, la duración aparecerá siempre resaltada.
Aumento de tamaño	Si se modifica el valor resaltado con el mando circular, en la pantalla se muestra únicamente este valor aumentado.

Línea circular

La línea circular está situada en la parte exterior de la pantalla.

Cuando se modifica un valor, la línea circular muestra la posición del cursor en la lista de selección.

Según la zona de programación y la longitud de la lista de selección, la línea circular es continua o discontinua.

Cuando el aparato está en funcionamiento, la línea circular indica el avance y se va completando en color rojo en intervalos de segundos. Transcurrido cada minuto completo, los segmentos comienzan a rellenarse desde el principio. Si la duración sigue en curso, se apaga un segmento de la línea a cada segundo.

4.2 Compartimento de cocción

Las funciones del compartimento de cocción facilitan el funcionamiento del aparato.

Iluminación interior

Al abrir la puerta del aparato, se enciende la iluminación interior. Si la puerta permanece abierta más de 5 min. aprox., se vuelve a apagar la iluminación interior.

En la mayoría de los tipos de calentamiento y funciones, la iluminación interior está activa durante el funcionamiento. Cuando el funcionamiento ha finalizado, la iluminación interior se apaga.

Ventilador

El ventilador se enciende y se apaga según sea necesario. El aire caliente escapa por la abertura de ventilación de la puerta del aparato.

¡ATENCIÓN!

Si se cubren las rendijas de ventilación, el aparato se sobrecalienta.

- ▶ No obstruir la abertura de ventilación.

Para que el interior del horno se enfríe con mayor rapidez tras utilizarlo, el ventilador sigue funcionando durante un tiempo determinado. Si el aparato está utilizando la función microondas, el aparato se queda frío y el ventilador se enciende. El ventilador puede seguir funcionando incluso si la función microondas ya ha finalizado.

Agua de condensación

Cuando se cocina a fuego lento, puede formarse agua de condensación en el compartimento de cocción y en la puerta del aparato. El agua de condensación es algo normal y no afecta al funcionamiento del aparato. Limpiar el agua de condensación después de cocinar a fuego lento.

Pulsador de apertura automática de la puerta

Al accionar el pulsador de apertura automática de puerta, la puerta del aparato se abre. La puerta del aparato se puede abrir por completo manualmente.

Notas

- Si se produce un corte en el suministro eléctrico, la apertura automática de la puerta no funciona. La puerta del aparato se puede abrir manualmente.
- Si se abre la puerta durante el funcionamiento del aparato, el programa se detiene.
- Cuando la puerta del aparato se cierra, el funcionamiento no se reanuda automáticamente. Poner el aparato en marcha.
- Si el aparato permanece desconectado durante un largo período de tiempo, la puerta se abrirá con una demora de tiempo.

5 Antes de usar el aparato por primera vez

Aplicar los ajustes de la primera puesta en marcha.
Limpiar el aparato y los accesorios.


5.1 Primera puesta en marcha

Tras la conexión de corriente o tras un largo corte en el suministro eléctrico, aparecen los ajustes para la primera puesta en marcha del aparato.


Notas

- Estos ajustes pueden modificarse en cualquier momento en los ajustes básicos.
→ "Ajustes básicos", *Página 38*
- Abrir y cerrar la puerta del aparato antes de la primera puesta en marcha y después de cada corte en el suministro eléctrico para realizar la comprobación interna.

Ajustar el idioma

1. Configurar el idioma con el mando circular.
 2. Pulsar .
- ✓ La pantalla muestra el siguiente ajuste.

Ajustar la hora

1. Ajustar la hora con el mando circular.
 2. Pulsar .
- ✓ En la pantalla aparece la indicación de que la primera puesta en marcha ha concluido.

Nota: Puede determinar en → "Ajustes básicos", *Página 38* si la pantalla debe mostrar la hora o no cuando el aparato esté apagado.



5.2 Limpiar el aparato antes de usarlo por primera vez

Limpiar el compartimento de cocción y los accesorios antes de preparar por primera vez cualquier plato.

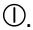
1. Asegurarse de que no haya restos de embalaje, accesorios u otros objetos en el compartimento de cocción.
2. Limpiar las superficies lisas del interior con un paño suave y húmedo.

6 Manejo básico

6.1 Conectar el aparato

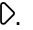
- ▶ Encender el aparato con .
- ✓ Todos los campos táctiles se iluminan de color rojo. En la pantalla se muestra el logotipo de Bosch y, a continuación, la potencia máxima del microondas.
- ✓ El aparato está listo para el funcionamiento.
- ✓ Se ilumina  en rojo.


6.2 Desconectar el aparato

- ▶ Apagar el aparato con .
- ✓ El aparato interrumpe las funciones en curso.
- ✓ En la pantalla se muestra la hora ajustada.


Nota: Apagar el aparato si no se está usando. El aparato se apaga automáticamente si ha transcurrido mucho tiempo sin que se realice ningún ajuste.

6.3 Iniciar el funcionamiento

- ▶ Iniciar el funcionamiento con .
- ✓ La pantalla muestra los ajustes.
- ✓ Aparece la línea circular y muestra el transcurso de la duración.

Nota: Si se abre la puerta del aparato mientras el aparato está en marcha, se interrumpe el funcionamiento y se detiene el transcurso del tiempo. Si se desea reanudar el funcionamiento, cerrar la puerta del aparato y pulsar .


6.4 Interrumpir el funcionamiento

1. Pulsar .
 - ✓ El aparato interrumpe el funcionamiento.
2. Para borrar los ajustes, pulsar .

Nota: Al abrir la puerta del aparato, este no interrumpe su funcionamiento. Tras interrumpir o cancelar el funcionamiento, el ventilador puede seguir funcionando.

6.5 Ajustar el modo de funcionamiento

Cuando se enciende el aparato, en la pantalla se muestra el modo de funcionamiento recomendado ajustado. Se puede iniciar directamente el modo de funcionamiento recomendado, o ajustar otro modo de funcionamiento.

1. Pulsar el campo del modo de funcionamiento deseado.
 2. Modificar la selección resaltada con el mando circular. Realizar otros ajustes si fuera necesario. Para ello, pulsar el campo correspondiente y modificar el valor con el mando circular.
 3. Pulsar .
- ✓ El aparato inicia el funcionamiento.

7 Microondas

Con el microondas, los platos se pueden cocer, calentar o descongelar con especial rapidez.

7.1 Recipientes y accesorios aptos para microondas

Para calentar los alimentos uniformemente y no dañar el aparato, utilizar siempre recipientes y accesorios adecuados.

Nota: Antes de utilizar un recipiente para el microondas, tener en cuenta las indicaciones del fabricante. En caso de duda, poner el recipiente a prueba.

Apto para microondas

Recipientes y accesorios	Motivos
Recipientes resistentes al calor y material adecuado para el microondas: <ul style="list-style-type: none"> ■ Cristal ■ Vitrocerámica ■ Porcelana ■ Plástico termorresistente ■ Cerámica totalmente esmaltada sin fisuras 	Estos materiales dejan pasar las microondas. Las microondas no dañan los recipientes termorresistentes.
Cubiertos de metal	Nota: Para evitar un retardo en la ebullición se pueden utilizar cubiertos metálicos como, p. ej., una cuchara en un vaso.

¡ATENCIÓN!

Si el metal toca la pared del compartimento de cocción, se generan chispas que pueden dañar el aparato o destrozarse el cristal interior de la puerta.

- ▶ Los metales, p. ej. la cuchara en un vaso, deben estar separados al menos 2 cm de las paredes del horno y de la parte interior de la puerta del horno.

7.3 Potencia del microondas

Aquí encontrará una vista general de las potencias del microondas y, por tanto, de las aplicaciones.

Potencia del microondas en vatios	Duración máxima	Aplicación
90 W	1:30 horas	Descongelar platos delicados.
180 W	1:30 horas	Descongelar alimentos y continuar con la cocción.
360 W	1:30 horas	Cocinar a fuego lento carne y pescado o calentar alimentos delicados.
600 W	1:30 horas	Calentar y cocinar alimentos a fuego lento.
900 W	30 minutos	Calentar líquidos. La potencia máxima no está pensada para calentar alimentos.

Valores recomendados

El aparato recomienda una duración para cada potencia del microondas. Los valores recomendados pueden aceptarse o modificarse en la zona correspondiente.

No apto para microondas

Recipientes y accesorios	Motivos
Recipientes de metal	El metal no deja pasar las microondas. Los alimentos se calientan muy débilmente.
Recipientes con elementos decorativos en oro o plata	Las microondas pueden dañar los elementos decorativos en oro o plata. Consejo: Un recipiente puede utilizarse si su fabricante garantiza que es apto para microondas.

7.2 Probar la idoneidad de los recipientes para microondas

Someter los recipientes para microondas a una prueba de recipientes. El aparato solo debe utilizarse en la función microondas sin alimentos en caso de tratarse de una prueba de recipientes.

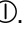
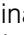

ADVERTENCIA – ¡Riesgo de quemaduras por líquidos calientes!


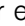
Las partes accesibles se calientan durante el funcionamiento.

- ▶ No tocar nunca las partes calientes.
 - ▶ Mantener fuera del alcance de los niños.
1. Colocar el recipiente vacío en el compartimento de cocción.
 2. Ajustar el aparato a la potencia máxima de microondas durante 1/2-1 minuto.
 3. Iniciar el funcionamiento.
 4. Comprobar el recipiente varias veces:
 - Si el recipiente está frío o templado, es apto para el microondas.
 - Si el recipiente está caliente o se generan chispas, cancelar la prueba; el recipiente no es apto para microondas.

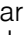

7.4 Ajustar el microondas

Cuando se enciende el aparato, en la pantalla aparece siempre como recomendación siempre el nivel máximo del microondas.

1. Tener en cuenta las advertencias de seguridad.
→ *Página 29*
2. Tener en cuenta las indicaciones para evitar daños materiales. → *Página 31*
3. Tener en cuenta las indicaciones de la vajilla y de los accesorios aptos para microondas. → *Página 35*
4. Pulsar .
- ✓ El aparato está listo para el funcionamiento. La pantalla muestra un valor recomendado de potencia máxima del microondas. La potencia del microondas puede modificarse en cualquier momento.
5. Pulsar el campo correspondiente para ajustar la potencia del microondas deseada.
 - ✓ La pantalla muestra la potencia del microondas y una duración recomendada.
 - ✓ Se ilumina  en rojo.
6. Ajustar la duración deseada con el mando circular.
7. Pulsar .
 - ✓ El aparato inicia el funcionamiento.
 - ✓ En la pantalla se muestra el transcurso de la duración.
 - ✓ Una vez transcurrida la duración, suena una señal.

8. Pulsar  para apagar la señal antes de tiempo.
9. Apagar el aparato con .

Notas

- Al pulsar , la pantalla muestra brevemente la función del reloj avisador. Para prolongar la duración, pulsar  de nuevo.
- Si se abre la puerta del aparato durante el transcurso, el ventilador puede seguir funcionando.

7.5 Modificar la duración

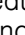
La duración se puede modificar en cualquier momento.

- ▶ Modificar la duración con el mando circular.
- ✓ El funcionamiento continúa.

7.6 Modificar la potencia del microondas

La potencia del microondas se puede modificar durante el funcionamiento.

- ▶ Pulsar el campo correspondiente a la potencia del microondas deseada.
- ✓ La duración no se modifica.
- ✓ El funcionamiento continúa.

Nota: Si la duración programada supera la duración máxima para la potencia de microondas de 900 W, el aparato reduce automáticamente la duración. El funcionamiento no continúa. Iniciar el funcionamiento con .

8 Programas

Con estos programas, el aparato ayuda en la preparación de diferentes alimentos y selecciona automáticamente los mejores ajustes.

8.1 Indicaciones sobre los ajustes para diferentes platos

Para obtener un resultado de cocción óptimo, es preciso tener en cuenta estas indicaciones.

- Utilizar únicamente alimentos en perfectas condiciones.
- Sacar los alimentos de su envase y pesarlos. Si no puede ajustarse el peso exacto en la unidad, redondear el peso hacia arriba o hacia abajo.
- Utilizar solo recipientes adecuados para el microondas y resistentes al calor, p. ej., recipientes de vidrio o cerámica.
- Colocar los alimentos dentro del aparato en el interior del aparato frío.

Descongelar

- Congelar los alimentos a -18°C en posición horizontal y repartidos en porciones adecuadas.
- Colocar los alimentos congelados en un recipiente plano, p. ej., un plato de cristal o de porcelana.
- Puede que los alimentos no estén completamente descongelados una vez terminado el programa; sin embargo, se pueden cocinar sin problema.

- Cuando se descongelan carne o aves, se desprenden líquidos; desechar los líquidos al dar la vuelta, no utilizarlos ni dejar que entren en contacto con otros alimentos.
- Retirar la carne picada que ya se haya descongelado al darle la vuelta.
- Si el ave está entera, colocarla en el recipiente por el lado de la pechuga. Si se trata de trozos de ave, por el lado de la piel.

Verduras

- Verduras frescas: cortar en trozos grandes del mismo tamaño. Añadir una cucharada de agua por cada 100 g.
- Verduras congeladas: únicamente son apropiadas las verduras escaldadas, no precocinadas. La verdura ultracongelada con salsa de nata no es adecuada. Añadir entre 1 y 3 cucharadas de agua. No añadir agua a espinacas y col lombarda.

Patatas

- Patatas cocidas con sal: cortar en trozos grandes del mismo tamaño. Añadir dos cucharadas de agua y un poco de sal por cada 100 g.
- Patatas hervidas sin pelar: utilizar patatas de igual grosor. Lavarlas y pinchar la piel. Colocar las patatas aún húmedas en un recipiente sin agua.
- Patatas al horno: utilizar patatas de igual grosor. Lavarlas, secarlas y pinchar la piel.

Arroz



- No utilizar arroz natural o en bolsas de cocción.
- Añadir dos partes o dos partes y media de agua por cada parte de arroz.

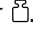
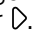

Tiempo de reposo

Algunos platos precisan un tiempo de reposo dentro del aparato al finalizar el programa.

Plato	Tiempo de reposo
Verduras	aprox. 5 minutos
Patatas	aprox. 5 minutos Ecurrir previamente el agua acumulada
Arroz	aprox. 5-10 minutos

8.2 Ajustar un programa

1. Pulsar .
- ✓ El aparato está listo para el funcionamiento.
2. Pulsar .
- ✓ En la pantalla se muestra el primer programa.

3. Configurar el programa deseado con el mando circular.
4. Pulsar .
 - ✓ En la pantalla aparece un valor recomendado para el peso.
5. Configurar el peso deseado con el mando circular.
6. Pulsar .
 - ✓ El aparato inicia el funcionamiento.
 - ✓ En la pantalla se muestra el transcurso de la duración.
7. Si, durante el transcurso del programa, aparecen en pantalla consejos para dar la vuelta o remover los alimentos:
 - Abrir la puerta del aparato.
 - Trocear los alimentos, darles la vuelta o remover.
 - Cerrar la puerta del aparato.
 - Pulsar .

Nota: Aunque no se les dé la vuelta ni se remuevan los alimentos, el programa continúa con normalidad hasta el final.

Los programas calculan la duración.

8.3 Tabla de programas

Los programas pueden preparar platos de manera sencilla. Seleccionar el programa e introducir el peso de los platos. El programa configura el ajuste óptimo automáticamente.

Descongelar

Plato	Comida adecuada	Rango de peso en kg	Recipiente/accesorio
Descongelar pan ¹	Pan entero, hogaza o barra, pan en rebanadas, pastel de masa de bizcocho, pastel de levadura, pastel de frutas, pastel sin glaseado, nata o gelatina	0,20 – 1,50	Recipiente plano sin tapa Base del compartimento de cocción
Descongelar carne ¹	Asados, piezas de carne planas, carne picada, pollo	0,20 – 2,00	Recipiente plano sin tapa Base del compartimento de cocción
Descongelar pescado ¹	Pescado entero, filetes de pescado o ventresca	0,10 – 1,00	Recipiente plano sin tapa Base del compartimento de cocción

¹ Prestar atención a la señal para dar la vuelta.

Cocinar a fuego lento



Plato	Comida adecuada	Rango de peso en kg	Recipiente/accesorio
Verduras, frescas ¹	Coliflor, brócoli, zanahorias, colinabo, puerro, pimiento, calabacines	0,15 – 1,00	Recipiente con tapa Base del compartimento de cocción
Verduras, congeladas ¹	Coliflor, brócoli, zanahorias, colinabo, lombarda, espinacas	0,15 – 1,00	Recipiente con tapa Base del compartimento de cocción
Patatas peladas con sal	Patatas con o sin piel, trozos de patata del mismo tamaño	0,20 – 1,00	Recipiente con tapa Base del compartimento de cocción
Arroz ¹	Arroz largo	0,05 – 0,30	Recipiente alto con tapa Base del compartimento de cocción

¹ Prestar atención a la señal para remover.

9 Reloj avisador


Se puede fijar un tiempo en el reloj avisador, tras el cual sonará una señal. Es posible ajustar hasta un máximo de 24 horas en el reloj avisador. Funciona independientemente del modo de funcionamiento del aparato y de otras funciones de tiempo. La señal del reloj avisador se diferencia de otras señales.

9.1 Ajustar el reloj avisador


1. Pulsar .
 - ✓ En la pantalla se muestra el reloj avisador.
2. Ajustar el tiempo del reloj avisador con el mando circular.
3. Pulsar .


Transcurridos unos segundos, el reloj avisador se inicia automáticamente.

 - ✓ El tiempo del reloj avisador transcurre.
 - ✓ La indicación vuelve a su anterior estado en poco tiempo.
 - ✓ En la pantalla se muestra adicionalmente un símbolo de reloj avisador.

- ✓ Una vez finaliza el tiempo del reloj avisador, suena una señal.
4. Pulsar  para apagar la señal antes de tiempo.

9.2 Modificar el reloj avisador

1. Pulsar .
 - ✓ En la pantalla se muestra el reloj avisador.
2. Modificar el tiempo del reloj avisador con el mando circular.

Nota: Si ya está en curso un modo de funcionamiento con una duración ajustada, la duración se muestra resaltada. Se puede seleccionar el reloj avisador con . El tiempo del reloj avisador aparece resaltado. Es posible modificar el tiempo del reloj avisador.

9.3 Cancelar el reloj avisador





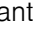
- ▶ Restablecer el tiempo del reloj avisador.
- ✓ Tras aplicar la modificación, el símbolo se apaga.

10 Ajustes básicos

Es posible adaptar los ajustes básicos del aparato a las necesidades individuales.


10.1 Modificar el ajuste básico

Requisito: El aparato está desconectado.

1. Mantener pulsado  aprox. 3 segundos.
 - ✓ En la pantalla aparecen indicaciones para continuar el proceso.
2. Confirmar las indicaciones con .
 - ✓ En la pantalla se muestra el primer ajuste: "Idioma".
3. En caso necesario, modificar el ajuste con el mando circular.
4. Pulsar .
 - ✓ El siguiente ajuste se muestra en pantalla y puede modificarse con el mando circular.
5. Pasar por todos los ajustes con  y modificar con el mando circular en caso necesario.
6. Para guardar los cambios, mantener pulsado el sensor  durante aprox. 3 segundos.
 - ✓ En la pantalla se muestra la indicación de que los ajustes han sido guardados.

Nota: Después de una caída de corriente, los cambios realizados en los ajustes básicos se mantienen.

10.2 Cancelar el cambio en los ajustes básicos

- ▶ Pulsar .
- ✓ Todos los cambios se desestiman y no se guardan.

10.3 Vista general de los ajustes básicos

Aquí encontrará una vista general de los ajustes básicos y los ajustes de fábrica. Los ajustes básicos dependen del equipamiento de cada aparato.

Notas

- Las modificaciones de los ajustes del idioma, el sonido de las teclas y el brillo de la pantalla tienen efecto inmediato. El resto de ajustes se aplican al guardarlos.
- Las modificaciones realizadas en los ajustes básicos se mantienen también después de un fallo de corriente. En caso de un corte en el suministro eléctrico, se deberán volver a realizar solo los ajustes de la primera puesta en marcha.
→ "Primera puesta en marcha", Página 34

Ajustes básicos	Selección
Idioma	Ajustar "Idioma"
Hora	Ajustar "Hora "
Tono de aviso	Duración breve Duración media ¹ Duración larga
Sonido de las teclas	Desactivado ¹ Activado
Brillo del panel indicador	El brillo del panel indicador se puede ajustar en 5 niveles Nivel 3 ¹
Indicación del reloj	Activado ¹ Desactivado
Atenuación nocturna del display	Desactivado ¹ Activado (pantalla oscurecida entre las 22:00 y las 06:00 horas)

¹ Ajuste de fábrica (puede variar según el modelo de aparato)

Ajustes básicos	Selección
Modo demo	Desactivado ¹ Activado (se muestra solo en los 3 primeros minutos después de un restablecimiento o en los primeros minutos de la puesta en marcha)
Ajustes de fábrica	Restablecer No restablecer ¹
¹ Ajuste de fábrica (puede variar según el modelo de aparato)	

Nota: Las modificaciones de los ajustes del idioma, el sonido de las teclas y el brillo de la pantalla tienen efecto inmediato. Todos los demás ajustes se aplican después de guardar.

11 Cuidados y limpieza

Para que el aparato mantenga durante mucho tiempo su capacidad funcional, debe mantenerse y limpiarse con cuidado.

11.1 Productos de limpieza

Utilizar exclusivamente productos de limpieza adecuados.

⚠ ADVERTENCIA – ¡Riesgo de descarga eléctrica!
La infiltración de humedad puede provocar una descarga eléctrica.

- ▶ No utilizar limpiadores por chorro de vapor ni de alta presión para limpiar el aparato.

¡ATENCIÓN!

Los productos de limpieza inadecuados pueden dañar la superficie del aparato.

- ▶ No utilizar productos de limpieza agresivos ni abrasivos.
- ▶ No utilizar productos de limpieza con un alto contenido alcohólico.
- ▶ No utilizar estropajos o esponjas duros.
- ▶ No utilizar limpiadores especiales para limpieza en caliente.
- ▶ Utilizar la rasqueta de vidrio, limpiacristales o productos de limpieza de acero inoxidable solo si en las instrucciones de limpieza se recomienda su uso para la pieza en cuestión.

Las bayetas nuevas contienen residuos de la producción.

- ▶ Lavar a fondo las bayetas nuevas antes de usarlas.

Las instrucciones de limpieza individuales indican qué productos de limpieza son adecuados para las distintas superficies y piezas.

10.4 Modificar la hora

Requisito: El aparato está desconectado.

1. Mantener pulsado \bar{i} aprox. 3 segundos.
 - ✓ En la pantalla aparecen indicaciones para continuar el proceso.
2. Confirmar las indicaciones con \odot .
 - ✓ En la pantalla se muestra el primer ajuste: "Idioma".
3. Pulsar \odot .
 - ✓ Se muestra el siguiente ajuste de la hora.
4. Modificar la hora con el mando circular.
5. Para guardar los cambios, mantener pulsado el sensor \bar{i} durante aprox. 3 segundos.
 - ✓ En la pantalla se muestra la indicación de que los ajustes han sido guardados.

11.2 Limpiar el aparato

Seguir las indicaciones de limpieza del aparato para no dañar las piezas y superficies por limpiarlas de forma inapropiada o por utilizar productos de limpieza no adecuados.

⚠ ADVERTENCIA – ¡Riesgo de incendio!

Los restos de comida, grasa y jugo de asado pueden arder.

- ▶ Antes de poner en funcionamiento, eliminar la suciedad gruesa del compartimento de cocción, de la resistencia y de los accesorios.

⚠ ADVERTENCIA – ¡Riesgo de lesiones!

Si el cristal de la puerta del aparato está dañado, puede fracturarse.

- ▶ No utilizar productos de limpieza abrasivos ni rasca-dores metálicos afilados para limpiar el cristal de la puerta del aparato, ya que pueden rayar la superficie.

1. Respetar las indicaciones sobre los productos de limpieza. → *Página 39*
2. Respetar las indicaciones relativas a la limpieza de los componentes y las superficies del aparato.
3. Salvo que se indique lo contrario:
 - Limpiar los componentes del aparato con agua caliente enjabonada y una bayeta.
 - Secar con un paño suave.

11.3 Limpiar el interior del horno

¡ATENCIÓN!

Una limpieza inadecuada podría dañar el compartimento de cocción.

- ▶ No utilizar sprays para hornos, limpiadores abrasivos ni otros productos agresivos de limpieza para hornos.

1. Respetar las indicaciones sobre los productos de limpieza. → *Página 39*
2. Limpiar con agua caliente enjabonada o con vinagre.
3. Si la suciedad es intensa, utilizar un producto de limpieza específico para hornos.
Utilizar productos de limpieza para el horno solo cuando el compartimento de cocción esté frío.

Consejo: Para eliminar los olores desagradables, calentar una taza de agua con unas gotas de zumo de limón durante 1 o 2 minutos a la máxima potencia del microondas. Para evitar un retardo en la ebullición, colocar siempre una cuchara en el recipiente.

4. Limpiar el compartimento de cocción con un trapo suave.
5. Dejar secar el compartimento de cocción con la puerta abierta.

11.4 Limpiar el frontal del aparato

¡ATENCIÓN!

Una limpieza inadecuada podría dañar la parte frontal del aparato.

- ▶ No utilizar limpiacristales, rascadores metálicos ni rasquetas de vidrio para limpiar.
- ▶ Para evitar la corrosión en los frontales de acero inoxidable, limpiar inmediatamente las manchas de cal, grasa, almidón y clara de huevo.
- ▶ Deben utilizarse productos de limpieza especiales para limpiar superficies calientes de acero inoxidable.

1. Respetar las indicaciones sobre los productos de limpieza. → *Página 39*
2. Limpiar el frontal del aparato con agua caliente enjabonada y una bayeta.

Nota: Es posible que aparezcan diferentes tonalidades de color en el frontal del aparato debido a los diversos materiales, como el vidrio, plástico o metal.

3. Para limpiar frontales de acero inoxidable, aplicar con un paño suave una capa muy fina de producto de limpieza adecuado para acero inoxidable. Se pueden adquirir productos de limpieza de acero inoxidable a través del Servicio de Asistencia Técnica o en comercios especializados.
4. Secar con un paño suave.

11.5 Limpiar el panel de mando

¡ATENCIÓN!

Una limpieza inadecuada puede dañar el panel de mando.

- ▶ No limpiar nunca el panel de mando en húmedo.
1. Respetar las indicaciones sobre los productos de limpieza. → *Página 39*
 2. Limpiar el panel de control con un paño de microfibra o un paño suave y ligeramente humedecido.
 3. Secar con un paño suave.

11.6 Limpiar los cristales de la puerta

¡ATENCIÓN!

Una limpieza inadecuada podría dañar los cristales de la puerta.

- ▶ No utilizar rasquetas de vidrio.
1. Respetar las indicaciones sobre los productos de limpieza. → *Página 39*
 2. Limpiar los cristales de la puerta con limpiacristales y una bayeta húmeda.
Nota: Las sombras apreciables en el cristal de la puerta que parecen suciedad son reflejos de luz de la lámpara de iluminación interior.
 3. Secar con un paño suave.

11.7 Limpiar la junta de la puerta

¡ATENCIÓN!

Una limpieza inadecuada podría dañar la junta de la puerta.

- ▶ No utilizar rascadores metálicos ni rasquetas de vidrio para limpiar.
 - ▶ No emplear agentes agresivos o abrasivos.
1. Respetar las indicaciones sobre los productos de limpieza. → *Página 39*
 2. Limpiar la junta de la puerta con agua caliente con un poco de jabón y una bayeta suave.
 3. Secar con un paño suave.

11.8 Asistente de limpieza

El asistente de limpieza es una alternativa rápida a la limpieza del compartimento de cocción durante el funcionamiento. El asistente de limpieza ablanda la suciedad mediante la evaporación del agua con jabón. De este modo, la suciedad se puede eliminar más fácilmente.

Ajustar la limpieza auxiliar

1. Verter un par de gotas de lavavajillas en una taza con agua.
2. Para evitar un retardo en la ebullición, colocar una cuchara en el recipiente.
3. Colocar la taza en el centro del compartimento de cocción.
4. Ajustar la potencia de microondas a 600 W.
5. Ajustar una duración de 5 minutos.
6. Iniciar el microondas.
7. Una vez transcurrido el tiempo, dejar la puerta cerrada durante otros 3 minutos.
8. Limpiar el compartimento de cocción con un trapo suave.
9. Dejar secar el interior del aparato.

12 Solucionar pequeñas averías

El usuario puede solucionar por sí mismo las pequeñas averías de este aparato. Se recomienda utilizar la información relativa a la subsanación de averías antes de ponerse en contacto con el Servicio de Asistencia Técnica. De este modo se evitan costes innecesarios.

⚠️ ADVERTENCIA – ¡Riesgo de lesiones!

Las reparaciones inadecuadas son peligrosas.

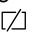
- ▶ Solo el personal especializado puede realizar reparaciones e intervenciones en el aparato.
- ▶ Si el aparato está defectuoso, ponerse en contacto con el servicio de asistencia técnica.
→ "Servicio de Asistencia Técnica", Página 42

⚠️ ADVERTENCIA – ¡Riesgo de descarga eléctrica!

Las reparaciones inadecuadas son peligrosas.

- ▶ Solo el personal especializado puede realizar reparaciones e intervenciones en el aparato.
- ▶ Utilizar únicamente piezas de repuesto originales para la reparación del aparato.
- ▶ Si el cable de conexión de red de este aparato resulta dañado, debe sustituirlo el fabricante, el Servicio de Asistencia Técnica o una persona cualificada a fin de evitar posibles situaciones de peligro.

12.1 Averías de funcionamiento

Fallo	Causa y resolución de problemas
El aparato no funciona.	<p>El enchufe del cable de conexión de red no está conectado.</p> <ul style="list-style-type: none"> ▶ Conectar el aparato a la red eléctrica. <p>El fusible de la caja de fusibles ha saltado.</p> <ul style="list-style-type: none"> ▶ Comprobar el fusible de la caja de fusibles. <p>El suministro de corriente eléctrica se ha interrumpido.</p> <ul style="list-style-type: none"> ▶ Comprobar que la iluminación del compartimento u otros aparatos funciona en la habitación. <p>Avería</p> <ol style="list-style-type: none"> 1. Desconectar el fusible de la caja de fusibles. 2. Volver a conectar el fusible tras unos 10 s. ✓ Si la avería solo se presentó una vez, desaparece el mensaje. 3. Si la indicación vuelve a aparecer, avisar al Servicio de Asistencia Técnica. Al llamar, proporcione el mensaje de avería exacto. → "Servicio de Asistencia Técnica", Página 42
El aparato no inicia el funcionamiento.	<p>La puerta del aparato no está cerrada completamente.</p> <ul style="list-style-type: none"> ▶ Cerrar la puerta del aparato.
El aparato no calienta, en la pantalla se ilumina el símbolo 	<p>El modo Demo está activado.</p> <ol style="list-style-type: none"> 1. Desconectar el aparato de la red eléctrica desconectando brevemente el fusible de la caja de fusibles. 2. Desactivar el modo Demo en los ajustes básicos en un intervalo de 3 minutos.
El mando circular se ha salido del soporte.	<p>El mando circular se ha desenchafado.</p> <ol style="list-style-type: none"> 1. Colocar el mando circular en el soporte del panel de mando. 2. Presionar el mando circular sobre el soporte hasta que encaje y vuelva a girar con normalidad.
El mando circular ya no gira fácilmente.	<p>Hay suciedad bajo el mando circular. El mando circular se puede extraer.</p> <p>Nota: No extraer el mando circular con demasiada frecuencia para que el soporte permanezca estable.</p> <ol style="list-style-type: none"> 1. Presionar en el borde exterior del mando circular para aflojarlo. ✓ El mando circular se inclina y puede cogerse con facilidad. 2. Extraer el mando circular hasta sacarlo del soporte. 3. Limpiar con cuidado el mando circular y el soporte del aparato con una bayeta con agua y jabón. No usar ningún producto afilado o abrasivo. No dejar en remojo el mando circular. No lavar el mando circular en el lavavajillas. 4. Secar el mando circular con un paño suave.
La iluminación interior no funciona.	<p>Iluminación interior defectuosa</p> <ul style="list-style-type: none"> ▶ Llame al → "Servicio de Asistencia Técnica", Página 42.

12.2 Indicaciones en la pantalla de visualización

Fallo	Causa y resolución de problemas
La pantalla muestra el mensaje de error «Exxx»	<p>Se ha producido un error.</p> <ol style="list-style-type: none"> Si la pantalla muestra un mensaje de error, encender el electrodoméstico y volver a encenderlo. <ul style="list-style-type: none"> ✓ Si la pantalla deja de mostrar el mensaje de error, se trataba de un problema puntual. Si la pantalla sigue mostrando el mensaje de error o lo muestra de forma reiterada, contactar con el Servicio de Atención al Cliente e indicar el código de error. Si la pantalla muestra el mensaje de error E0532, abrir y cerrar la puerta del aparato. Si la pantalla muestra el mensaje de error E6501, apagar el aparato y volver a conectarlo al cabo de 10 minutos.

13 Eliminación

13.1 Eliminación del aparato usado

Gracias a la eliminación respetuosa con el medio ambiente pueden reutilizarse materiales valiosos.

- Desenchufar el cable de conexión de red de la toma de corriente.
- Cortar el cable de conexión de red.
- Desechar el aparato de forma respetuosa con el medio ambiente.
Puede obtener información sobre las vías y posibilidades actuales de desecho de materiales de su distribuidor o ayuntamiento local.



Este aparato está marcado con el símbolo de cumplimiento con la Directiva Europea 2012/19/UE relativa a los aparatos eléctricos y electrónicos usados (Residuos de aparatos eléctricos y electrónicos RAEE). La directiva proporciona el marco general válido en todo el ámbito de la Unión Europea para la retirada y la reutilización de los residuos de los aparatos eléctricos y electrónicos.

14 Servicio de Asistencia Técnica

Para obtener información detallada sobre el periodo de validez de la garantía y las condiciones de garantía en su país, póngase en contacto con nuestro Servicio de Asistencia Técnica o con su distribuidor, o bien consulte nuestra página web.

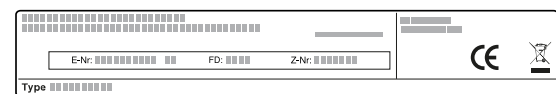
Cuando se ponga en contacto con el Servicio de Asistencia Técnica, no olvide indicar el número de producto (E-Nr.) y el número de fabricación (FD) del aparato. Los datos de contacto del Servicio de Asistencia Técnica se encuentran en el directorio adjunto o en nuestra página web.

El presente producto contiene fuentes de luz de la clase de eficiencia energética E. Las fuentes de luz se encuentran disponibles como repuesto y su sustitución solo la puede llevar a cabo personal especializado.

14.1 Número de producto (E-Nr.) y número de fabricación (FD)

El número de producto (E-Nr.) y el número de fabricación (FD) se encuentran en la placa de características del aparato.

La placa de características con los correspondientes números se encuentra al abrir la puerta del aparato.



Para volver a encontrar rápidamente los datos del aparato o el número de teléfono del Servicio de Asistencia Técnica, puede anotar dichos datos.

15 Así se consigue

Aquí encontrará los ajustes correspondientes y los mejores accesorios y recipientes para diferentes platos. Hemos optimizado las recomendaciones adaptándolas al aparato.

15.1 Se recomienda proceder de la siguiente manera

A continuación, se explica cómo proceder paso a paso para explotar al máximo los ajustes recomendados. Se incluye información sobre múltiples platos y consejos sobre, por ejemplo, la mejor manera de utilizar y ajustar el aparato.

Consejo

Indicaciones de preparación

- Los ajustes recomendados se aplican siempre para el compartimento de cocción vacío y frío.
- Las indicaciones de tiempo que figuran en las tablas son valores orientativos. Vienen determinados por la calidad y la composición de la comida.

ADVERTENCIA – ¡Riesgo de quemaduras!

Los alimentos con cáscara o piel dura pueden reventar durante el calentamiento o incluso una vez finalizado.

- ▶ No cocer los huevos con la cáscara ni calentar huevos duros con cáscara.
- ▶ No cocer crustáceos ni animales con cáscara.
- ▶ A los huevos fritos y los huevos al plato primero se les debe pinchar la yema.
- ▶ En los alimentos con la piel dura, como, p. ej., manzanas, tomates, patatas o salchichas, la piel puede

reventar. Antes de calentarlos se debe pinchar la cáscara o la piel.

1. Antes de su uso, retirar los recipientes que no sean necesarios del compartimento de cocción.
2. Seleccionar el plato deseado entre los ajustes recomendados.
3. Colocar el alimento en un recipiente apropiado.
4. El recipiente puede colocarse en el centro sobre la base del interior del aparato. Las microondas pueden llegar así a todas las partes de los platos.
5. Ajustar el aparato según los ajustes recomendados. Ajustar primero la duración más breve. Si es necesario, alargar la duración.
6. Utilizar siempre un paño apropiado para retirar los recipientes calientes del compartimento de cocción.

15.2 Descongelación, calentamiento y cocción con el microondas

Ajustes recomendados para descongelar, calentar y cocinar a fuego lento en el microondas.

La duración depende del recipiente y de la temperatura, del estado, de la composición y de la cantidad de los alimentos. Por esta razón, en las tablas de cocción siempre se indican márgenes. Comenzar por el valor más bajo. En caso necesario, seleccionar un valor más alto la próxima vez. Es posible que se cocinen cantidades distintas a las indicadas en la tabla. Para ello, existe una regla general: una cantidad doble supone casi el doble de tiempo; la mitad de cantidad, la mitad de tiempo.

Descongelar con microondas

Nota:

Indicaciones de preparación

- Congelar los alimentos en plano.
- Utilizar una vajilla adecuada para el microondas sin tapa.
- Colocar el recipiente sobre la base del compartimento de cocción.
- Entretanto, remover o dar la vuelta los alimentos 2 o 3 veces. Al darle la vuelta, retirar el líquido resultante de la descongelación.
- Cuando se descongelan carne o aves, se desprenden líquidos; desechar los líquidos al dar la vuelta, no utilizarlos ni dejar que entren en contacto con otros alimentos.
- Retirar la carne picada que ya se haya descongelado al darle la vuelta.
- Al dar la vuelta, separar las partes descongeladas.
- Tras la descongelación, dejar reposar los alimentos de 10 a 60 minutos.

Alimentos	Peso	Potencia del microondas	Duración
Piezas enteras de carne, con o sin hueso	800 g	1. 180 W 2. 90 W	1. 15 min ¹ 2. 15-25 min
Piezas enteras de carne, con o sin hueso	1000 g	1. 180 W 2. 90 W	1. 20 min ¹ 2. 20-30 min ¹

¹ Dar la vuelta a los alimentos con frecuencia.

² Al dar la vuelta, separar las partes descongeladas.

³ Remover con cuidado los alimentos de vez en cuando.

⁴ Retirar todo el embalaje.

⁵ Solo para bizcochos sin glaseado, nata, gelatina o crema.

⁶ Separar las porciones del bizcocho.

es Así se consigue

Alimentos	Peso	Potencia del microondas	Duración
Piezas enteras de carne, con o sin hueso	1500 g	1. 180 W 2. 90 W	1. 25 min ¹ 2. 25-30 min ¹
Carne en trozos o filetes	200 g	1. 180 W 2. 90 W	1. 5-8 min ² 2. 5-10 min
Carne en trozos o filetes	500 g	1. 180 W 2. 90 W	1. 8-11 min ² 2. 10-15 min
Carne en trozos o filetes	800 g	1. 180 W 2. 90 W	1. 10 min ² 2. 10-15 min
Carne picada, mezclada	200 g	90 W	10-15 min ¹
Carne picada, mezclada	500 g	1. 180 W 2. 90 W	1. 5 min ¹ 2. 10-15 min
Carne picada, mezclada	1000 g	1. 180 W 2. 90 W	1. 15 min ¹ 2. 10-15 min
Aves o trozos de aves	600 g	1. 180 W 2. 90 W	1. 8 min ¹ 2. 10-15 min
Aves o trozos de aves	1200 g	1. 180 W 2. 90 W	1. 15 min ¹ 2. 20-25 min
Filetes, rodajas o ventresca de pescado	400 g	1. 180 W 2. 90 W	1. 5 min 2. 10-15 min
Pescado entero	300 g	1. 180 W 2. 90 W	1. 3 min ¹ 2. 10-15 min
Pescado entero	600 g	1. 180 W 2. 90 W	1. 8 min ¹ 2. 15-20 min
Verduras, p. ej., guisantes	300 g	180 W	10-15 min ³
Fruta, p. ej., frambuesas	300 g	180 W	6-9 min ³
Fruta, p. ej., frambuesas	500 g	1. 180 W 2. 90 W	1. 8 min 2. 5-10 min ³
Descongelar mantequilla ⁴	125 g	1. 180 W 2. 90 W	1. 1 min ⁴ 2. 1-2 min
Descongelar mantequilla ⁴	250 g	1. 180 W 2. 90 W	1. 1 min 2. 2-4 min
Pan entero	500 g	1. 180 W 2. 90 W	1. 8 min ¹ 2. 5-10 min
Pan entero	1000 g	1. 180 W 2. 90 W	1. 12 min ¹ 2. 10-20 min
Bizcocho seco, p. ej., pasteles de masa de bizcocho ^{5,6}	500 g	90 W	10-15 min
Bizcocho seco, p. ej., pasteles de masa de bizcocho ^{5,6}	750 g	1. 180 W 2. 90 W	1. 5 min 2. 10-15 min
Bizcochos jugosos, p. ej., bizcochos de fruta o de requesón ⁵	500 g	1. 180 W 2. 90 W	1. 5 min 2. 15-20 min
Bizcochos jugosos, p. ej., bizcochos de fruta o de requesón ⁵	750 g	1. 180 W 2. 90 W	1. 7 min 2. 15-20 min

¹ Dar la vuelta a los alimentos con frecuencia.

² Al dar la vuelta, separar las partes descongeladas.

³ Remover con cuidado los alimentos de vez en cuando.

⁴ Retirar todo el embalaje.

⁵ Solo para bizcochos sin glaseado, nata, gelatina o crema.

⁶ Separar las porciones del bizcocho.

Consejos para la siguiente descongelación, calentamiento y cocción con el microondas

Tener en cuenta estos consejos para obtener buenos resultados a la hora de descongelar, calentar y cocinar a fuego lento con el microondas.

Contacto	Consejo
El alimento está demasiado seco.	<ul style="list-style-type: none"> ■ Acortar la duración o seleccionar una potencia más baja. ■ Añadir más líquido y tapar la comida.
Una vez transcurrido el tiempo, el alimento aún no está descongelado, no se ha calentado o no está cocido.	<p>Prolongar la duración.</p> <p>Las cantidades más grandes o los alimentos gruesos precisan más tiempo.</p>

Contacto	Consejo
Una vez transcurrido el tiempo, el alimento aún no está listo por dentro pero se ha sobrecalentado por fuera.	<ul style="list-style-type: none"> ■ Remover de vez en cuando. ■ Reducir la potencia del microondas y prolongar la duración.
La carne o la carne de ave no se ha descongelado por dentro tras la descongelación, pero ya está cocinada por fuera.	<ul style="list-style-type: none"> ■ Reducir la potencia del microondas. ■ Dar la vuelta a los trozos grandes varias veces.

15.3 Calentar

El aparato permite calentar alimentos.

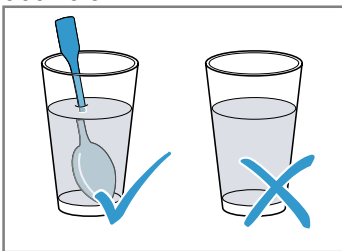
Calentar con microondas

Tener en cuenta los ajustes recomendados para calentar alimentos en el microondas.

⚠ **ADVERTENCIA – ¡Riesgo de quemaduras por líquidos calientes!**

Al calentar líquidos puede producirse un retardo en la ebullición. Esto quiere decir que se puede alcanzar la temperatura de ebullición sin que aparezcan las burbujas de vapor habituales. Proceder con precaución cuando el recipiente se agita ligeramente. El líquido caliente puede empezar a hervir de repente y a salpicar.

- ▶ Colocar siempre una cuchara en el recipiente al calentar. De esta manera se evita un retardo en la ebullición.



¡ATENCIÓN!

Si el metal toca la pared del compartimento de cocción, se generan chispas que pueden dañar el aparato o destrozarse el cristal interior de la puerta.

- ▶ Los metales, p. ej. la cuchara en un vaso, deben estar separados al menos 2 cm de las paredes del horno y de la parte interior de la puerta del horno.

Nota:

Indicaciones de preparación

- Utilizar una vajilla adecuada para el microondas con tapa. También puede cubrirse con un plato o con un papel especial para microondas. Retirar el embalaje de los platos precocinados.
- Colocar el recipiente sobre la base del compartimento de cocción.
- Entretanto, remover o dar la vuelta los alimentos 2 o 3 veces.
- Tras calentarlos, dejar reposar los alimentos de 2 a 5 minutos.
- La comida transmite el calor a la vajilla. La vajilla puede estar muy caliente. Utilizar manoplas de cocina para su manipulación.

Alimentos	Peso	Potencia del microondas	Duración
Menú, plato combinado, plato precocinado (2-3 componentes)		600 W	5-8 min
Bebidas ¹	125 ml	900 W	0,5-1 min ^{2, 3}

¹ Introducir una cuchara en el vaso.

² No sobrecalentar las bebidas alcohólicas.

³ Controlar los alimentos de vez en cuando.

⁴ Calentar los alimentos para bebés sin tetina ni tapa.

⁵ Agitar siempre bien los alimentos después de calentar.

⁶ Controlar siempre la temperatura.

⁷ Separar las rodajas de carne.

Alimentos	Peso	Potencia del microondas	Duración
Bebidas ¹	200 ml	900 W	1-2 min ^{2,3}
Bebidas ¹	500 ml	900 W	3-4 min ^{2,3}
Alimentos infantiles, p. ej., biberones ⁴	50 ml	360 W	aprox. 0,5 min ^{5,6}
Alimentos infantiles, p. ej., biberones ⁴	100 ml	360 W	0,5-1 min ^{4,6}
Alimentos infantiles, p. ej., biberones ⁴	200 ml	360 W	1-2 min ^{4,6}
Sopa, 1 taza	175 g la unidad	600 W	1-2 min
Sopa, 2 tazas	175 g la unidad	600 W	2-3 min
Carne en salsa ⁷	500 g	600 W	7-10 min
Cocido	400 g	600 W	5-7 min
Cocido	800 g	600 W	7-8 min
Verduras, 1 ración	150 g	600 W	2-3 min
Verduras, 2 raciones	300 g	600 W	3-5 min

¹ Introducir una cuchara en el vaso.

² No sobrecalentar las bebidas alcohólicas.

³ Controlar los alimentos de vez en cuando.

⁴ Calentar los alimentos para bebés sin tetina ni tapa.

⁵ Agitar siempre bien los alimentos después de calentar.

⁶ Controlar siempre la temperatura.

⁷ Separar las rodajas de carne.

Calentar alimentos ultracongelados con microondas

Tener en cuenta los ajustes recomendados para calentar alimentos en el microondas.

Nota:

Indicaciones de preparación

- Utilizar una vajilla adecuada para el microondas con tapa. También puede cubrirse con un plato o con un papel especial para microondas. Retirar el embalaje de los platos precocinados.
- Distribuir los alimentos en posición horizontal en el recipiente. Los alimentos planos se cocinan más rápido que si son altos.
- Colocar el recipiente sobre la base del compartimento de cocción.
- La comida transmite el calor a la vajilla. La vajilla puede estar muy caliente. Utilizar manoplas de cocina para su manipulación.
- Entretanto, remover o dar la vuelta los alimentos 2 o 3 veces.
- Tras calentarlos, dejar reposar los alimentos de 2 a 5 minutos.
- La comida transmite el calor a la vajilla. La vajilla puede estar muy caliente. Utilizar manoplas de cocina para su manipulación.
- El sabor natural del plato se conserva en gran medida. Utilizar sal y especias moderadamente.

Alimentos	Peso	Potencia del microondas	Duración
Menú, plato combinado, plato precocinado (2-3 componentes)	300-400 g	600 W	8-13 min
Sopa	400 g	600 W	8-12 min
Cocidos	500 g	600 W	10-15 min
Filetes o trozos de carne en salsa, p. ej., gulasch	500 g	600 W	10-15 min
Pescado, p. ej., filetes	400 g	600 W	10-15 min
Gratinados, p. ej., lasaña, canelones	450 g	600 W	10-15 min

¹ Añadir algo de líquido a los alimentos.

² Cocer los alimentos sin añadir agua.

Alimentos	Peso	Potencia del microondas	Duración
Guarniciones, p.ej., arroz, pasta ¹	250 g	600 W	3-7 min
Guarniciones, p.ej., arroz, pasta ¹	500 g	600 W	8-12 min
Verduras, p. ej., guisantes, brócoli, zanahorias ¹	300 g	600 W	7-11 min
Verduras, p. ej., guisantes, brócoli, zanahorias ¹	600 g	600 W	14-17 min
Espinacas a la crema ²	450 g	600 W	10-15 min

¹ Añadir algo de líquido a los alimentos.
² Cocer los alimentos sin añadir agua.

15.4 Cocinar a fuego lento

Este aparato permite cocinar alimentos a fuego lento.

Cocinar a fuego lento con microondas

Nota:

Indicaciones de preparación

- Colocar el recipiente sobre la base del compartimento de cocción.
- Distribuir los alimentos en posición horizontal en el recipiente. Los alimentos planos se cocinan más rápido que si son altos.
- Utilizar una vajilla adecuada para el microondas con tapa. También se puede cubrir con un plato o una tapa de microondas. Retirar el embalaje de los platos precocinados.
- El sabor natural del plato se conserva en gran medida. Utilizar sal y especias moderadamente.
- Tras calentarlo, dejar reposar el plato de 2 a 5 minutos.
- La comida transmite el calor a la vajilla. La vajilla puede estar muy caliente. Utilizar manoplas de cocina para su manipulación.
- Utilizar una potencia máxima de 600 W aunque en los envases de los alimentos que se vayan a cocinar aparezca una potencia mayor. En caso necesario, prolongar la duración hasta alcanzar el resultado deseado.

Alimentos	Peso	Potencia del microondas	Duración
Pollo entero, fresco, sin vísceras ¹	1200 g	600 W	25-30 min
Filete de pescado, fresco	400 g	600 W	7-12 min
Verduras, frescas ^{2, 3, 4}	250 g	600 W	6-10 min
Verduras, frescas ^{2, 3, 4}	500 g	600 W	10-15 min
Patatas ^{2, 3, 4}	250 g	600 W	8-10 min
Patatas ^{2, 3, 4}	500 g	600 W	10-15 min
Patatas ^{2, 3, 4}	750 g	600 W	15-22 min
Arroz ⁵	125 g	1. 600 W 2. 180 W	1. 4-6 min 2. 12-15 min
Arroz ⁵	250 g	1. 600 W 2. 180 W	1. 6-8 min 2. 15-18 min
Dulces, p. ej., púdín (instantáneo) ⁴	500 ml	600 W	5-8 min
Fruta, compota ⁴	500 ml	600 W	9-12 min
Palomitas para el microondas ⁶	1 bolsa de 100 g	600 W	2,5-3,5 min

¹ Dar la vuelta al alimento después de la mitad del tiempo total.

² Cortar en trozos iguales.

³ Añadir un poco de agua a los alimentos.

⁴ Remover con cuidado los alimentos de vez en cuando.

⁵ Añadir doble cantidad de líquido.

⁶ Colocar siempre la bolsa de palomitas sobre un plato de cristal. Respetar las indicaciones del fabricante.

Pudin en polvo

⚠ ADVERTENCIA – ¡Riesgo de quemaduras!

Las comidas calentadas emiten calor. Los recipientes que las contienen pueden estar muy calientes.

- ▶ Utilizar siempre un agarrador para sacar la vajilla o los accesorios.

1. Mezclar un paquete de pudin en polvo con azúcar y un poco de leche en un bol alto apto para microondas siguiendo las instrucciones del paquete para que no queden grumos.

2. Añadir el resto de la leche y remover de nuevo.
3. Colocar el bol en el compartimento de cocción y cerrar la puerta del aparato.
4. Ajustar el aparato siguiendo los ajustes recomendados.
5. Remover por primera vez después de 3 minutos. A continuación, remover poco a poco durante un minuto hasta alcanzar la consistencia deseada. La duración depende de la temperatura de la leche y del recipiente utilizado.

15.5 Comidas normalizadas

Esta vista general ha sido elaborada para facilitar a los institutos de pruebas la comprobación del aparato según las normas EN 60350 - 1:2013 o IEC 60350 - 1:2011 y conforme a las normas EN 60705:2012 y IEC 60705:2010.

Cocinar a fuego lento con microondas

Alimento	Potencia de microondas en W	Duración en minutos	Nota
Mezcla de leche y huevos, 1000 g	1. 600 W 2. 180 W	1. 11-12 min 2. 8-10 min	Molde de vidrio pyrex
Bizcocho, 475 g	600 W	7-9 min	Molde de vidrio pyrex, Ø 22 cm
Asado de carne picada, 900 g	600 W	25-30 min	Molde de vidrio pyrex, 28 cm de largo

Descongelar con microondas

Ajustes recomendados para descongelar con microondas.

Alimento	Potencia de microondas en W	Duración en minutos	Nota
Carne, 500 g	1. 180 W 2. 90 W o programa "Descongelar carne"	1. 8 min 2. 7-10 min	Molde de vidrio pyrex, Ø 24 cm

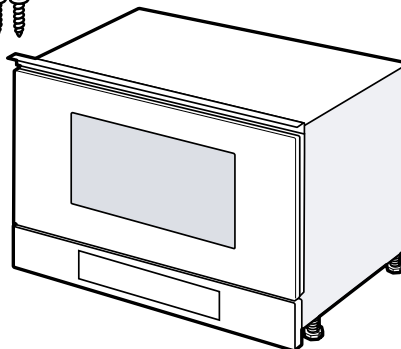
16 Instrucciones de montaje

Tener en cuenta esta información para el montaje del aparato.



16.1 Volumen de suministro

Al desembalar el aparato, comprobar que estén todas las piezas y que no presenten daños ocasionados durante el transporte.



⚠ 16.2 Montaje seguro

Tener en cuenta estas indicaciones de seguridad al montar el aparato.

- Solamente un montaje profesional conforme a las instrucciones de montaje puede garantizar un uso seguro del aparato. El instalador es responsable del funcionamiento perfecto en el lugar de instalación.
- Comprobar el aparato tras sacarlo del embalaje. El aparato no debe conectarse en caso de haber sufrido daños durante el transporte.
- Antes de poner en marcha el aparato, retirar el material de embalaje y las láminas adherentes de la puerta y del compartimento de cocción.
- Tener en cuenta las hojas de instrucciones para la instalación de los accesorios.
- Los muebles donde se encastre el aparato deben poder resistir una temperatura de hasta 90 °C; los frontales de los muebles adyacentes, hasta 65 °C.
- No instalar el aparato detrás de una puerta decorativa o de mueble. Existe riesgo de sobrecalentamiento.
- Llevar a cabo los trabajos de recorte en el mueble antes de colocar el aparato. Retirar las virutas; podrían afectar al funcionamiento de los componentes eléctricos.
- La conexión de aparatos sin enchufe solo puede ser efectuada por personal especializado y autorizado. Los daños provocados por una conexión incorrecta no están cubiertos por la garantía.

⚠ ADVERTENCIA – ¡Riesgo de lesiones!

Las piezas que estén accesibles durante el montaje pueden tener los bordes afilados o causar cortes al tocarlas.

- ▶ Llevar guantes protectores

⚠ ADVERTENCIA – ¡Riesgo de incendio!

Es peligroso utilizar cables de conexión de red prolongados y adaptadores no autorizados.

- ▶ No utilizar alargaderas ni tomas de corriente múltiples.
- ▶ Si el cable de conexión de red es demasiado corto, ponerse en contacto con el servicio de asistencia técnica.

16.3 Muebles empotrados

Este aparato ha sido diseñado exclusivamente para su montaje empotrado. Este aparato no está diseñado para un montaje de sobremesa o para su uso dentro de un armario.

No debe haber ninguna placa posterior en el armario donde se aloje el electrodoméstico. La altura mínima de montaje es de 850 mm.

No cubrir las ranuras de ventilación ni los orificios de aspiración.

16.4 Conexión eléctrica

Para conectar eléctricamente el aparato de forma segura, consultar estas indicaciones.

⚠ ADVERTENCIA – ¡Peligro: magnetismo!

El aparato contiene imanes permanentes. Estos pueden repercutir en el correcto funcionamiento de implantes electrónicos como marcapasos o bombas de insulina.

- ▶ Las personas con implantes electrónicos deberán mantener una distancia mínima de 10 cm respecto al aparato.

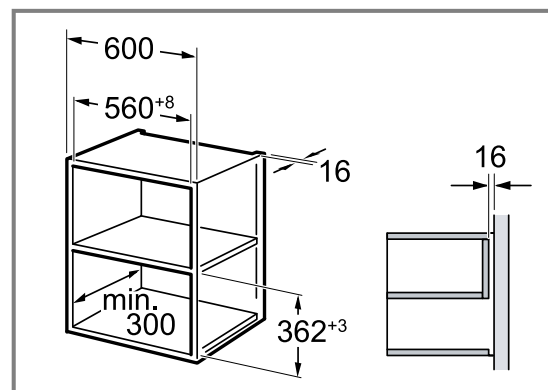
⚠ ADVERTENCIA – ¡Riesgo de incendio!

El uso de enchufes múltiples, regletas o alargadores puede provocar incendios.

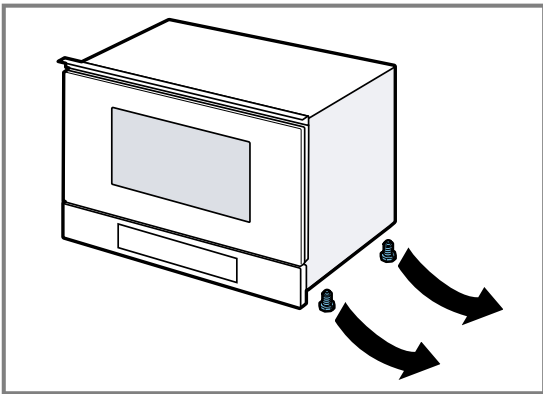
- ▶ No utilizar enchufes múltiples, regletas ni alargadores.
- El aparato se suministra listo para la conexión a la red eléctrica y solo deberá conectarse a una toma de corriente de instalación reglamentaria y provista de toma de tierra.
- La protección por fusible debe configurarse de acuerdo con los datos de potencia indicados en la placa de características y con la normativa local.
- La instalación de un enchufe debe realizarla siempre un técnico electricista experto observando las normas pertinentes.
- En caso de que el enchufe quede inaccesible tras el montaje del aparato, la instalación (red) eléctrica deberá estar equipada con un dispositivo de separación de todas las fases, con una apertura de contacto mínima de 3 mm.

16.5 Montaje en un armario superior

Tener en cuenta las distancias de seguridad y las dimensiones de montaje en columna encima de un horno.

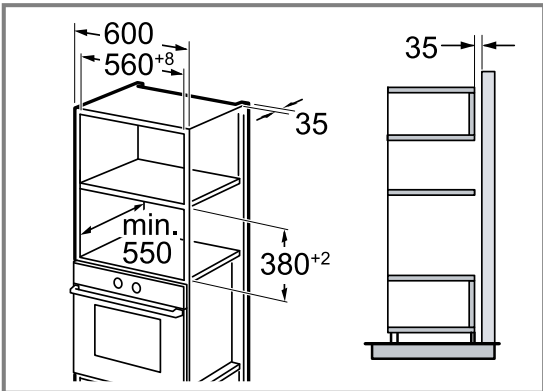


No montar el aparato a demasiada altura, a fin de poder retirar los accesorios sin problemas. Retirar los pies de apoyo.

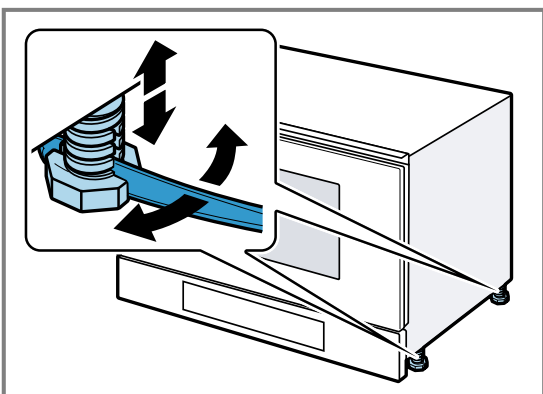


16.6 Montaje en un armario en alto

Tener en cuenta las distancias de seguridad y las dimensiones de montaje en columna encima de un horno.

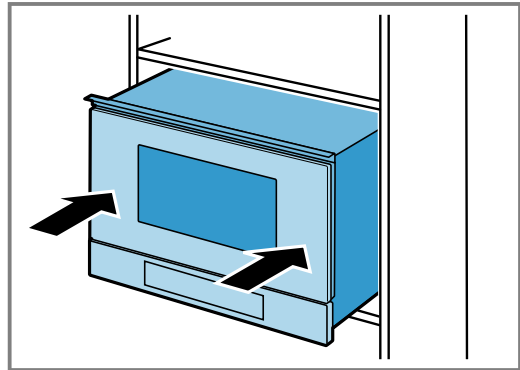


No montar el aparato a demasiada altura, a fin de poder retirar los accesorios sin problemas. Ajustar las patas de apoyo.



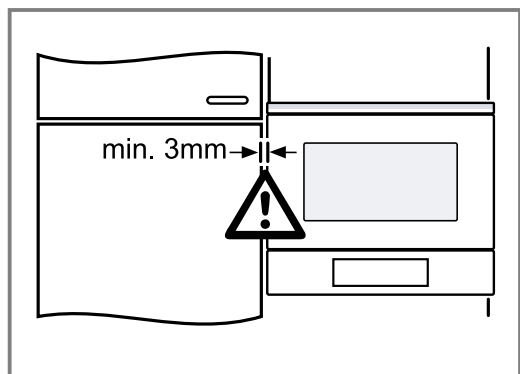
16.7 Montar el aparato

1. Introducir completamente el aparato.



No doblar, aprisionar ni pasar por bordes afilados el cable de conexión.

2. Comprobar la distancia con respecto a los aparatos adyacentes;

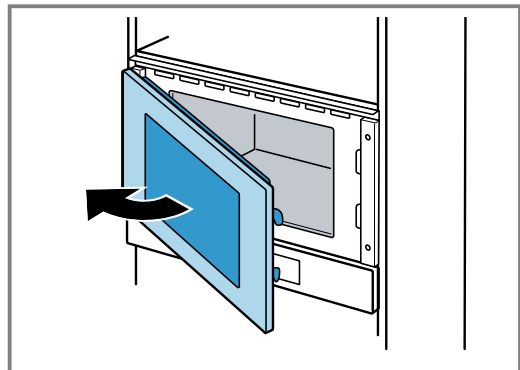


3. **¡ATENCIÓN!**

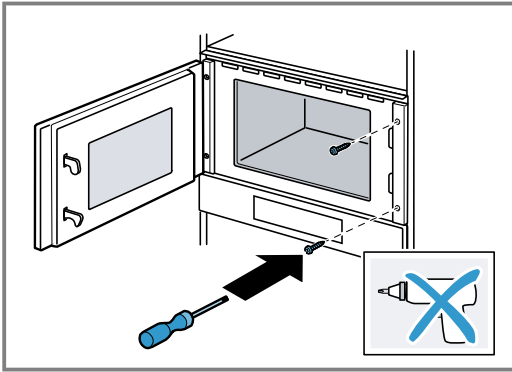
al abrir la puerta, el aparato puede inclinarse hacia delante.

- Sujetar el aparato en su posición al abrir la puerta.

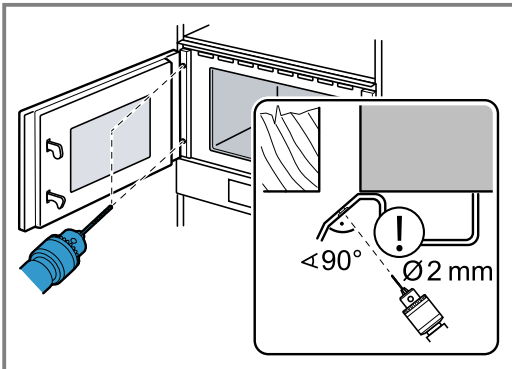
Abrir la puerta del aparato despacio.



4. Atornillar el aparato al mueble por el lado opuesto a la bisagra.



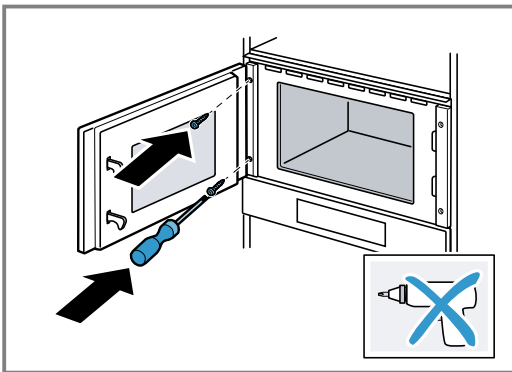
5. Pretaladrar en el mueble los orificios del atornillado del lado de la bisagra.



Tapar las bisagras de la puerta.

Utilizar una broca para madera de 2 mm de diámetro.

6. Retirar las virutas del compartimento de cocción.
7. Atornillar el aparato al mueble por el lado de la bisagra.



8. Retirar el material de embalaje y las láminas adherentes de la puerta y del compartimento de cocción.

16.8 Desmontar el aparato

1. Desconectar el aparato de la corriente.
2. Aflojar los tornillos de ajuste.
3. Levantar ligeramente el aparato y extraerlo por completo.

Índice

MANUAL DO UTILIZADOR

1	Segurança	52
2	Evite danos materiais	56
3	Proteção do meio ambiente e poupança	56
4	Familiarização	57
5	Antes da primeira utilização	59
6	Operação base	59
7	Micro-ondas	60
8	Programas	61
9	Temporizador	63
10	Regulações base	63
11	Limpeza e manutenção	64
12	Eliminar falhas	66
13	Eliminação	67
14	Assistência Técnica	67
15	Como obter bons resultados	68
16	INSTRUÇÕES DE MONTAGEM	73
16.2	Montagem segura	74

1 Segurança

Respeite as seguintes indicações de segurança.

1.1 Indicações gerais

- Leia atentamente este manual.
- Guarde estas instruções e as informações sobre o produto para posterior utilização ou para entregar a futuros proprietários.
- Se detetar danos de transporte, não ligue o aparelho.

1.2 Utilização correta

Os aparelhos apenas podem ser ligados por técnicos concessionados. A garantia cessa em caso de danos provocados por uma ligação incorreta.

Só com uma montagem especializada e em conformidade com as instruções de montagem, pode ser garantida a segurança durante a utilização. O instalador é responsável pelo funcionamento correto no local de montagem.

Utilize o aparelho apenas:

- para preparar alimentos e bebidas.
- sob supervisão. Supervisione ininterruptamente cozeduras de curta duração.
- Em aplicações domésticas e semelhantes, como, por exemplo: em cozinhas para colaboradores em lojas, escritórios e outras áreas comerciais; em propriedades agrícolas; de clientes em hotéis e outras instalações residenciais; em alojamentos com pequeno almoço incluído.
- a uma altitude até 4000 m acima do nível do mar.

Este aparelho está em conformidade com a norma EN 55011 ou CISPR 11. É um produto do grupo 2, classe B. O facto de pertencer ao grupo 2 significa que são utilizadas micro-ondas para aquecer os alimentos. A classe B significa que o aparelho foi concebido para uso doméstico.

1.3 Limitação do grupo de utilizadores

Este aparelho pode ser utilizado por crianças a partir dos 8 anos e por pessoas com capacidades físicas, sensoriais ou mentais reduzidas ou com falta de experiência e/ou conhecimentos, se forem devidamente supervisionadas ou instruídas na utilização com segurança do aparelho e tiverem compreendido os perigos daí resultantes.

As crianças não podem brincar com o aparelho.

A limpeza e a manutenção pelo utilizador não devem ser realizadas por crianças, a não ser que tenham uma idade igual ou superior a 15 anos e se encontrem sob vigilância.

As crianças menores de 8 anos devem manter-se afastadas do aparelho e do cabo de ligação.

1.4 Utilização segura

Insira sempre os acessórios corretamente no interior do aparelho.

AVISO – Risco de incêndio!

Os objetos inflamáveis armazenados no interior do aparelho podem incendiar-se.

- ▶ Nunca guarde objectos inflamáveis dentro do aparelho.
- ▶ Se sair fumo do aparelho, este deve ser desligado ou deve ser retirada a ficha da tomada e mantida a porta fechada, de modo a abafar eventuais chamas.

Os restos de comida soltos, gorduras e molhos de assados podem inflamar-se.

- ▶ Antes de utilizar, remova a sujidade grosseira do interior do aparelho, dos elementos de aquecimento e dos acessórios.

⚠ AVISO – Risco de queimaduras!

Os acessórios ou recipientes ficam muito quentes.

- ▶ Use sempre uma pega de cozinha para retirar os acessórios ou recipientes quentes do interior do aparelho.

Os vapores de álcool podem incendiar-se no interior quente do aparelho.

- ▶ Use apenas pequenas quantidades de bebidas com elevado teor de álcool nos alimentos.
- ▶ Abra a porta do aparelho com cuidado.

⚠ AVISO – Risco de escaldadura!

As peças que se encontram acessíveis ficam quentes durante o funcionamento do aparelho.

- ▶ Nunca toque nas peças quentes.
- ▶ Mantenha as crianças afastadas.

Ao abrir a porta do aparelho, pode sair vapor quente. Dependendo da temperatura, o vapor pode não ser visível.

- ▶ Abra a porta do aparelho com cuidado.
- ▶ Mantenha as crianças afastadas.

A água no interior quente do aparelho pode transformar-se em vapor de água quente.

- ▶ Nunca deite água no interior do aparelho quente.

⚠ AVISO – Risco de ferimentos!

O vidro riscado da porta do aparelho pode rachar.

- ▶ Não utilize produtos de limpeza abrasivos ou raspadores metálicos afiados para a limpeza do vidro da porta do aparelho, pois poderá riscar a superfície.

As dobradiças da porta do aparelho movimentam-se ao abrir e fechar a porta e pode entalar-se.

- ▶ Não coloque as mãos na zona das dobradiças.

Os componentes do interior da porta do aparelho podem ter arestas vivas.

- ▶ Use luvas de proteção.

⚠ AVISO – Risco de choque elétrico!

Reparações indevidas são perigosas.

- ▶ As reparações no aparelho apenas podem ser realizadas por técnicos qualificados.
- ▶ Para a reparação do aparelho só podem ser utilizadas peças sobresselentes originais.
- ▶ Se o cabo de alimentação deste aparelho sofrer algum dano, deverá ser substituído pelo fabricante ou pela sua Assistência Técnica, ou por um técnico devidamente qualificado para o efeito, para se evitarem situações de perigo.

É perigoso se o cabo elétrico tiver um isolamento danificado.

- ▶ Não permitir, em caso algum, que o cabo elétrico entre em contacto com componentes do aparelho quentes ou com fontes de calor.
- ▶ Não permitir, em caso algum, que o cabo elétrico entre em contacto com pontas afiadas ou arestas vivas.
- ▶ Não permitir, em caso algum, que o cabo elétrico seja dobrado, esmagado ou modificado.

A infiltração de humidade pode provocar um choque elétrico.

- ▶ Não utilizar aparelhos de limpeza a vapor ou de alta pressão para limpar o aparelho.

Um aparelho ou um cabo elétrico danificados são objetos perigosos.

- ▶ Nunca operar um aparelho danificado.
- ▶ Nunca operar um aparelho com a superfície fissurada ou quebrada.
- ▶ Para desligar o aparelho da fonte de alimentação nunca puxar pelo cabo elétrico. Remover o cabo elétrico sempre pela ficha.
- ▶ Se o aparelho ou o cabo elétrico estiver avariado, puxe o cabo ou a ficha da tomada ou desligue o fusível no quadro elétrico.
- ▶ Contactar a Assistência Técnica. → *Página 67*

⚠ AVISO – Perigo: magnetismo!

No painel de comandos ou nos comandos estão aplicados ímanes permanentes. Estes podem afetar implantes eletrónicos, p. ex., pacemakers ou bombas de insulina.

- ▶ Os portadores de implantes eletrónicos devem manter uma distância mínima de 10 cm em relação ao painel de comandos.

⚠️ AVISO – Risco de asfixia!

As crianças podem colocar o material de embalagem sobre a cabeça ou enrolar-se no mesmo e sufocar.

- ▶ Manter o material de embalagem fora do alcance das crianças.
- ▶ Não permitir que as crianças brinquem com o material de embalagem.

As crianças podem inalar ou engolir peças pequenas e sufocar.

- ▶ Manter as peças pequenas fora do alcance das crianças.
- ▶ Não permitir que as crianças brinquem com peças pequenas.

1.5 Micro-ondas

LER COM ATENÇÃO AS INSTRUÇÕES DE SEGURANÇA IMPORTANTES E GUARDAR PARA UMA UTILIZAÇÃO FUTURA

⚠️ AVISO – Risco de incêndio!

A utilização do aparelho para fins diferentes daqueles a que se destina é perigosa e pode causar danos. Por exemplo, pantufas, almofadas de sementes ou de cereais aquecidas no aparelho podem incendiar-se mesmo após algumas horas.

- ▶ Nunca seque alimentos ou vestuário com o aparelho.
- ▶ Nunca aqueça pantufas, almofadas de sementes ou cereais, esponjas, panos de limpeza húmidos e equivalentes com o aparelho.
- ▶ Use o aparelho apenas para a preparação de refeições e bebidas.

Os alimentos e as suas embalagens e recipientes podem incendiar-se.

- ▶ Nunca aqueça alimentos dentro de embalagens próprias para manter os alimentos quentes.
- ▶ Nunca aqueça, sem vigilância, alimentos dentro de recipientes de plástico, papel ou outros materiais inflamáveis.
- ▶ Nunca regule a potência de micro-ondas ou o respectivo tempo para valores demasiado elevados. Oriente-se pelos dados constantes nestas Instruções de serviço.
- ▶ Nunca seque alimentos no micro-ondas.
- ▶ Nunca descongele ou aqueça alimentos com baixo teor de água, p. ex., pão, com uma potência muito elevada do micro-ondas ou durante muito tempo.

O óleo alimentar pode incendiar-se.

- ▶ Nunca aqueça óleo alimentar sozinho no micro-ondas.

⚠️ AVISO – Risco de explosão!

Os líquidos ou outros alimentos aquecidos dentro de recipientes fechados podem facilmente explodir.

- ▶ Nunca aqueça líquidos ou outros alimentos dentro de recipientes fechados.

⚠️ AVISO – Risco de queimaduras!

Os alimentos com casca ou pele firme podem rebentar durante o aquecimento, e até mesmo depois.

- ▶ Nunca coza ovos com casca nem aqueça ovos cozidos com casca.
- ▶ Nunca cozinhe moluscos e crustáceos no aparelho.
- ▶ No caso de ovos estrelados ou escalfados pique previamente as gemas.
- ▶ A casca ou pele dos alimentos com casca ou pele firme, p. ex., maçãs, tomates, batatas ou salsichas, pode rebentar. Pique a casca ou a pele antes de os aquecer.

O calor não se distribui uniformemente na comida para bebés.

- ▶ Nunca aqueça comida para bebés em recipientes fechados.
- ▶ Retire sempre a tampa ou a tetina.
- ▶ Após o aquecimento, mexa ou agite bem.
- ▶ Antes de dar o alimento à criança, verifique a temperatura.

Os alimentos aquecidos emitem calor. Os recipientes podem ficar quentes.

- ▶ Use sempre uma pega de cozinha para retirar os recipientes ou acessórios do interior do aparelho.

No caso de alimentos embalados hermeticamente, a embalagem pode rebentar.

- ▶ Respeite sempre as indicações na embalagem.
- ▶ Use sempre pegas para retirar as refeições do interior do aparelho.

As peças que se encontram acessíveis ficam quentes durante o funcionamento do aparelho.

- ▶ Nunca toque nas peças quentes.
- ▶ Mantenha as crianças afastadas.

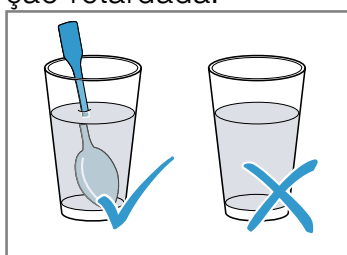
A utilização do aparelho para fins diferentes daqueles a que se destina é perigosa. Por exemplo pantufas, almofadas de sementes ou cereais, esponjas, panos de limpeza húmidos e equivalentes, quando aquecidos em excesso, podem provocar queimaduras.

- ▶ Nunca seque alimentos ou vestuário com o aparelho.
- ▶ Nunca aqueça pantufas, almofadas de sementes ou cereais, esponjas, panos de limpeza húmidos e equivalentes com o aparelho.
- ▶ Use o aparelho apenas para a preparação de refeições e bebidas.

⚠ AVISO – Risco de escaldadura!

Ao aquecer líquidos, pode ocorrer uma ebulição retardada. Ou seja, o líquido pode alcançar o ponto de ebulição sem que surjam as típicas bolhas de vapor. Aconselha-se cuidado ao agitar o recipiente, ainda que ligeiramente. O líquido quente pode subitamente deitar por fora e salpicar.

- ▶ Ao aquecer, coloque sempre uma colher dentro do recipiente. Assim, evita a ebulição retardada.



⚠ AVISO – Risco de ferimentos!

Os recipientes impróprios podem rebentar. Os recipientes de porcelana e cerâmica podem ter pequenos orifícios nas pegas e tampas. Por detrás desses orifícios esconde-se uma cavidade. A humidade que penetra na cavidade pode fazer rebentar o recipiente.

- ▶ Use exclusivamente recipientes próprios para micro-ondas.

Louça e recipientes de metal ou louça com elementos metálicos podem provocar faíscas no modo de microondas. O aparelho será danificado.

- ▶ Nunca use recipientes de metal no modo de microondas.
- ▶ Use exclusivamente recipientes próprios para micro-ondas.

⚠ AVISO – Risco de choque elétrico!

O aparelho trabalha com alta tensão.

- ▶ Nunca retire a caixa do aparelho.

⚠ AVISO – Risco de danos sérios para a saúde!

Uma limpeza deficiente pode destruir a superfície do aparelho, reduzir o tempo de vida útil e originar situações perigosas, como, por exemplo, a fuga de energia do micro-ondas.

- ▶ Limpe o aparelho regularmente e remova de imediato eventuais restos de comida.
- ▶ Mantenha o interior do aparelho, a porta e o batente da porta sempre limpos.

→ "Limpeza e manutenção", Página 64

Nunca opere o aparelho se a porta estiver danificada. Existe o perigo de escapar energia de micro-ondas.

- ▶ Nunca utilize o aparelho se a porta do aparelho ou o aro de plástico da porta estiverem danificados.
- ▶ Mandar reparar apenas pelo Serviço de Assistência Técnica.

Os aparelhos sem cobertura da caixa deixam escapar energia de micro-ondas.

- ▶ Nunca retire a cobertura da caixa.
- ▶ Para trabalhos de manutenção ou reparação, contacte o Serviço de Assistência Técnica.

2 Evite danos materiais

2.1 Informações gerais

ATENÇÃO!

Os vapores de álcool podem incendiar-se no interior quente do aparelho e causar danos duradouros ao aparelho. Em caso de deflagração, a porta do aparelho pode abrir-se bruscamente e, possivelmente, cair. Os vidros da porta podem quebrar-se e estilhaçar. Devido à pressão negativa resultante, o interior do aparelho pode ficar consideravelmente deformado para dentro.

- ▶ Não aquecer bebidas espirituosas ($\geq 15\%$ vol.) no estado não diluído (p. ex., para marinhar ou verter sobre os alimentos).

A presença prolongada de humidade no interior do aparelho provoca corrosão.

- ▶ Depois de cozinhar, remova a água de condensação.
- ▶ Não guarde alimentos húmidos durante muito tempo dentro do aparelho fechado.
- ▶ Não guarde alimentos no interior do aparelho.

A utilização da porta do aparelho como assento ou suporte pode danificar a porta do aparelho.

- ▶ Não se apoiar, não se sentar, não se pendurar nem se colocar sobre a porta do aparelho.

Consoante o tipo de aparelho, o acessório pode riscar o vidro da porta ao fechar a porta do aparelho.

- ▶ Insira os acessórios no interior do aparelho, sempre até ao batente.

2.2 Micro-ondas

Respeite estas indicações sempre que utilizar o micro-ondas.

ATENÇÃO!

Em caso de contacto entre o metal e a parede do interior do aparelho, surgem faíscas que podem danificar o aparelho ou destruir o vidro interior da porta.

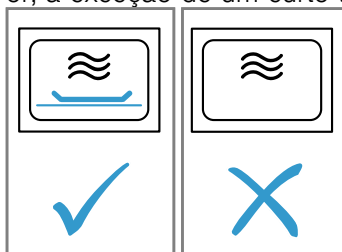
- ▶ O metal, p. ex., a colher dentro do copo, tem de ficar afastado, pelo menos, 2 cm das paredes do interior do aparelho e do interior da porta.

Formas de alumínio no interior do aparelho podem provocar faíscas. As faíscas causadas podem danificar o aparelho.

- ▶ Não coloque formas de alumínio no interior do aparelho.

O funcionamento do aparelho sem alimentos no seu interior causa uma sobrecarga.

- ▶ Nunca inicie o micro-ondas sem alimentos no interior, à exceção de um curto teste de loiça.



A confecção repetida e sucessiva de pipocas no microondas com uma potência do microondas demasiado elevada pode dar origem a danos no interior do aparelho.

- ▶ Entre as confecções, deixe que o aparelho arrefeça durante vários minutos.
- ▶ Nunca regule uma potência do microondas demasiado elevada.
- ▶ Utilize no máximo 600 W.
- ▶ Coloque o saco das pipocas sempre sobre um prato de vidro.

3 Proteção do meio ambiente e poupança

3.1 Eliminação da embalagem

Os materiais de embalagem são ecológicos e reutilizáveis.

- ▶ Separar os componentes e eliminá-los de acordo com o tipo de material.

3.2 Poupar energia

Se respeitar estas indicações, o seu aparelho irá consumir menos energia.

Ocultar o relógio no estado de vigília.

- O aparelho poupa energia no estado de vigília.

Nota:

O aparelho necessita:

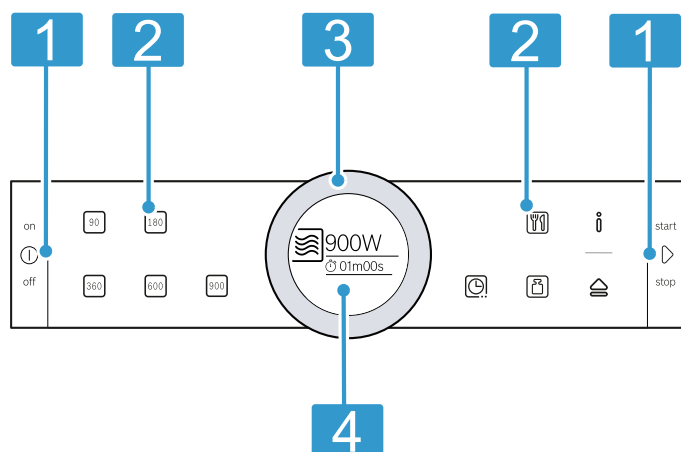
- em funcionamento com visor ligado, no máx., 1 W
- em funcionamento com visor desligado, no máx., 0,5 W

4 Familiarização

4.1 Painel de comandos

O painel de comandos permite regular todas as funções do seu aparelho e obter informações sobre o estado de operação.

Consoante o tipo de aparelho, poderão divergir alguns detalhes da figura, p. ex., a cor e a forma.



- 1 Teclas**
As teclas possuem um ponto de pressão. Prima a tecla para o acionamento.
- 2 Campos táteis**
Os campos táteis permitem-lhe regular diretamente diversas funções.
- 3 Anel de comando**
O anel de comando pode ser rodado continuamente para a esquerda ou para a direita. Pressione ligeiramente o anel de comando e rode-o com o dedo no sentido pretendido.
- 4 Visor**
O visor mostra valores de regulação atuais, possibilidades de seleção ou textos informativos.

Teclas

As teclas permitem-lhe seleccionar directamente diversas funções.

Símbolo	Tecla	Utilização
⓪	on/off	Ligar ou desligar o aparelho
▷	start/stop	Iniciar ou interromper o funcionamento

Zonas táteis

Os campos táteis são superfícies sensíveis ao toque. Para seleccionar uma função, toque no campo correspondente.

Símbolo	Zona tátil	Utilização
90	Potência do micro-ondas	Regular 90 W
180	Potência do micro-ondas	Regular 180 W
360	Potência do micro-ondas	Regular 360 W
600	Potência do micro-ondas	Regular 600 W
900	Potência do micro-ondas	Regular 900 W
🕒	Funções de tempo	Seleccionar funções de tempo
🍲	Programas	Seleccionar um programa
📏	Peso	Seleccionar o peso nos programas
ℹ️	Informação	Visualizar indicações ou aceder às regulações base premindo prolongadamente (aprox. 3 s)
🚪	Abertura automática da porta	Abrir porta do aparelho

Nota: Se \mathfrak{i} estiver aceso, toque em \mathfrak{i} para visualizar informações durante alguns segundos.

A zona tátil que aparece destacada no visor ou cujo valor se pode modificar no mesmo, acende-se a vermelho.

Anel de comando

Com o anel de comando altera os valores de regulação apresentados pelo visor.

Na maioria das listas de seleção, p. ex., Programas, após o último ponto começa novamente o primeiro ponto. Em algumas listas de seleção, p. ex., Tempo de duração, rode novamente o anel de comando para trás, quando é alcançado o valor mínimo ou máximo.

Visor

No visor são apresentados os valores de regulação atuais ou as opções possíveis.

Visor	Descrição
Destaque	O valor em destaque pode ser alterado diretamente, sem que tenha de selecionar previamente o valor. Depois de iniciado um modo de funcionamento, o tempo de duração está sempre em destaque.
Ampliação	Enquanto estiver a alterar o valor em destaque com o anel de comando, o visor só apresenta este valor de forma ampliada.

Linha anular

Na parte exterior do visor encontra-se a linha anular. Se alterar um valor, a linha anular indica-lhe em que local se encontra na lista de seleção.

Consoante a zona de regulação e comprimento da lista de seleção, a linha anular é contínua ou está subdividida em segmentos.

Durante o funcionamento do aparelho, a linha anular indica o progresso e vai ficando preenchida a vermelho numa cadência de segundo. Transcorrido cada minuto completo, os segmentos começam a preencher-se novamente desde o princípio. Se o tempo de duração estiver a decorrer, passado cada segundo apaga-se um segmento.

4.2 Interior do aparelho

As funções no interior do aparelho facilitam o funcionamento deste.

Iluminação do interior do aparelho

Quando abre a porta do aparelho, a iluminação do interior do aparelho acende-se. Se a porta do aparelho permanecer aberta durante mais de aprox. 5 minutos, a iluminação do interior do aparelho volta a desligar-se.

Na maioria dos tipos de aquecimento e das funções, a iluminação do interior do aparelho está ligada durante o funcionamento. Uma vez concluído o funcionamento, a iluminação do interior do aparelho desliga-se.

Ventoinha de arrefecimento

A turbina de arrefecimento liga e desliga-se conforme for necessário. O ar quente sai pela ranhura de ventilação por cima da porta do aparelho.

ATENÇÃO!

Tapar a ranhura de ventilação provoca um sobreaquecimento do aparelho.

► Não tape as ranhuras de ventilação.

Para que o interior do aparelho arrefeça mais rapidamente após o funcionamento, a ventoinha de arrefecimento continua a funcionar por um determinado período. Quando o aparelho está a funcionar no modo de micro-ondas, ele permanece frio, mas a ventoinha de arrefecimento liga-se. A ventoinha de arrefecimento pode continuar a trabalhar, mesmo depois de terminado o funcionamento do micro-ondas.

Água de condensação

Ao cozinhar pode surgir água de condensação no interior do aparelho e na porta do mesmo. A água de condensação é normal e não prejudica o funcionamento do aparelho. Depois de cozinhar, remova a água de condensação.

Puxador da porta automático

Se acionar o abridor da porta automático, a porta do aparelho abre-se. Pode abrir totalmente a porta do aparelho à mão.

Notas

- Em caso de falha de corrente, a abertura automática da porta não funciona. Pode abrir a porta à mão.
- Se abrir a porta do aparelho enquanto este estiver a funcionar, o funcionamento é interrompido.
- Quando fechar a porta do aparelho, o funcionamento não continua automaticamente. Inicie o funcionamento.
- Se o aparelho estiver desligado durante muito tempo, a porta do aparelho abre-se com atraso.

5 Antes da primeira utilização

Efetue as regulações para a primeira colocação em funcionamento. Limpe o aparelho e os acessórios.


5.1 Primeira colocação em funcionamento

Após a ligação à corrente ou após uma falha de corrente prolongada, surgem as regulações para a primeira colocação em funcionamento do seu aparelho.


Notas

- Poderá adaptar as regulações em qualquer momento nas regulações base.
→ "Regulações base", *Página 63*
- Abra e feche a porta do aparelho para efetuar a verificação interna antes da primeira colocação em funcionamento e após cada falha de corrente.

Regular o idioma

1. Regule o idioma pretendido com o anel de comando.
 2. Prima .
- ✓ O visor apresenta a regulação seguinte.

Acertar a hora

1. Acerte a hora com o anel de comando.
 2. Prima .
- ✓ No visor surge uma indicação de que a primeira colocação em funcionamento está concluída.

Nota: Nas

→ "Regulações base", *Página 63* define se o visor apresenta ou não a hora com o aparelho desligado.



5.2 Limpar o aparelho antes da primeira utilização

Limpe o interior do aparelho e o acessório, antes de preparar pela primeira vez refeições com o aparelho.

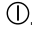
1. Certifique-se de que não há restos de embalagens, acessórios ou outros objetos no interior do aparelho.
2. Limpe as superfícies lisas no interior do aparelho com um pano macio e húmido.

6 Operação base

6.1 Ligar o aparelho


- ▶ Ligue o aparelho com .
- ✓ Todas as zonas táteis acendem-se a vermelho. O visor mostra o logotipo da Bosch e, depois, a potência máxima de micro-ondas.
- ✓ O aparelho está pronto a funcionar.
- ✓  acende-se a vermelho.


6.2 Desligar o aparelho

- ▶ Desligue o aparelho com .
- ✓ O aparelho cancela as funções em curso.
- ✓ O visor exibe a hora.

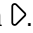

Nota: Se não estiver a precisar do aparelho, desligue-o. Se não for efetuada qualquer regulação durante um período de tempo prolongado, o aparelho desliga-se automaticamente.

6.3 Iniciar o funcionamento

- ▶ Inicie o funcionamento com .
- ✓ O visor apresenta as regulações.
- ✓ Surge a linha anular que apresenta a passagem do tempo de duração.

Nota: Se abrir a porta do aparelho durante o funcionamento, o aparelho interrompe o funcionamento e para o tempo decorrido regulado. Caso pretenda voltar a iniciar o funcionamento, feche a porta do aparelho e prima .

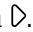
6.4 Interromper o funcionamento

1. Prima .
- ✓ O aparelho interrompe o funcionamento.
2. Para apagar todas as regulações, prima .

Nota: Se abrir a porta do aparelho, o aparelho interrompe o funcionamento. A ventoinha de arrefecimento pode continuar a funcionar após uma interrupção ou o cancelamento do funcionamento.

6.5 Regular o modo de funcionamento

Quando liga o aparelho, o visor apresenta o modo de funcionamento recomendado. Pode iniciar imediatamente o modo de funcionamento recomendado ou regular um outro modo de funcionamento.

1. Toque no campo do modo de funcionamento pretendido.
2. Altere a seleção em destaque com o anel de comando.
Se necessário, efetue outras regulações. Para tal, toque no respetivo campo e altere o valor com o anel de comando.
3. Prima .
- ✓ O aparelho começa a funcionar.

7 Micro-ondas

O micro-ondas permite-lhe cozinhar, aquecer ou descongelar os alimentos de forma particularmente rápida.

7.1 Recipientes e acessórios adequados para micro-ondas

Para aquecer uniformemente os seus alimentos e não danificar o seu aparelho, utilize recipientes e acessórios adequados.

Nota: Antes de utilizar recipientes para o micro-ondas, respeite as instruções do fabricante. Em caso de dúvida, efetue um teste de loiça.

Adequado para micro-ondas

Recipientes e acessórios	Motivo
Recipientes em material resistente ao calor e adequado para micro-ondas: <ul style="list-style-type: none"> ▪ Vidro ▪ Vitrocerâmica ▪ Porcelana ▪ Plástico termorresistente ▪ Cerâmica completamente vitrificada sem fissuras 	Estes materiais são permeáveis às micro-ondas. Os micro-ondas não danificam recipientes resistentes ao calor.
Talheres de metal	Nota: Para evitar a ebulição retardada, pode utilizar talheres de metal, p. ex., uma colher no vidro.

ATENÇÃO!

Em caso de contacto entre o metal e a parede do interior do aparelho, surgem faíscas que podem danificar o aparelho ou destruir o vidro interior da porta.

- ▶ O metal, p. ex., a colher dentro do copo, tem de ficar afastado, pelo menos, 2 cm das paredes do interior do aparelho e do interior da porta.

7.3 Potências do micro-ondas

Aqui encontra uma visão geral das potências do micro-ondas e da sua utilização.

Potência do micro-ondas em watts	Tempo de duração máximo	Utilização
90 W	1:30 horas	Descongelar alimentos sensíveis.
180 W	1:30 horas	Descongelar alimentos e continuar a cozinhar.
360 W	1:30 horas	Cozinhar carne e peixe ou aquecer alimentos sensíveis.
600 W	1:30 horas	Aquecer e cozinhar alimentos.
900 W	30 minutos	Aquecer líquidos. A potência máxima não está prevista para aquecer alimentos.

Valores recomendados

O aparelho recomenda um tempo de duração para cada potência do micro-ondas. Pode assumir este valor recomendado ou alterá-lo no respetivo intervalo.

Não adequado para micro-ondas

Recipientes e acessórios	Motivo
Recipientes metálicos	O metal não é permeável às micro-ondas. Os alimentos praticamente não aquecem.
Recipientes com decoração dourada ou prateada	Os micro-ondas podem danificar decorações douradas ou prateadas. Dica: Se o fabricante garantir que o recipiente é adequado para micro-ondas, poderá utilizar o recipiente.

7.2 Testar a adequação do recipiente para micro-ondas

Verifique se o recipiente é adequado para micro-ondas, realizando um teste de loiça. Só pode utilizar o modo de micro-ondas sem alimentos durante um teste de loiça.

⚠ AVISO – Risco de escaldadura!






As peças que se encontram acessíveis ficam quentes durante o funcionamento do aparelho.

- ▶ Nunca toque nas peças quentes.
 - ▶ Mantenha as crianças afastadas.
1. Coloque o recipiente vazio no interior do aparelho.
 2. Regule o aparelho para a potência máxima de micro-ondas durante ½ - 1 minuto.
 3. Inicie o funcionamento.
 4. Verifique várias vezes o recipiente:
 - Se o recipiente estiver frio ou morno, ele é adequado para o micro-ondas.
 - Se o recipiente estiver quente ou se se formarem faíscas, interrompa o teste de loiça. O recipiente não é adequado para o micro-ondas.



7.4 Regular o micro-ondas

Ao ligar o aparelho, surge sempre no visor a potência máxima do micro-ondas como sugestão.

1. Respeite as indicações de segurança. → *Página 54*
2. Respeite as indicações para evitar danos materiais. → *Página 56*

3. Observe as indicações relativas aos recipientes e acessórios adequados para micro-ondas. → *Página 60*
4. Prima .
 - ✓ O aparelho está pronto a funcionar. No visor é indicada como valor recomendado a potência máxima de micro-ondas. A potência do micro-ondas pode ser alterada a qualquer altura.
5. Toque no campo da potência do micro-ondas pretendida.
 - ✓ No visor é indicada a potência do micro-ondas e um tempo de duração recomendado.
 - ✓  acende-se a vermelho.
6. Regule o tempo de duração pretendido com o anel de comando.
7. Prima .
 - ✓ O aparelho começa a funcionar.
 - ✓ O tempo de duração começa a decrescer no visor.
 - ✓ Quando terminar o tempo de duração, ouve-se um sinal.
8. Para terminar antecipadamente o sinal, prima .
9. Desligar o aparelho com .

Notas

- Se premir , o visor apresenta por breves instantes a função de temporizador. Para prolongar o tempo de duração, prima  de novo.

- Se abrir a porta do aparelho a meio, a ventoinha de arrefecimento pode continuar a funcionar.

7.5 Alterar o tempo de duração


Pode alterar o tempo de duração a qualquer momento.

- ▶ Altere o tempo de duração com o anel de comando.
- ✓ O funcionamento é retomado.

7.6 Alterar a potência do micro-ondas

Pode alterar a potência do micro-ondas durante o funcionamento.

- ▶ Toque no campo para a potência do micro-ondas pretendida.
- ✓ O tempo de duração permanece inalterado.
- ✓ O funcionamento é retomado.

Nota: Se o tempo de duração regulado exceder o tempo de duração máximo para a potência do micro-ondas de 900 W, o aparelho reduz automaticamente o tempo de duração. O funcionamento não é retomado. Inicie o funcionamento com .

8 Programas

Os programas auxiliam o seu aparelho durante a preparação de diferentes refeições e selecionam automaticamente as regulações ideais.

8.1 Indicações sobre as regulações para refeições

Para obter um resultado de cozedura perfeito, observe estas indicações.

- Utilize apenas alimentos em perfeito estado.
- Retire os alimentos da embalagem e pese-os. Se não for possível regular o peso exato no aparelho, arredonde-o para cima ou para baixo.
- Utilize apenas recipientes resistentes ao calor e adequados para micro-ondas, p. ex., de vidro ou cerâmica.
- Coloque os alimentos no forno frio.

Descongelação automática

- Congele os alimentos a -18 °C, planos e nas porções certas.
- Coloque os alimentos congelados num recipiente raso, p. ex., num prato de vidro ou de porcelana.
- Os alimentos podem não estar totalmente descongelados após o fim do programa. No entanto, os alimentos podem continuar a ser preparados sem problemas.
- Ao descongelar carne ou aves, produz-se líquido. Ao virar, remova o líquido. Não o reutilize nem o faça entrar em contacto com outros alimentos.

- A carne picada que já está descongelada deve ser retirada depois de ter sido virada.
- As aves inteiras devem ser primeiro colocadas com a parte do peito sobre o recipiente e os pedaços de aves com a parte da pele.

Legumes

- Legumes frescos: corte em pedaços do mesmo tamanho. Por cada 100 g, acrescente uma colher de sopa de água.
- Legumes congelados: são apenas adequados legumes branqueados e não pré-cozinhados. Os legumes ultracongelados com molhos à base de natas não são adequados. Adicione 1 a 3 colheres de sopa de água. Não acrescente água para preparar espinafres ou couve roxa.

Batatas

- Batatas cozidas: corte em pedaços do mesmo tamanho. Por cada 100 g, acrescente duas colheres de sopa de água e um pouco de sal.
- Batatas cozidas, com pele: utilize batatas com a mesma espessura. Lave-as e pique a casca. Coloque as batatas ainda húmidas num recipiente sem água.
- Batatas assadas no forno: utilize batatas com a mesma espessura. Lave-as, seque-as e pique a casca.

Arroz

- Não utilize arroz integral ou arroz em sacos de cozinhar.
- Adicione duas vezes a duas vezes e meia a quantidade de água ao arroz.

Tempo de repouso

Algumas refeições necessitam ainda de um período de repouso no interior do aparelho, após o fim do programa.

Prato	Tempo de repouso
Legumes	aprox. 5 minutos
Batatas	aprox. 5 minutos Escoe previamente a água que se formou
Arroz	aprox. 5-10 minutos

8.2 Regular o programa

1. Prima .

- ✓ O aparelho está pronto a funcionar.

8.3 Tabela de programas

Os programas permitem-lhe preparar alimentos de forma simples. Basta seleccionar o programa e introduzir o peso dos alimentos. O programa encarrega-se de realizar a regulação ideal.

Descongelar

Prato	Alimentos adequados	Faixa de peso em kg	Loiça/acessórios
Descongelar pão ¹	Pão, inteiro, redondo ou alongado, pão em fatias, bolos de massa batida, bolos de massa lêveda, bolos de fruta, bolos sem cobertura, natas ou gelatina	0,20 – 1,50	Recipiente raso, aberto Base do aparelho
Descongelar carne ¹	Assados, pedaços de carne planos, carne picada, frango	0,20 – 2,00	Recipiente raso, aberto Base do aparelho
Descongelar peixe ¹	Peixe inteiro, filetes de peixe, postas de peixe	0,10 – 1,00	Recipiente raso, aberto Base do aparelho




¹ Ter atenção ao sinal para virar os alimentos.

Cozinhar

Prato	Alimentos adequados	Faixa de peso em kg	Loiça/acessórios
Legumes, frescos ¹	Couve-flor, brócolos, cenouras, rábano, alho francês, pimentos, curgetes	0,15 – 1,00	Recipiente fechado Base do aparelho
Legumes, congelados ¹	Couve-flor, brócolos, cenouras, rábano, couve roxa, espinafres	0,15 – 1,00	Recipiente fechado Base do aparelho
Batatas cozidas	Batatas com ou sem casca, batatas aos pedaços do mesmo tamanho	0,20 – 1,00	Recipiente fechado Base do aparelho
Arroz ¹	Arroz agulha	0,05 – 0,30	Recipiente alto, fechado Base do aparelho

¹ Ter atenção ao sinal para mexer os alimentos.

2. Prima .

- ✓ O visor mostra o primeiro programa.
- 3. Regule o programa pretendido com o anel de comando.
- 4. Prima .
- ✓ O visor mostra um valor recomendado para o peso.
- 5. Regule o peso pretendido com o anel de comando.
- 6. Prima .
- ✓ O aparelho começa a funcionar.
- ✓ O tempo de duração começa a decrescer no visor.
- 7. Se, durante o programa, surgirem no visor indicações para virar ou mexer:
 - Abrir a porta do aparelho.
 - Distribua, mexa ou vire os alimentos.
 - Feche a porta do aparelho.
 - Prima .



Nota: Mesmo que não vire ou mexa a refeição, o programa continua normalmente até ao fim. Os programas calculam o tempo de duração.


9 Temporizador

Pode definir um tempo do temporizador, após o qual soa um sinal. Pode regular um tempo do temporizador de, no máximo, 24 horas.


A função decorre independentemente do funcionamento e de outras funções de tempo. O sinal do temporizador distingue-se de outros sinais.


9.1 Regular o temporizador

1. Prima .
 - ✓ O visor apresenta o temporizador.
2. Regule o tempo de temporizador com o anel de comando.
3. Prima .
 - O temporizador também inicia o seu funcionamento automaticamente após alguns segundos.
 - ✓ O tempo do temporizador transcorre.
 - ✓ Após um breve período de tempo, a indicação regressa ao início.
 - ✓ O visor apresenta também um símbolo de despertador.

- ✓ Uma vez terminado o tempo do temporizador, soa um sinal.
4. Para terminar antecipadamente o sinal, prima .

9.2 Alterar o temporizador

1. Prima .
 - ✓ O visor apresenta o temporizador.
2. Altere o tempo do temporizador com o anel de comando.

Nota: Se estiver em curso um modo de funcionamento com tempo de duração regulado, então este tempo encontra-se em destaque. Pode selecionar o temporizador com . O tempo do temporizador está em destaque durante algum tempo. Pode alterar o tempo do temporizador.

9.3 Cancelar o temporizador

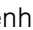




- ▶ Reponha o tempo do temporizador.
- ✓ Depois de aceite, o símbolo deixa de estar aceso.

10 Regulações base

Pode ajustar as regulações base do seu aparelho às suas necessidades.


10.1 Alterar a regulação base

Requisito: O aparelho está desligado.

1. Mantenha  premido durante aprox. 3 segundos.
 - ✓ No visor surgem indicações sobre a evolução.
2. Confirme as indicações com .
 - ✓ No visor surge a primeira regulação "Idioma".
3. Se necessário, altere a regulação com o anel de comando.
4. Prima .
 - ✓ A regulação seguinte aparece no visor e pode ser alterada com o anel de comando.
5. Percorra todas as indicações  e, se necessário, altere-as com o anel de comando.
6. Para guardar alterações, mantenha  premido durante aprox. 3 segundos.
 - ✓ No visor surge uma indicação de que as regulações foram memorizadas.

Nota: Após uma falha de energia, as alterações que efetuou às regulações base mantêm-se.

10.2 Cancelar a alteração das regulações base

- ▶ Prima .
- ✓ Todas as alterações são rejeitadas e não são guardadas.

10.3 Vista geral das regulações base

Aqui encontra uma vista geral das regulações base e das definições de fábrica. As regulações base dependem das características do seu aparelho.

Notas

- As alterações das regulações relativas ao idioma, ao som das teclas e à luminosidade do painel têm efeitos imediatos. Todas as outras regulações só têm efeitos quando as memorizar.
- As alterações que efetuou às regulações base mantêm-se mesmo após uma falha de energia. Após uma falha de corrente, apenas terá de efetuar novamente as regulações da primeira colocação em funcionamento.
→ "Primeira colocação em funcionamento", Página 59

Regulações base	Seleção
Idioma	Regular "Idioma"
Hora	Regular "Hora "
Sinal sonoro	Tempo de duração curto Tempo de duração médio ¹ Tempo de duração longo
Som das teclas	Desligado ¹ Ligado
Luminosidade do visor	Luminosidade do visor é regulável em 5 níveis Nível 3 ¹
Indicação das horas	Ligado ¹ Desligado

¹ Definição de fábrica (pode divergir consoante o tipo de aparelho)

Regulações base	Seleção
Escurecimento noturno	Desligado ¹ Ligado (visor escurecido entre as 22:00 e as 06:00 horas)
Modo de demonstração	Desligado ¹ Desligado (indicado apenas nos primeiros 3 minutos após uma reposição ou a primeira colocação em funcionamento)
Regulações de fábrica	Repor Não repor ¹

¹ Definição de fábrica (pode divergir consoante o tipo de aparelho)

Nota: Alterações das regulações relativas ao idioma, ao som das teclas e à luminosidade do visor têm efeitos imediatos. Todas as outras regulações só depois de memorizadas.

10.4 Alterar a hora

Requisito: O aparelho está desligado.

- Mantenha **î** premido durante aprox. 3 segundos.
 - ✓ No visor surgem indicações sobre a evolução.
- Confirme as indicações com **Ⓢ**.
 - ✓ No visor surge a primeira regulação "Idioma".
- Prima **Ⓢ**.
 - ✓ Surge a regulação da hora.
- Altere a hora com o anel de comando.
- Para guardar alterações, mantenha **î** premido durante aprox. 3 segundos.
 - ✓ No visor surge uma indicação de que as regulações foram memorizadas.

11 Limpeza e manutenção

Para que o seu aparelho se mantenha durante muito tempo operacional, deve proceder a uma limpeza e manutenção cuidadosa do mesmo.

11.1 Produto de limpeza

Utilize apenas produtos de limpeza adequados.

⚠ AVISO – Risco de choque elétrico!

A penetração de humidade pode provocar choques elétricos.

- ▶ Não utilizar aparelhos de limpeza a vapor ou de alta pressão para limpar o aparelho.

ATENÇÃO!

Produtos de limpeza inadequados danificam as superfícies do aparelho.

- ▶ Não utilize produtos de limpeza agressivos ou abrasivos.
- ▶ Não utilizar produtos de limpeza com elevado teor de álcool.
- ▶ Não utilizar esfregões de palha-de-aço ou esponjas abrasivas.
- ▶ Não utilizar produtos de limpeza especiais para limpeza a quente.
- ▶ Apenas utilizar produtos limpa-vidros, produtos de limpeza de aço inoxidável e o raspador para vidros, se as instruções de limpeza os recomendarem para a peça em causa.

Panos esponja novos contêm resíduos resultantes da produção.

- ▶ Lavar bem os panos esponja novos, antes de os utilizar.

Consulte nas instruções de limpeza individuais que produtos de limpeza são adequados para cada uma das superfícies e peças.

11.2 Limpar o aparelho

Limpe o aparelho conforme especificado, para que as diferentes peças e superfícies não sejam danificadas devido a uma limpeza errada ou a produtos de limpeza inadequados.

⚠ AVISO – Risco de incêndio!

Os restos de comida soltos, gorduras e molhos de assados podem inflamar-se.

- ▶ Antes de utilizar, remova a sujidade grosseira do interior do aparelho, dos elementos de aquecimento e dos acessórios.

⚠ AVISO – Risco de ferimentos!

O vidro riscado da porta do aparelho pode rachar.

- ▶ Não utilize produtos de limpeza abrasivos ou raspadores metálicos afiados para a limpeza do vidro da porta do aparelho, pois poderá riscar a superfície.

- Observe as indicações relativas aos produtos de limpeza. → *Página 64*
- Respeite as indicações relativas à limpeza dos componentes do aparelho ou de superfícies.
- Salvo indicação contrária:
 - Limpe os componentes do aparelho com uma solução quente à base de detergente e um pano multiusos.
 - Seque com um pano macio.

11.3 Limpar o interior do aparelho

ATENÇÃO!

Uma limpeza incorreta pode danificar o interior do aparelho.

- ▶ Não utilize spray para fornos, produtos abrasivos ou outros produtos limpa-fornos agressivos.

- Observe as indicações relativas aos produtos de limpeza. → *Página 64*
- Limpe com solução quente à base de detergente ou água e vinagre.
- Em caso de forte sujidade, utilize um produto limpa-fornos.

Utilize o produto limpa-fornos apenas com o interior do aparelho frio.

Dica: Para eliminar odores desagradáveis, aqueça uma chávena de água com alguns gotas de sumo de limão durante 1 a 2 minutos com potência máxima de micro-ondas. Para evitar uma ebulição retardada, coloque sempre uma colher no recipiente.

4. Limpe o interior do aparelho com um pano macio.
5. Deixe secar o interior do aparelho com a porta aberta.

11.4 Limpar a frente do aparelho

ATENÇÃO!

Uma limpeza incorreta pode danificar a parte frontal do aparelho.

- ▶ Não limpe com limpa-vidros, com raspador metálico ou com raspadores para vidros.
 - ▶ Para evitar corrosão em frentes de aço inoxidável, remova de imediato manchas de calcário, manchas de gordura, manchas de amido e manchas de clara de ovo.
 - ▶ Nas superfícies em aço inoxidável, utilize um produto de conservação específico para aço inoxidável para superfícies quentes.
1. Observe as indicações relativas aos produtos de limpeza. → *Página 64*
 2. Limpe a frente do aparelho com uma solução quente à base de detergente e um pano multiusos.
Nota: Podem ocorrer pequenas diferenças de cor na frente do aparelho provocadas por diversos materiais, p. ex., vidro, plástico ou metal.
 3. Em frentes de aparelho de aço inoxidável, aplique uma camada fina de produto de conservação de aço inoxidável com um pano macio.
Os produtos de conservação de aço inoxidável podem ser adquiridos junto da Assistência técnica ou no comércio especializado.
 4. Secar com um pano macio.

11.5 Limpar o painel de comandos

ATENÇÃO!

Uma limpeza incorreta pode danificar o painel de comandos.

- ▶ Nunca limpe o painel de comandos de forma a ficar molhado.
1. Observe as indicações relativas aos produtos de limpeza. → *Página 64*
 2. Limpe o painel de comandos com um pano de microfibras ou um pano macio húmido.
 3. Secar com um pano macio.

11.6 Limpar os vidros da porta

ATENÇÃO!

Uma limpeza incorreta pode danificar os vidros da porta.

- ▶ Não utilize raspadores para vidros.
1. Observe as indicações relativas aos produtos de limpeza. → *Página 64*
 2. Limpe os vidros da porta com um pano multiusos húmido e um produto limpa-vidros.
Nota: Sombras nos vidros da porta, semelhantes a estrias, são reflexos luminosos da iluminação do interior do aparelho.
 3. Secar com um pano macio.

11.7 Limpar o vedante da porta

ATENÇÃO!

Uma limpeza incorreta pode danificar o vedante da porta.

- ▶ Não limpe com um raspador metálico ou com um raspador para vidros.
 - ▶ Não utilizar produtos de limpeza abrasivos.
1. Observe as indicações relativas aos produtos de limpeza. → *Página 64*
 2. Limpe o vedante da porta com uma solução quente à base de detergente e um pano multiusos macio.
 3. Secar com um pano macio.

11.8 Assistência de limpeza

A assistência de limpeza é uma alternativa rápida intercalar à limpeza do interior do aparelho. A assistência de limpeza amolece a sujidade através da evaporação de solução à base de detergente. Depois disso é mais fácil remover a sujidade.

Regular a assistência de limpeza

1. Deite algumas gotas de detergente numa chávena com água.
2. Para evitar a ebulição retardada, coloque uma colher na chávena.
3. Coloque a chávena no centro do interior do aparelho.
4. Regule a potência de microondas de 600 W.
5. Regule um tempo de duração de 5 minutos.
6. Inicie o microondas.
7. Terminado o tempo de duração, mantenha a porta fechada por mais 3 minutos.
8. Limpe o interior do aparelho com um pano macio.
9. Deixe secar o interior do aparelho com a porta aberta.

12 Eliminar falhas

Pequenas anomalias no aparelho podem ser eliminadas pelo próprio utilizador. Antes de contactar a Assistência técnica, consulte as informações sobre a eliminação de anomalias. Isto permite evitar custos desnecessários.

⚠ AVISO – Risco de ferimentos!

Reparações indevidas são perigosas.

- ▶ As reparações no aparelho apenas podem ser realizadas por técnicos qualificados.
- ▶ Se o aparelho estiver avariado, contacte a Assistência técnica.
→ "Assistência Técnica", Página 67

⚠ AVISO – Risco de choque elétrico!

Reparações indevidas são perigosas.

- ▶ As reparações no aparelho apenas podem ser realizadas por técnicos qualificados.
- ▶ Para a reparação do aparelho só podem ser utilizadas peças sobresselentes originais.
- ▶ Se o cabo de alimentação deste aparelho sofrer algum dano, deverá ser substituído pelo fabricante ou pela sua Assistência Técnica, ou por um técnico devidamente qualificado para o efeito, para se evitarem situações de perigo.

12.1 Falhas de funcionamento

Avaria	Causa e diagnóstico
O aparelho não funciona.	A ficha do cabo de alimentação não está inserida. ▶ Ligue o aparelho à corrente elétrica. O fusível na caixa de fusíveis foi acionado. ▶ Verifique o fusível na caixa de fusíveis.
	Faltou a alimentação elétrica. ▶ Verifique se a iluminação ambiente ou outros aparelhos no mesmo espaço estão a funcionar.
	Falha de funcionamento 1. Desligue o disjuntor no quadro elétrico. 2. Volte a ligar o disjuntor após aprox. 10 segundos. ✓ Se a anomalia tiver sido única, a mensagem apaga-se. 3. Se a mensagem surgir novamente, contacte a Assistência técnica. No contacto deve indicar com precisão a mensagem de erro. → "Assistência Técnica", Página 67
Não é possível colocar o aparelho em funcionamento.	A porta do aparelho não está totalmente fechada. ▶ Feche a porta do aparelho.
Aparelho não aquece, no visor acende-se o símbolo ☐	O modo de demonstração está ativado. 1. Desligue o aparelho da corrente, desligando, por breves instantes, o disjuntor no quadro elétrico. 2. Desative o modo de demonstração num espaço de 3 minutos, nas regulações base.
O anel de comando caiu do suporte.	O anel de comando foi desengatado. 1. Coloque o anel de comando no suporte no painel de comandos. 2. Pressione o anel de comando para dentro do suporte até que engate e se deixe rodar.
O anel de comando deixou de rodar facilmente.	Há sujidade por baixo do anel de comando. O anel de comando é amovível. Nota: Não retire o anel de comando demasiadas vezes, para manter o suporte intacto. 1. Para soltar o anel de comando, pressione o bordo exterior do anel de comando. ✓ O anel de comando inclina e deixa-se agarrar mais facilmente. 2. Extraia o anel de comando do suporte. 3. Lave o anel de comando e o seu suporte no aparelho cuidadosamente com uma solução à base de detergente e um pano multiuso. Não utilize produtos fortes ou abrasivos. Não amoleça o anel de comando. Não limpe o anel de comando numa máquina de lavar loiça. 4. Seque o anel de comando com um pano macio.
A iluminação do interior do aparelho não funciona.	Iluminação do interior do aparelho está avariada ▶ Contacte a → "Assistência Técnica", Página 67.

12.2 Indicações no painel de indicações

Avaria	Causa e diagnóstico
No visor aparece a mensagem de erro "Exxx"	Ocorreu um erro. <ol style="list-style-type: none"> Se o visor apresentar uma mensagem de erro, desligue e volte a ligar o aparelho. Se o visor deixar de apresentar a mensagem de erro, tratou-se de um problema pontual. <ul style="list-style-type: none"> Se o visor continuar ou voltar a apresentar a mensagem de erro, contacte a assistência técnica e forneça o código de erro. Se o visor apresentar a mensagem de erro E0532, abra e feche a porta do aparelho. Se o visor apresentar a mensagem de erro E6501, desligue o aparelho e volte a ligá-lo após 10 minutos.

13 Eliminação

13.1 Eliminar o aparelho usado

Através duma eliminação compatível com o meio ambiente, podem ser reutilizadas matérias-primas valiosas.

- Desligar a ficha de rede do cabo elétrico.
- Cortar o cabo elétrico.
- Elimine o aparelho de forma ecológica.
Para obter mais informações sobre os procedimentos atuais de eliminação, contacte o seu Agente Especializado ou os Serviços Municipais da sua zona.



Este aparelho está marcado em conformidade com a Directiva 2012/19/UE relativa aos resíduos de equipamentos eléctricos e electrónicos (waste electrical and electronic equipment - WEEE).

A directiva estabelece o quadro para a criação de um sistema de recolha e valorização dos equipamentos usados válido em todos os Estados Membros da União Europeia.

14 Assistência Técnica

Pode obter informações detalhadas sobre o período e as condições de garantia no seu país junto da nossa Assistência Técnica, do comerciante ou na nossa página web.

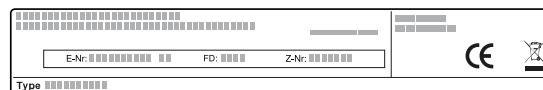
Se contactar a Assistência Técnica, deve ter à mão o número de produto (E-Nr.) e o número de fabrico (FD) do seu aparelho.

Os dados de contacto da Assistência Técnica encontram-se no registo de pontos de Assistência Técnica em anexo ou na nossa página web.

Este produto dispõe de fontes de luz da classe de eficiência energética E. As fontes de luz estão disponíveis como peça de reposição e só podem ser substituídas por pessoal especializado.

14.1 Número do produto (E-Nr.) e número de fabrico (FD)

Encontra o número de produto (E-Nr.) e o número de fabrico (FD) na placa de características do aparelho. Encontra a placa de características com os números quando abre a porta do aparelho.



Aponte os dados para ter sempre à mão os dados do seu aparelho e o número de telefone da Assistência Técnica.

15 Como obter bons resultados

Encontrará aqui as regulações adequadas, bem como os melhores acessórios e recipientes, para diferentes pratos. Adaptámos as recomendações na perfeição ao seu aparelho.

15.1 Como proceder da melhor forma

Aqui ficará a saber como proceder, passo a passo, para tirar o máximo proveito das recomendações de regulação. Receberá indicações a respeito de muitas refeições, com informações e dicas, para uma utilização e regulação ideais do aparelho.

Dica

Indicações de preparação

- As regulações recomendadas aplicam-se sempre ao interior do aparelho frio e vazio.
- Os tempos indicados nas visões gerais são meros valores de referência. Dependem da qualidade e da composição dos alimentos.

⚠ AVISO – Risco de queimaduras!

Os alimentos com casca ou pele firme podem rebentar durante o aquecimento, e até mesmo depois.

- ▶ Nunca coza ovos com casca nem aqueça ovos cozidos com casca.
- ▶ Nunca cozinhe moluscos e crustáceos no aparelho.
- ▶ No caso de ovos estrelados ou escalfados pique previamente as gemas.
- ▶ A casca ou pele dos alimentos com casca ou pele firme, p. ex., maçãs, tomates, batatas ou salsichas, pode rebentar. Pique a casca ou a pele antes de os aquecer.

Descongela com micro-ondas

Nota:

Indicações de preparação

- Congelar os alimentos planos.
- Utilize recipientes abertos e próprios para micro-ondas.
- Coloque o recipiente na base do aparelho.
- Entretanto mexa ou vire os alimentos 2 a 3 vezes. Ao virar, remova o líquido resultante da descongelação.
- Ao descongelar carne ou aves, produz-se líquido. Ao virar, remova o líquido. Não o reutilize nem o faça entrar em contacto com outros alimentos.
- A carne picada que já está descongelada deve ser retirada depois de ter sido virada.
- Ao virar, separar as partes descongeladas.
- Deixe repousar os alimentos durante 10-60 minutos após o descongelamento.

Alimentos	Peso	Potência do micro-ondas	Tempo de duração
Carne inteira, com e sem osso	800 g	1. 180 W	1. 15 min ¹
		2. 90 W	2. 15-25 min
Carne inteira, com e sem osso	1000 g	1. 180 W	1. 20 min ¹
		2. 90 W	2. 20-30 min ¹

¹ Virar várias vezes o alimento.

² Ao virar, separar as partes descongeladas.

³ Mexer cuidadosamente, de vez em quando, o alimento.

⁴ Remover a embalagem por completo.

⁵ Descongele apenas bolos sem cobertura, natas, gelatina ou creme.

⁶ Separar os pedaços de bolo uns dos outros.

1. Antes da utilização, retire do interior do aparelho os recipientes de que não necessita.
2. Selecione um alimento pretendido a partir das recomendações de regulação.
3. Coloque o alimento num recipiente adequado.
4. Coloque o recipiente no centro da base do aparelho.
Desta forma, as micro-ondas conseguem chegar aos alimentos por todos os lados.
5. Regule o aparelho de acordo com as recomendações de regulação.
Regule primeiro o tempo de duração mais curto. Se for necessário, prolongue o tempo de duração.
6. Ao retirar recipientes quentes do interior do aparelho, utilize pegas.

15.2 Descongela, aquecer e cozinhar com micro-ondas

Recomendações de regulação para descongelar, aquecer e cozinhar com micro-ondas.

O tempo de duração depende do recipiente e da temperatura, bem como da composição e da quantidade dos alimentos. Por isso, a tabela contém intervalos de referência. Experimente utilizar primeiro um valor mais baixo e, se necessário, da próxima vez regule um mais elevado. Pode acontecer que tenha quantidades que não correspondem às indicadas nas tabelas. Para isso existe uma fórmula empírica: dobro da quantidade - quase o dobro do tempo, metade da quantidade - metade do tempo.

Alimentos	Peso	Potência do micro-ondas	Tempo de duração
Carne inteira, com e sem osso	1500 g	1. 180 W 2. 90 W	1. 25 min ¹ 2. 25-30 min ¹
Carne em pedaços ou fatias	200 g	1. 180 W 2. 90 W	1. 5-8 min ² 2. 5-10 min
Carne em pedaços ou fatias	500 g	1. 180 W 2. 90 W	1. 8-11 min ² 2. 10-15 min
Carne em pedaços ou fatias	800 g	1. 180 W 2. 90 W	1. 10 min ² 2. 10-15 min
Carne mista picada	200 g	90 W	10-15 min ¹
Carne mista picada	500 g	1. 180 W 2. 90 W	1. 5 min ¹ 2. 10-15 min
Carne mista picada	1000 g	1. 180 W 2. 90 W	1. 15 min ¹ 2. 10-15 min
Aves ou pedaços de aves	600 g	1. 180 W 2. 90 W	1. 8 min ¹ 2. 10-15 min
Aves ou pedaços de aves	1200 g	1. 180 W 2. 90 W	1. 15 min ¹ 2. 20-25 min
Filete de peixe, posta de peixe ou fatias de peixe	400 g	1. 180 W 2. 90 W	1. 5 min 2. 10-15 min
Peixe inteiro	300 g	1. 180 W 2. 90 W	1. 3 min ¹ 2. 10-15 min
Peixe inteiro	600 g	1. 180 W 2. 90 W	1. 8 min ¹ 2. 15-20 min
Legumes, p. ex., ervilhas	300 g	180 W	10-15 min ³
Fruta, p. ex., framboesas	300 g	180 W	6-9 min ³
Fruta, p. ex., framboesas	500 g	1. 180 W 2. 90 W	1. 8 min 2. 5-10 min ³
Manteiga, descongelar ⁴	125 g	1. 180 W 2. 90 W	1. 1 min ⁴ 2. 1-2 min
Manteiga, descongelar ⁴	250 g	1. 180 W 2. 90 W	1. 1 min 2. 2-4 min
Pão inteiro	500 g	1. 180 W 2. 90 W	1. 8 min ¹ 2. 5-10 min
Pão inteiro	1000 g	1. 180 W 2. 90 W	1. 12 min ¹ 2. 10-20 min
Bolo, seco, p. ex., bolo de massa batida ^{5, 6}	500 g	90 W	10-15 min
Bolo, seco, p. ex., bolo de massa batida ^{5, 6}	750 g	1. 180 W 2. 90 W	1. 5 min 2. 10-15 min
Bolo, suculento, p. ex., bolo de fruta, cheesecake ⁵	500 g	1. 180 W 2. 90 W	1. 5 min 2. 15-20 min
Bolo, suculento, p. ex., bolo de fruta, cheesecake ⁵	750 g	1. 180 W 2. 90 W	1. 7 min 2. 15-20 min

¹ Virar várias vezes o alimento.

² Ao virar, separar as partes descongeladas.

³ Mexer cuidadosamente, de vez em quando, o alimento.

⁴ Remover a embalagem por completo.

⁵ Descongele apenas bolos sem cobertura, natas, gelatina ou creme.

⁶ Separar os pedaços de bolo uns dos outros.

Dicas para voltar a congelar, aquecer e cozinhar com micro-ondas

Tenha em atenção estas dicas para obter bons resultados ao descongelar, aquecer e cozinhar com micro-ondas.

Problemas	Dica
O seu cozinhado está demasiado seco.	<ul style="list-style-type: none"> ■ Reduza o tempo de duração ou selecione uma potência do micro-ondas inferior. ■ Tape o cozinhado e adicione mais líquido.
Após o fim do tempo, o prato ainda não está descongelado, aquecido ou cozinhado.	Prolongue o tempo de duração. As quantidades maiores e os cozinhados altos necessitam de mais tempo.

Problemas	Dica
Após o fim do tempo, o seu cozinhado ainda não está pronto no interior, embora esteja demasiado quente por fora.	<ul style="list-style-type: none"> ■ Mexa de vez em quando. ■ Reduza a potência do micro-ondas e prolongue o tempo de duração.
Após o descongelamento, a sua carne ou aves ainda não estão descongeladas por dentro, embora já estejam cozidas por fora.	<ul style="list-style-type: none"> ■ Reduza a potência do micro-ondas. ■ Vire várias vezes os alimentos descongelados grandes.

15.3 Aquecer

O seu aparelho permite-lhe aquecer alimentos.

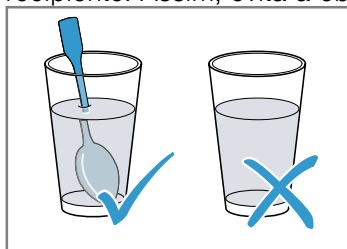
Aquecer com micro-ondas

Observe as recomendações de regulação para aquecer com micro-ondas.

⚠ AVISO – Risco de escaldadura!

Ao aquecer líquidos, pode ocorrer uma ebulição retardada. Ou seja, o líquido pode alcançar o ponto de ebulição sem que surjam as típicas bolhas de vapor. Aconselha-se cuidado ao agitar o recipiente, ainda que ligeiramente. O líquido quente pode subitamente deitar por fora e salpicar.

- ▶ Ao aquecer, coloque sempre uma colher dentro do recipiente. Assim, evita a ebulição retardada.



ATENÇÃO!

Em caso de contacto entre o metal e a parede do interior do aparelho, surgem faíscas que podem danificar o aparelho ou destruir o vidro interior da porta.

- ▶ O metal, p. ex., a colher dentro do copo, tem de ficar afastado, pelo menos, 2 cm das paredes do interior do aparelho e do interior da porta.

Nota:

Indicações de preparação

- Utilize recipientes fechados e próprios para micro-ondas. Para cobrir, também pode utilizar um prato ou uma folha especial para micro-ondas. Retire a refeição pronta da embalagem.
- Coloque o recipiente na base do aparelho.
- Entretanto, mexa ou vire os alimentos 2-3 vezes.
- Deixe repousar os alimentos durante 2-5 minutos após o aquecimento.
- Os alimentos libertam calor para o recipiente. O recipiente pode ficar muito quente. Utilize pegas de cozinha.

Alimentos	Peso	Potência do micro-ondas	Tempo de duração
Menu, refeição confeccionada, refeição pronta (2-3 componentes)		600 W	5-8 min
Bebidas ¹	125 ml	900 W	0,5-1 min ^{2, 3}
Bebidas ¹	200 ml	900 W	1-2 min ^{2, 3}
Bebidas ¹	500 ml	900 W	3-4 min ^{2, 3}
Comida para bebés, p. ex., biberões de leite ⁴	50 ml	360 W	aprox. 0,5 min ^{5, 6}

¹ Colocar uma colher no copo.

² Não aquecer demasiado as bebidas alcoólicas.

³ Verificar, de vez em quando, o alimento.

⁴ Aquecer comida para bebés sem tetina ou tampa.

⁵ Agitar sempre bem o alimento depois de aquecer.

⁶ Verificar sempre a temperatura.

⁷ Separar as fatias de carne umas das outras.

Alimentos	Peso	Potência do micro-ondas	Tempo de duração
Comida para bebés, p. ex., biberões de leite ⁴	100 ml	360 W	0,5-1 min ^{4, 6}
Comida para bebés, p. ex., biberões de leite ⁴	200 ml	360 W	1-2 min ^{4, 6}
Sopa, 1 tigela	175 g cada	600 W	1-2 min
Sopa, 2 tigelas	175 g cada	600 W	2-3 min
Carne com molho ⁷	500 g	600 W	7-10 min
Guisado	400 g	600 W	5-7 min
Guisado	800 g	600 W	7-8 min
Legumes, 1 dose	150 g	600 W	2-3 min
Legumes, 2 doses	300 g	600 W	3-5 min

¹ Colocar uma colher no copo.

² Não aquecer demasiado as bebidas alcoólicas.

³ Verificar, de vez em quando, o alimento.

⁴ Aquecer comida para bebés sem tetina ou tampa.

⁵ Agitar sempre bem o alimento depois de aquecer.

⁶ Verificar sempre a temperatura.

⁷ Separar as fatias de carne umas das outras.

Aquecer alimentos ultracongelados com micro-ondas

Observe as recomendações de regulação para aquecer com micro-ondas.

Nota:

Indicações de preparação

- Utilize recipientes fechados e próprios para micro-ondas. Para cobrir, também pode utilizar um prato ou uma folha especial para micro-ondas. Retire a refeição pronta da embalagem.
- Distribua os alimentos no recipiente de forma plana. Os alimentos planos levam menos tempo a cozinhar do que os mais altos.
- Coloque o recipiente na base do aparelho.
- Os alimentos libertam calor para o recipiente. O recipiente pode ficar muito quente. Utilize pegas de cozinha.
- Entretanto, mexa ou vire os alimentos 2-3 vezes.
- Deixe repousar os alimentos durante 2-5 minutos após o aquecimento.
- Os alimentos libertam calor para o recipiente. O recipiente pode ficar muito quente. Utilize pegas de cozinha.
- O sabor próprio dos alimentos permanece inalterado. Reduza no sal e temperos.

Alimentos	Peso	Potência do micro-ondas	Tempo de duração
Menu, refeição confeccionada, refeição pronta (2-3 componentes)	300-400 g	600 W	8-13 min
Sopa	400 g	600 W	8-12 min
Guisados	500 g	600 W	10-15 min
Fatias ou pedaços de carne com molho, p. ex., carne de vaca estufada	500 g	600 W	10-15 min
Peixe, p. ex., filetes	400 g	600 W	10-15 min
Pratos no forno, p. ex., lasanha, cannelloni	450 g	600 W	10-15 min
Acompanhamentos, p. ex., arroz, massa ¹	250 g	600 W	3-7 min
Acompanhamentos, p. ex., arroz, massa ¹	500 g	600 W	8-12 min
Legumes, p. ex., ervilhas, brócolos, cenouras ¹	300 g	600 W	7-11 min

¹ Adicionar um pouco de líquido ao alimento.

² Cozinhar o alimento sem adição de água.

Alimentos	Peso	Potência do micro-ondas	Tempo de duração
Legumes, p. ex., ervilhas, brócolos, cenouras ¹	600 g	600 W	14-17 min
Espinafres com natas ²	450 g	600 W	10-15 min

¹ Adicionar um pouco de líquido ao alimento.

² Cozinhar o alimento sem adição de água.

15.4 Cozinhar

O seu aparelho permite-lhe cozinhar refeições.

Cozinhar com micro-ondas

Nota:

Indicações de preparação

- Coloque o recipiente na base do aparelho.
- Distribua os alimentos no recipiente de forma plana. Os alimentos planos levam menos tempo a cozinhar do que os mais altos.
- Utilize recipientes fechados próprios para micro-ondas. Para tapar também pode usar um prato ou uma cobertura para micro-ondas. Retire as refeições prontas da embalagem.
- O sabor próprio dos alimentos permanece inalterado. Reduza no sal e temperos.
- Deixe repousar os alimentos durante 2 a 5 minutos após o aquecimento.
- Os alimentos libertam calor para o recipiente. O recipiente pode ficar muito quente. Utilize pegas de cozinha.
- Se a embalagem indicar uma potência superior a 600 W para a cozedura de alimentos, utilize mesmo assim no máximo 600 W. Se necessário, prolongue o tempo indicado até obter o resultado pretendido.

Alimentos	Peso	Potência do micro-ondas	Tempo de duração
Frango inteiro, fresco, sem miúdos ¹	1200 g	600 W	25 – 30 min
Filete de peixe, fresco	400 g	600 W	7 – 12 min
Legumes, frescos ^{2, 3, 4}	250 g	600 W	6 – 10 min
Legumes, frescos ^{2, 3, 4}	500 g	600 W	10 – 15 min
Batatas ^{2, 3, 4}	250 g	600 W	8 – 10 min
Batatas ^{2, 3, 4}	500 g	600 W	10 – 15 min
Batatas ^{2, 3, 4}	750 g	600 W	15 – 22 min
Arroz ⁵	125 g	1. 600 W 2. 180 W	1. 4 – 6 min 2. 12 – 15 min
Arroz ⁵	250 g	1. 600 W 2. 180 W	1. 6 – 8 min 2. 15 – 18 min
Doces, p. ex., pudim (instantâneo) ⁴	500 ml	600 W	5 – 8 min
Fruta, compota ⁴	500 ml	600 W	9 – 12 min
Pipocas de micro-ondas ⁶	1 saco de 100 g	600 W	2,5 – 3,5 min

¹ Vire os alimentos após 1/2 do tempo total.

² Corte os legumes em pedaços do mesmo tamanho.

³ Adicionar um pouco de água ao alimento.

⁴ Mexer cuidadosamente, de vez em quando, o alimento.

⁵ Adicione o dobro da quantidade de líquido.

⁶ Coloque o saco das pipocas sempre sobre um prato de vidro. Respeite as instruções do fabricante.

Pudim instantâneo

AVISO – Risco de queimaduras!

Os alimentos aquecidos emitem calor. Os recipientes podem ficar quentes.

- ▶ Use sempre uma pega de cozinha para retirar os recipientes ou acessórios do interior do aparelho.

1. Numa taça alta própria para micro-ondas, misture um pacote de pó para pudim com açúcar e um pouco de leite, de acordo com o indicado na embalagem, de modo a não deixar grumos.
2. Adicione o resto do leite e mexa mais uma vez.
3. Coloque a taça no interior do aparelho e feche a porta do aparelho.

4. Regule o aparelho em conformidade com as recomendações de regulação.
5. Mexa pela primeira vez após 3 minutos. Depois volte a mexer sempre a cada minuto até obter a consistência desejada.

O tempo de duração depende da temperatura do leite e do recipiente usado.

15.5 Refeições de teste

Estas visões gerais foram elaboradas para institutos de ensaio, a fim de facilitar a verificação do aparelho de acordo com a norma EN 60350-1:2013 ou IEC 60350-1:2011 e a norma EN 60705:2012, IEC 60705:2010.

Cozinhar com micro-ondas

Alimento	Potência do micro-ondas em W	Tempo de duração em min	Nota
Gemada com leite, 1000 g	1. 600 W 2. 180 W	1. 11-12 min 2. 8-10 min	Forma de pirex
Bolo simples, 475 g	600 W	7-9 min	Forma de pirex com Ø 22 cm
Rolo de carne picada, 900 g	600 W	25-30 min	Forma de pirex com Ø 28 cm comprida

Descongelar com micro-ondas

Recomendações de regulação para descongelar com micro-ondas.

Alimento	Potência do micro-ondas em W	Tempo de duração em min	Nota
Carne, 500 g	1. 180 W 2. 90 W ou programa "Descongelar carne"	1. 8 min 2. 7-10 min	Forma de pirex com Ø 24 cm

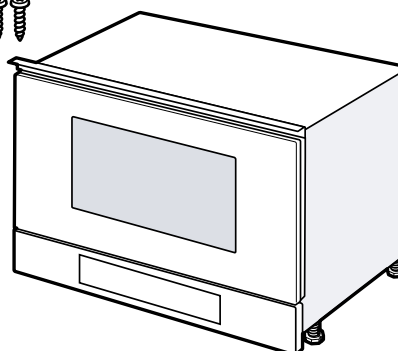
16 Instruções de montagem

Respeite estas informações durante a instalação do aparelho.



16.1 Âmbito de fornecimento

Depois de desembalar o aparelho, há que verificar todas as peças quanto a danos de transporte e se o material fornecido está completo.



16.2 Montagem segura

Respeite estas indicações de segurança quando montar o aparelho.

- Só com uma montagem especializada e em conformidade com as instruções de montagem, pode ser garantida a segurança durante a utilização. O instalador é responsável pelo funcionamento correto no local de montagem.
- Examine o aparelho depois de o desembalar. Se forem detetados danos de transporte, não ligue o aparelho.
- Remova a embalagem e as películas auto-colantes do interior do aparelho e da porta antes da colocação em funcionamento.
- Observe as fichas de montagem para a instalação de acessórios.
- Os móveis de encastrar têm de ser resistentes a temperaturas até 90 °C e as frentes dos móveis adjacentes até 65 °C.
- Não monte o aparelho atrás de uma porta decorativa ou porta de móvel. Há risco de aquecimento excessivo.
- Realize os trabalhos de recorte no móvel antes da colocação do aparelho. Remova as aparas. A função dos componentes eléctricos pode ser prejudicada.
- Os aparelhos apenas podem ser ligados por técnicos concessionados. A garantia cessa em caso de danos provocados por uma ligação incorreta.

AVISO – Risco de ferimentos!

As peças que ficam acessíveis durante a montagem podem ter arestas afiadas e originar ferimentos de corte.

- ▶ Use luvas de proteção

AVISO – Risco de incêndio!

A utilização de extensões do cabo eléctrico e de adaptadores não homologados é perigosa.

- ▶ Não utilize cabos de extensão ou tomadas múltiplas.
- ▶ Se o cabo eléctrico for muito curto, contacte a Assistência Técnica.

16.3 Móveis embutidos

Este aparelho destina-se apenas à montagem embutida. Este aparelho não foi concebido como aparelho de mesa ou para utilização no interior de um armário. O armário de embutir não deve possuir uma parede traseira por trás do aparelho. A altura mínima de montagem é de 850 mm.

As ranhuras de ventilação e aberturas de entrada de ar não podem ser tapadas.

16.4 Ligação eléctrica

Para poder efetuar a ligação eléctrica do aparelho em segurança, respeite estas indicações.

AVISO – Perigo: magnetismo!

O aparelho contém ímanes permanentes. Estes podem afetar implantes eletrónicos, p. ex., pacemakers ou bombas de insulina.

- ▶ Os portadores de implantes eletrónicos devem manter uma distância mínima de 10 cm em relação ao aparelho.

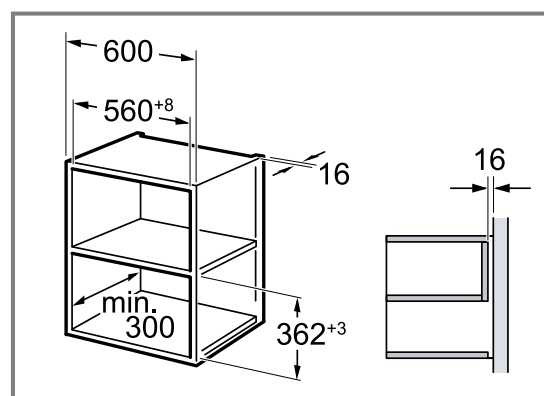
AVISO – Risco de incêndio!

A utilização de fichas múltiplas, réguas de tomadas ou extensões pode provocar um incêndio.

- ▶ Nunca utilizar fichas múltiplas, réguas de tomadas nem extensões.
- O aparelho está pronto a ser ligado à rede eléctrica, podendo apenas ser ligado a uma tomada com ligação à terra, instalada em conformidade com as normas.
- A proteção tem de ser garantida de acordo com a indicação de potência presente na placa de características e com as normas locais.
- Uma tomada apenas pode ser colocada por um electricista qualificado, em conformidade com as normas aplicáveis.
- Se, após a montagem, a ficha deixar de estar acessível, tem de existir do lado da instalação um dispositivo de corte onipolar com uma separação mínima de 3 mm entre contactos.

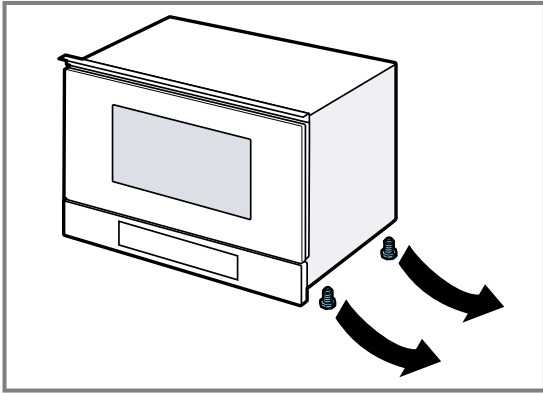
16.5 Instalação num armário superior

Respeite as medidas de montagem e as distâncias de segurança no armário vertical.



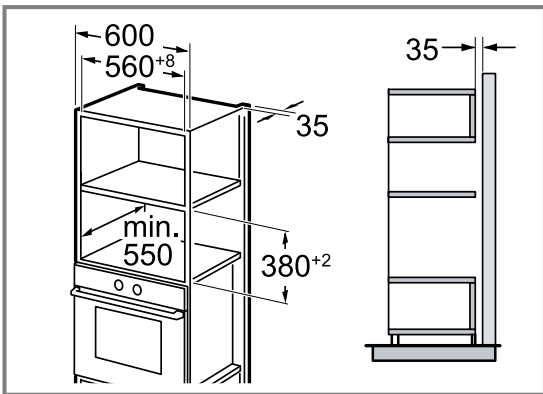
Montar o aparelho a uma altura máxima que permita retirar os acessórios sem problemas.

Remover os pés de apoio.

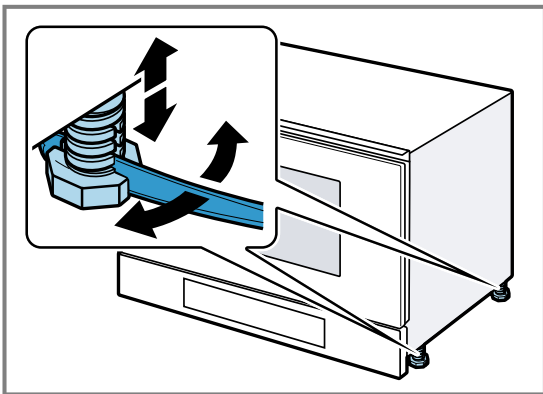


16.6 Montagem num armário vertical

Respeite as medidas de montagem e as distâncias de segurança no armário vertical.

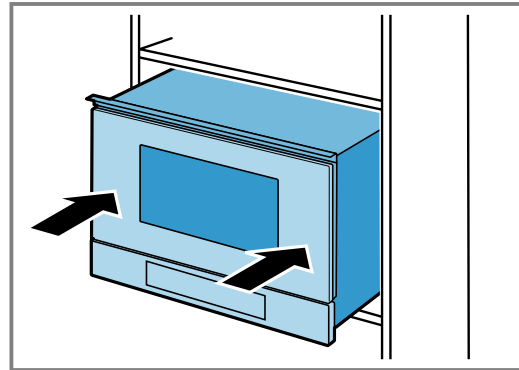


Montar o aparelho a uma altura máxima que permita retirar os acessórios sem problemas. Regular os pés de apoio.



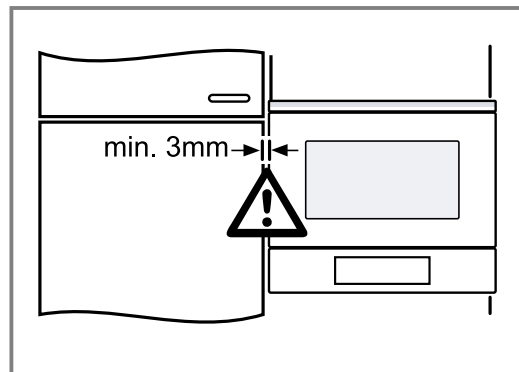
16.7 Montar o aparelho

1. Inserir o aparelho por completo.



Não dobrar, entalar nem passar o cabo de ligação sobre arestas vivas.

2. Verificar a distância em relação aos aparelhos adjacentes.

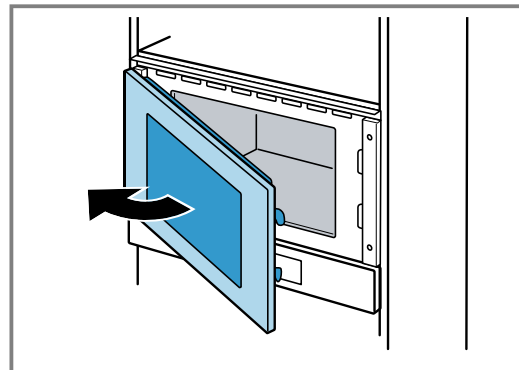


3. **ATENÇÃO!**

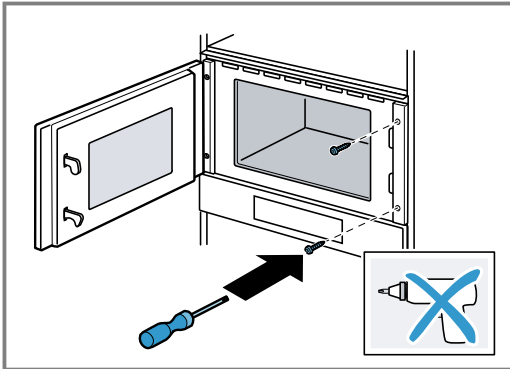
Ao abrir a porta do aparelho, este pode tombar para a frente.

► Manter o aparelho na posição ao abrir a porta do aparelho.

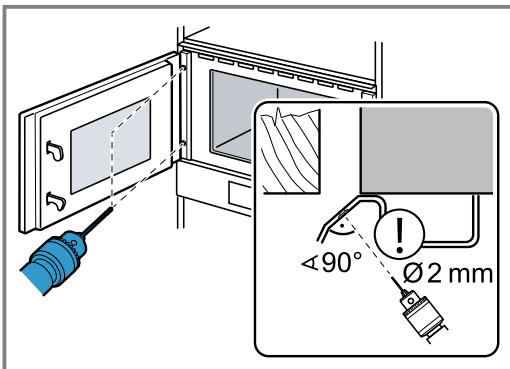
Abrir a porta do aparelho lentamente.



4. Aparafusar o aparelho ao móvel do lado oposto das dobradiças.



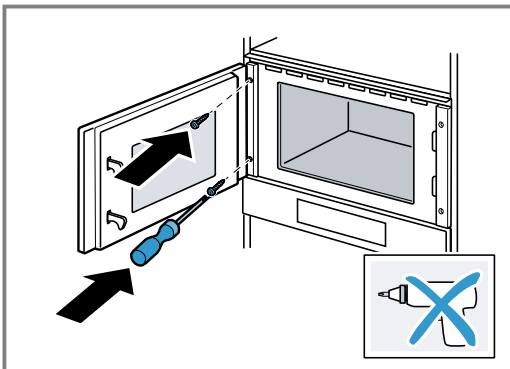
5. Abrir previamente os furos para o aparafusamento do lado das dobradiças no móvel.



Cobrir as dobradiças da porta.

Utilizar uma broca para madeira com um diâmetro de 2 mm.

6. Remover as aparas do interior do aparelho.
7. Aparafusar o aparelho ao móvel do lado das dobradiças.



8. Remover a embalagem e as películas autocolantes do interior do aparelho e da porta.

16.8 Desmontar o aparelho

1. Desligue o aparelho da corrente.
2. Desaperte os parafusos de fixação.
3. Levante ligeiramente o aparelho e retire-o completamente para fora.

Πίνακας περιεχομένων

ΕΓΧΕΙΡΙΔΙΟ ΧΡΗΣΤΗ

1	Ασφάλεια.....	77
2	Αποφυγή υλικών ζημιών	81
3	Προστασία περιβάλλοντος και οικονομία	82
4	Γνωριμία.....	82
5	Πριν την πρώτη χρήση	84
6	Βασικός χειρισμός.....	84
7	Μικροκύματα	85
8	Προγράμματα	87
9	Ρολόι συναγερμού.....	88
10	Βασικές ρυθμίσεις.....	89
11	Καθαρισμός και φροντίδα.....	90
12	Αποκατάσταση βλαβών.....	91
13	Απόσυρση.....	93
14	Υπηρεσία εξυπηρέτησης πελατών	93
15	Έτσι πετυχαίνει.....	93
16	ΟΔΗΓΙΕΣ ΣΥΝΑΡΜΟΛΟΓΗΣΗΣ	99
16.2	Ασφαλής συναρμολόγηση.....	99



1 Ασφάλεια

Προσέξτε τις ακόλουθες υποδείξεις ασφαλείας.

1.1 Γενικές υποδείξεις

- Διαβάστε προσεκτικά αυτές τις οδηγίες.
- Φυλάξτε τις οδηγίες καθώς και τις πληροφορίες προϊόντος για μετέπειτα χρήση ή για τον επόμενο κάτοχο της συσκευής.
- Μη συνδέετε τη συσκευή σε περίπτωση ζημιάς κατά τη μεταφορά.

1.2 Χρήση σύμφωνα με τον σκοπό προορισμού

Μόνο αδειούχο προσωπικό επιτρέπεται να συνδέσει συσκευές χωρίς φίς. Σε περίπτωση ζημιών λόγω λάθους σύνδεσης, δεν υφίσταται κανένα δικαίωμα εγγύησης.

Μόνο με τη σωστή τοποθέτηση σύμφωνα με τις οδηγίες τοποθέτησης διασφαλίζεται η ασφάλεια κατά τη χρήση. Ο εγκαταστάτης είναι υπεύθυνος για την άψογη λειτουργία στη θέση τοποθέτησης.

Χρησιμοποιείτε τη συσκευή μόνο:

- για την παρασκευή φαγητών και ροφημάτων.
- κάτω από επιτήρηση. Επιβλέπετε τις σύντομες διαδικασίες βρασμού χωρίς διακοπή.
- Στο σπίτι και σε παρόμοιες εφαρμογές όπως π.χ.: Σε κουζίνες για υπαλλήλους σε καταστήματα, γραφεία και άλλους εμπορικούς τομείς, στα αγροτικά κτήματα, από πελάτες σε ξενοδοχεία και άλλες οικιστικές εγκαταστάσεις, στα bed and breakfast.
- μέχρι ένα ύψος από 4000 m πάνω από την επιφάνεια της θάλασσας.

Αυτή η συσκευή ανταποκρίνεται στο πρότυπο EN 55011 ή CISPR 11. Είναι ένα προϊόν της ομάδας 2, κατηγορία B. Ομάδα 2 σημαίνει, ότι δημιουργούνται μικροκύματα με σκοπό τη θέρμανση των τροφίμων. Κατηγορία B δηλώνει, ότι η συσκευή είναι κατάλληλη για οικιακή χρήση.

1.3 Περιορισμός ομάδας χρηστών

Αυτή η συσκευή μπορεί να χρησιμοποιείται από παιδιά από 8 ετών και άνω και από πρόσωπα με μειωμένες φυσικές, αισθητήριες ή νοητικές ικανότητες καθώς και έλλειψη εμπειρίας και/ή γνώσης, αν επιβλέπονται ή έχουν κατατοπιστεί σχετικά με την ασφαλή χρήση της συσκευής και έχουν κατανοήσει τους κινδύνους που απορρέουν από αυτή.

Τα παιδιά δεν επιτρέπεται να παίζουν με τη συσκευή.

Ο καθαρισμός και η συντήρηση από το χρήστη δεν επιτρέπεται να πραγματοποιηθούν από παιδιά, εκτός εάν είναι 15 ετών και άνω και επιτηρούνται.

Κρατάτε τα παιδιά που είναι κάτω των 8 ετών μακριά από τη συσκευή και το καλώδιο σύνδεσης.

1.4 Ασφαλής χρήση

Τοποθετείτε τα εξαρτήματα πάντοτε σωστά μέσα στον χώρο μαγειρέματος.

⚠ ΠΡΟΕΙΔΟΠΟΙΗΣΗ – Κίνδυνος πυρκαγιάς!

Τα αποθηκευμένα στον χώρο μαγειρέματος εύφλεκτα αντικείμενα μπορούν να αναφλεγούν.

- ▶ Μη φυλάγετε ποτέ εύφλεκτα αντικείμενα στον χώρο μαγειρέματος.
 - ▶ Όταν αρχίζει να εμφανίζεται καπνός, πρέπει να απενεργοποιηθεί η συσκευή ή να τραβηχθεί το φιν από την πρίζα του ρεύματος και να κρατηθεί η πόρτα κλειστή, για να σβήσετε τις ενδεχομένως εμφανιζόμενες φλόγες.
- Τα υπολείμματα φαγητών, το λίπος και ο χυμός από το ψητό μπορούν να αναφλεγούν.
- ▶ Πριν από τη λειτουργία απομακρύνετε τη χοντρή ρύπανση από τον χώρο μαγειρέματος, τα θερμαντικά στοιχεία και από τα εξαρτήματα.

⚠ ΠΡΟΕΙΔΟΠΟΙΗΣΗ – Κίνδυνος εγκαύματος!

Τα εξαρτήματα ή τα μαγειρικά σκεύη ζεσταίνονται πάρα πολύ.

- ▶ Απομακρύνετε τα καυτά μαγειρικά σκεύη ή εξαρτήματα από το χώρο μαγειρέματος πάντοτε με μια πιάστρα κουζίνας.
- Οι ατμοί του οινοπνεύματος μπορούν να αναφλεγούν μέσα στον ζεστό χώρο μαγειρέματος.
- ▶ Χρησιμοποιείτε μόνο μικρές ποσότητες από δυνατά οινοπνευματώδη ποτά στα φαγητά.
 - ▶ Ανοίγετε προσεκτικά την πόρτα της συσκευής.

⚠ ΠΡΟΕΙΔΟΠΟΙΗΣΗ – Κίνδυνος ζεματίσματος!

Τα προσιτά μέρη/εξαρτήματα ζεσταίνονται πολύ κατά τη λειτουργία.

- ▶ Μην ακουμπάτε ποτέ τα καυτά μέρη/εξαρτήματα.
- ▶ Κρατάτε τα παιδιά μακριά.

Κατά το άνοιγμα της πόρτας της συσκευής μπορεί να εξέλθει καυτός ατμός. Ο ατμός, ανάλογα με τη θερμοκρασία, δε φαίνεται.

- ▶ Ανοίγετε προσεκτικά την πόρτα της συσκευής.
- ▶ Κρατάτε τα παιδιά μακριά.

Με το νερό στον καυτό χώρο μαγειρέματος μπορεί να δημιουργηθεί καυτός υδρατμός.

- ▶ Μη χύνετε ποτέ νερό μέσα στον καυτό χώρο μαγειρέματος.

⚠ ΠΡΟΕΙΔΟΠΟΙΗΣΗ – Κίνδυνος τραυματισμού!

Το γρατσουνισμένο γυαλί της πόρτας της συσκευής μπορεί να ραγίσει.

- ▶ Μη χρησιμοποιείτε ισχυρά καθαριστικά τριψίματος ή κοφτερές μεταλλικές ξύστρες για τον καθαρισμό του τζαμιού της πόρτας της συσκευής, επειδή μπορεί να γρατσουνίσουν την επιφάνεια.

Οι μεντεσέδες της πόρτας της συσκευής κινούνται κατά το άνοιγμα και το κλείσιμο της πόρτας και μπορεί να μαγκωθείτε.

- ▶ Μην απλώνετε τα χέρια σας στην περιοχή των μεντεσέδων.

Τα εξαρτήματα μέσα στην πόρτα της συσκευής μπορεί να είναι κοφτερά.

- ▶ Φοράτε προστατευτικά γάντια.

⚠ ΠΡΟΕΙΔΟΠΟΙΗΣΗ – Κίνδυνος ηλεκτροπληξίας!

Οι ακατάλληλες επισκευές είναι επικίνδυνες.

- ▶ Μόνο εκπαιδευμένο γι' αυτό, ειδικευμένο προσωπικό επιτρέπεται να πραγματοποιήσει επισκευές στη συσκευή.
- ▶ Μόνο γνήσια ανταλλακτικά επιτρέπεται να χρησιμοποιηθούν για την επισκευή της συσκευής.
- ▶ Εάν το καλώδιο σύνδεσης στο δίκτυο του ρεύματος αυτής της συσκευής υποστεί ζημιά, πρέπει να αντικατασταθεί από τον κατασκευαστή ή την υπηρεσία εξυπηρέτησης πελατών του ή από ένα αντίστοιχα ειδικευμένο άτομο, για την αποφυγή επικινδύνων καταστάσεων.

Μια χαλασμένη μόνωση του καλωδίου σύνδεσης είναι επικίνδυνη.

- ▶ Μη φέρνετε ποτέ το καλώδιο σύνδεσης σε επαφή με καυτά μέρη συσκευών ή πηγές θερμότητας.
- ▶ Μην αφήνετε ποτέ το καλώδιο σύνδεσης στο δίκτυο να έρθει σε επαφή με αιχμηρές μύτες ή κοφτερές ακμές.
- ▶ Μην τσακίζετε, μη συνθλίβετε ή μη μετατρέπετε ποτέ το καλώδιο σύνδεσης στο δίκτυο.

Μια εισχώρηση υγρασίας μπορεί να προκαλέσει ηλεκτροπληξία.

- ▶ Μη χρησιμοποιείτε συσκευές εκτόξευσης ατμού ή συσκευές καθαρισμού υψηλής πίεσης, για να καθαρίσετε τη συσκευή.

Μια συσκευή ή ένα καλώδιο σύνδεσης που έχουν υποστεί ζημιά είναι επικίνδυνα.

- ▶ Μη λειτουργείτε ποτέ μια συσκευή που έχει υποστεί ζημιά.
- ▶ Μη λειτουργείτε ποτέ μια συσκευή με ραγισμένη ή σπασμένη επιφάνεια.
- ▶ Μην τραβάτε ποτέ το καλώδιο σύνδεσης, για να αποσυνδέσετε τη συσκευή από το δίκτυο του ρεύματος. Τραβάτε πάντοτε το φως του καλωδίου σύνδεσης.
- ▶ Όταν η συσκευή ή το καλώδιο σύνδεσης έχει ζημιά, τραβήξτε αμέσως το φως του καλωδίου σύνδεσης ή κατεβάστε την ασφάλεια στο κιβώτιο των ασφαλειών.
- ▶ Καλέστε την υπηρεσία εξυπηρέτησης πελατών. → Σελίδα 93

⚠ ΠΡΟΕΙΔΟΠΟΙΗΣΗ – Κίνδυνος: Μαγνητισμός!

Στο πεδίο χειρισμού ή στα στοιχεία χειρισμού είναι τοποθετημένοι μόνιμοι μαγνήτες. Αυτοί μπορούν να επηρεάσουν αρνητικά τα ηλεκτρονικά στοιχεία εμφύτευσης, π.χ. βηματοδότες καρδιάς ή αντλίες ινσουλίνης.

- ▶ Ως φορέας ηλεκτρονικών στοιχείων εμφύτευσης, τηρήστε μια ελάχιστη απόσταση 10 cm από το πεδίο χειρισμού.

⚠ ΠΡΟΕΙΔΟΠΟΙΗΣΗ – Κίνδυνος ασφυξίας!

Τα παιδιά μπορεί να περάσουν τα υλικά της συσκευασίας πάνω από το κεφάλι ή να τυλιχτούν σ' αυτά και να πάθουν ασφυξία.

- ▶ Κρατάτε τα υλικά συσκευασίας μακριά από τα παιδιά.
- ▶ Μην αφήνετε τα παιδιά να παίζουν με τα υλικά συσκευασίας.

Τα παιδιά μπορεί να εισπνεύσουν ή να καταπιούν μικρά κομμάτια και έτσι να πάθουν ασφυξία.

- ▶ Κρατάτε τα μικρά κομμάτια μακριά από τα παιδιά.
- ▶ Μην αφήνετε τα παιδιά να παίζουν με μικρά κομμάτια.

1.5 Φούρνος μικροκυμάτων

ΔΙΑΒΑΣΤΕ ΠΡΟΣΕΚΤΙΚΑ ΤΙΣ ΣΗΜΑΝΤΙΚΕΣ ΥΠΟΔΕΙΞΕΙΣ ΑΣΦΑΛΕΙΑΣ ΚΑΙ ΦΥΛΑΞΤΕ ΤΙΣ ΓΙΑ ΠΕΡΑΙΤΕΡΩ ΧΡΗΣΗ

⚠ ΠΡΟΕΙΔΟΠΟΙΗΣΗ – Κίνδυνος πυρκαγιάς!

Η μη ενδεδειγμένη χρήση της συσκευής είναι επικίνδυνη και μπορεί να προκαλέσει ζημιές. Για παράδειγμα μπορούν να αναφλεγούν οι ζεστές παντόφλες, τα ζεστά σακουλάκια με σπόρους και δημητριακά ακόμα και μετά από ώρες.

- ▶ Μη στεγνώνετε ποτέ φαγητά ή ρούχα με τη συσκευή.
 - ▶ Μη ζεσταίνετε ποτέ παντόφλες, μαξιλάρια σπόρων ή δημητριακών, σφουγγάρια, υγρά πανιά καθαρισμού και παρόμοια με τη συσκευή.
 - ▶ Χρησιμοποιείτε τη συσκευή μόνο για την παρασκευή φαγητών και ποτών.
- Τα τρόφιμα καθώς και οι συσκευασίες και τα σκεύη τους μπορεί να αναφλεγούν.
- ▶ Μη ζεσταίνετε ποτέ τρόφιμα σε συσκευασίες διατήρησης θερμοκρασίας.
 - ▶ Μη ζεσταίνετε ποτέ χωρίς επιτήρηση τρόφιμα σε σκεύη από πλαστικό, χαρτί ή άλλα εύφλεκτα υλικά.
 - ▶ Μη ρυθμίζετε ποτέ μια πολύ μεγάλη βαθμίδα ισχύος ή πολύ μεγάλο χρόνο μικροκυμάτων. Προσανατολιστείτε στα στοιχεία σε αυτές τις οδηγίες χρήσης.
 - ▶ Μη στεγνώνετε ποτέ τρόφιμα στον φούρνο μικροκυμάτων.
 - ▶ Μην ξεπαγώνετε ή ζεστάνετε ποτέ τρόφιμα με μικρή περιεκτικότητα νερού, όπως π.χ. ψωμί, με πολύ υψηλή ισχύ ή χρόνο μικροκυμάτων.

Το λάδι φαγητού μπορεί να αναφλεγεί.

- ▶ Μη ζεσταίνετε ποτέ μόνο του το λάδι φαγητού στον φούρνο μικροκυμάτων.

⚠ ΠΡΟΕΙΔΟΠΟΙΗΣΗ – Κίνδυνος έκρηξης!

Τα υγρά ή άλλα τρόφιμα σε σφιχτά κλεισμένα σκεύη μπορεί να εκραγούν εύκολα.

- ▶ Μη ζεστάνετε ποτέ υγρά ή άλλα τρόφιμα σε σφιχτά κλεισμένα σκεύη.

⚠ ΠΡΟΕΙΔΟΠΟΙΗΣΗ – Κίνδυνος εγκαύματος!

Τα τρόφιμα με σκληρό κέλυφος ή πέτσα μπορεί να εκραγούν κατά τη διάρκεια, αλλά και μετά από το ζέσταμα.

- ▶ Μη μαγειρεύετε ποτέ αυγά στο κέλυφος ή μη ζεσάνετε ποτέ σφιχτοβρασμένα αυγά στο κέλυφος.
- ▶ Μη μαγειρεύετε ποτέ οστρακοειδή ή μαλακόστρακα.
- ▶ Σε περίπτωση τηγανητών αυγών ή αυγών σε ποτήρι, τρυπάτε προηγουμένως τον κρόκο.
- ▶ Σε περίπτωση τροφίμων με σκληρή φλούδα ή πέτσα, όπως π.χ. μήλα, ντομάτες, πατάτες ή λουκάνικα, μπορεί το κέλυφος να σκάσει. Πριν το ζέσταμα τρυπάτε τη φλούδα ή την πέτσα.

Η θερμότητα στις βρεφικές τροφές δεν κατανέμεται ομοιόμορφα.

- ▶ Μη ζεσταίνετε ποτέ βρεφικές τροφές μέσα σε κλειστά δοχεία.
- ▶ Απομακρύνετε πάντοτε το καπάκι ή το θήλαστρο.
- ▶ Μετά το ζέσταμα κουνάτε ή ανακατεύετε πάντοτε καλά.
- ▶ Ελέγχετε τη θερμοκρασία, προτού να δοθεί η τροφή στο παιδί.

Τα ζεστά φαγητά εκλύουν θερμότητα. Έτσι μπορούν τα μαγειρικά σκεύη να ζεσταθούν πολύ.

- ▶ Απομακρύνετε τα μαγειρικά σκεύη ή τα εξαρτήματα από το χώρο μαγειρέματος πάντοτε με μια πιάστρα κουζίνας.

Σε περίπτωση αεροστεγώς κλεισμένων τροφίμων, μπορεί να σκάσει η συσκευασία.

- ▶ Προσέχετε πάντοτε τα στοιχεία πάνω στη συσκευασία.
- ▶ Βγάζετε τα φαγητά πάντοτε με πιάστρες κουζίνας από τον χώρο μαγειρέματος.

Τα προσιτά μέρη/εξαρτήματα ζεσταίνονται πολύ κατά τη λειτουργία.

- ▶ Μην ακουμπάτε ποτέ τα καυτά μέρη/εξαρτήματα.
- ▶ Κρατάτε τα παιδιά μακριά.

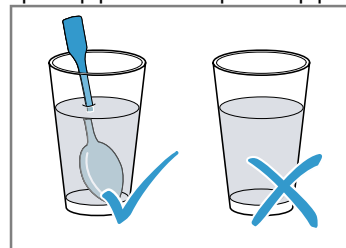
Η μη ενδεδειγμένη χρήση της συσκευής είναι επικίνδυνη. Για παράδειγμα οι υπερθερμασμένες παντόφλες, τα υπερθερμασμένα μαξιλάρια σπόρων ή δημητριακών, σφουγγάρια, υγρά πανιά καθαρισμού και άλλα παρόμοια μπορούν να οδηγήσουν σε εγκαύματα.

- ▶ Μη στεγνώνετε ποτέ φαγητά ή ρούχα με τη συσκευή.
- ▶ Μη ζεσταίνετε ποτέ παντόφλες, μαξιλάρια σπόρων ή δημητριακών, σφουγγάρια, υγρά πανιά καθαρισμού και παρόμοια με τη συσκευή.
- ▶ Χρησιμοποιείτε τη συσκευή μόνο για την παρασκευή φαγητών και ποτών.

⚠ ΠΡΟΕΙΔΟΠΟΙΗΣΗ – Κίνδυνος ζεματίσματος!

Κατά το ζέσταμα υγρών μπορεί να προκληθεί επιβράδυνση του βρασμού. Αυτό σημαίνει, ότι η θερμοκρασία βρασμού επιτυγχάνεται, χωρίς να εμφανιστούν οι τυπικές φυσαλίδες ατμού. Συνιστάται προσοχή ακόμη και σε περίπτωση ελάχιστης μόνο ανακίνησης του σκεύους. Το καυτό υγρό μπορεί ξαφνικά να βράσει και να πιτσιλίσει.

- ▶ Κατά το ζέσταμα τοποθετείτε πάντοτε ένα κουτάλι μέσα στο σκεύος. Έτσι εμποδίζεται η επιβράδυνση του βρασμού.



⚠ ΠΡΟΕΙΔΟΠΟΙΗΣΗ – Κίνδυνος τραυματισμού!

Το ακατάλληλο μαγειρικό σκεύος μπορεί να ραγίσει. Τα μαγειρικά σκεύη από πορσελάνη και κεραμικό υλικό μπορεί να έχουν πολύ μικρές τρύπες στις λαβές και στα καπάκια. Πίσω από αυτές τις τρύπες υπάρχει ένας κενός χώρος. Η υγρασία που έχει εισχωρήσει στον κενό χώρο μπορεί να σπάσει τα μαγειρικά σκεύη.

- ▶ Χρησιμοποιείτε μόνο μαγειρικά σκεύη, κατάλληλα για μικροκύματα.

Σκεύη και δοχεία από μέταλλο ή σκεύη με μεταλλική διακόσμηση μπορούν σε περίπτωση καθαρής λειτουργίας μικροκυμάτων να οδηγήσουν στη δημιουργία σπινθήρων. Η συσκευή καταστρέφεται.

- ▶ Σε περίπτωση καθαρής λειτουργίας μικροκυμάτων μη χρησιμοποιείτε ποτέ μεταλλικά δοχεία.
- ▶ Χρησιμοποιείτε μόνο μαγειρικά σκεύη, κατάλληλα για μικροκύματα.

⚠ ΠΡΟΕΙΔΟΠΟΙΗΣΗ – Κίνδυνος ηλεκτροπληξίας!

Η συσκευή λειτουργεί με υψηλή τάση.

- ▶ Μην αφαιρέσετε ποτέ το περιβλήμα.

⚠ ΠΡΟΕΙΔΟΠΟΙΗΣΗ – Κίνδυνος σοβαρής βλάβης για την υγεία!

Ο ανεπαρκής καθαρισμός μπορεί να καταστρέψει την επιφάνεια της συσκευής, να μειώσει τη διάρκεια ζωής και να οδηγήσει σε επικίνδυνες καταστάσεις, όπως για παράδειγμα διαρροή ενέργειας μικροκυμάτων.

- ▶ Καθαρίζετε τακτικά τη συσκευή και απομακρύνετε αμέσως τα υπολείμματα των τροφίμων.
- ▶ Κρατάτε τον χώρο μαγειρέματος, την πόρτα και τον αναστολέα της πόρτας πάντοτε καθαρά.

→ "Καθαρισμός και φροντίδα", Σελίδα 90

Μη λειτουργείτε ποτέ τη συσκευή, όταν η πόρτα του χώρου μαγειρέματος έχει υποστεί ζημιά. Μπορεί να εξέλθει ενέργεια μικροκυμάτων.

- ▶ Μη χρησιμοποιείτε ποτέ τη συσκευή, όταν η πόρτα του χώρου μαγειρέματος ή το πλαστικό πλαίσιο της πόρτας έχουν υποστεί ζημιά.
- ▶ Αναθέτετε την επισκευή μόνο στο τμήμα εξυπηρέτησης πελατών.

Στις συσκευές χωρίς κάλυμμα περιβλήματος εξέρχεται ενέργεια μικροκυμάτων.

- ▶ Μην αφαιρείτε ποτέ το κάλυμμα περιβλήματος.
- ▶ Σε περίπτωση εργασιών συντήρησης ή επισκευής καλέστε την υπηρεσία τεχνικής εξυπηρέτησης πελατών.

2 Αποφυγή υλικών ζημιών

2.1 Γενικά

ΠΡΟΣΟΧΗ!

Οι ατμοί του οινοπνεύματος μπορούν να αναφλεγούν μέσα στον καυτό χώρο μαγειρέματος και να οδηγήσουν σε μια μόνιμη ζημιά στη συσκευή. Λόγω μιας εκρηκτικής ανάφλεξης η πόρτα της συσκευής μπορεί να ανοίξει απότομα και ενδεχομένως να πέσει κάτω. Τα τζάμια της πόρτας μπορεί να σπάσουν και να θρυμματιστούν. Λόγω της προκύπτουσας υποπίεσης ο χώρος μαγειρέματος μπορεί να παραμορφωθεί πολύ προς τα μέσα.

- ▶ Μην θερμαίνετε οινοπνευματώδη ποτά ($\geq 15\%$ vol.) σε μη αραιωμένη κατάσταση (π.χ. για να περιχύσετε τα φαγητά).
- Η υγρασία στον χώρο μαγειρέματος για παρατεταμένο χρονικό διάστημα, οδηγεί σε διάβρωση.
- ▶ Μετά από κάθε μαγείρεμα, σκουπίζετε το συμπύκνωμα.
 - ▶ Μην αποθηκεύετε υγρά τρόφιμα για μεγάλη χρονική διάρκεια στον κλειστό χώρο μαγειρέματος.
 - ▶ Μην αποθηκεύετε κανένα φαγητό στον χώρο μαγειρέματος.

Η χρήση της πόρτας της συσκευής ως κάθισμα ή επιφάνεια εναπόθεσης, μπορεί να προκαλέσει ζημιά στην πόρτα.

- ▶ Μην κάθεστε, μην κρατιέστε ή μη στηρίζετε από την πόρτα της συσκευής.

Ανάλογα με τον τύπο της συσκευής, μπορεί τα εξαρτήματα, κατά το κλείσιμο της πόρτας της συσκευής, να γρατσουνίσουν το τζάμι της πόρτας.

- ▶ Τοποθετείτε τα εξαρτήματα μέχρι τέρμα μέσα στον χώρο μαγειρέματος.

2.2 Φούρνος μικροκυμάτων

Προσέχετε αυτές τις υποδείξεις, όταν χρησιμοποιείτε τον φούρνο μικροκυμάτων.

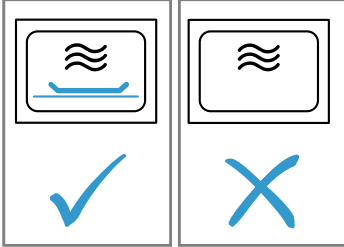
ΠΡΟΣΟΧΗ!

Εάν ακουμπήσει μέταλλο πάνω στα τοιχώματα του χώρου μαγειρέματος δημιουργούνται σπινθήρες, που μπορεί να προκαλέσουν ζημιά στη συσκευή ή να καταστρέψουν το εσωτερικό τζάμι της πόρτας.

- ▶ Ένα μεταλλικό σώμα, π.χ. το κουτάλι στο ποτήρι, πρέπει να απέχει το λιγότερο 2 cm από τα τοιχώματα του χώρου μαγειρέματος και την εσωτερική πλευρά της πόρτας.

Τα αλουμινένια μπολ στη συσκευή μπορεί να δημιουργήσουν σπινθήρες. Στη συσκευή προκαλούνται ζημιές με τη δημιουργία ηλεκτρικών σπινθήρων.

- ▶ Μη χρησιμοποιείτε αλουμινένια μπολ στη συσκευή. Η λειτουργία της συσκευής χωρίς φαγητά στον χώρο μαγειρέματος οδηγεί σε υπερφόρτωση.
- ▶ Μην ξεκινήσετε ποτέ τον φούρνο μικροκυμάτων χωρίς φαγητά στον χώρο μαγειρέματος. Εξαιρέση αποτελεί μια σύντομη δοκιμή μαγειρικού σκεύους.



Η πολλαπλή διαδοχική παρασκευή από πόπ-κορν μικροκυμάτων με μια πολύ μεγάλη ισχύ μικροκυμάτων, μπορεί να οδηγήσει σε ζημιά του χώρου μαγειρέματος.

- ▶ Μεταξύ των παρασκευών αφήνετε τη συσκευή να κρυώσει για μερικά λεπτά.
- ▶ Μη ρυθμίζετε ποτέ μια πολύ μεγάλη ισχύ μικροκυμάτων.
- ▶ Χρησιμοποιείτε το πολύ 600 W.
- ▶ Τοποθετείτε τη σακούλα ποπ-κορν πάντοτε πάνω σε ένα γυάλινο πιάτο.

3 Προστασία περιβάλλοντος και οικονομία

3.1 Απόσυρση συσκευασίας

Τα υλικά συσκευασίας είναι φιλικά προς το περιβάλλον και επαναχρησιμοποιούμενα.

- ▶ Αποσύρετε τα επιμέρους εξαρτήματα ξεχωριστά, ανάλογα με το είδος.

3.2 Εξοικονόμηση ενέργειας

Αν ακολουθήσετε αυτές τις υποδείξεις, η συσκευή σας θα καταναλώνει λιγότερο ρεύμα.

Αποκρύψτε την ώρα στην ετοιμότητα (Standby).

- Η συσκευή στη λειτουργία ετοιμότητας εξοικονομεί ενέργεια.

Σημείωση:

Η συσκευή χρειάζεται:

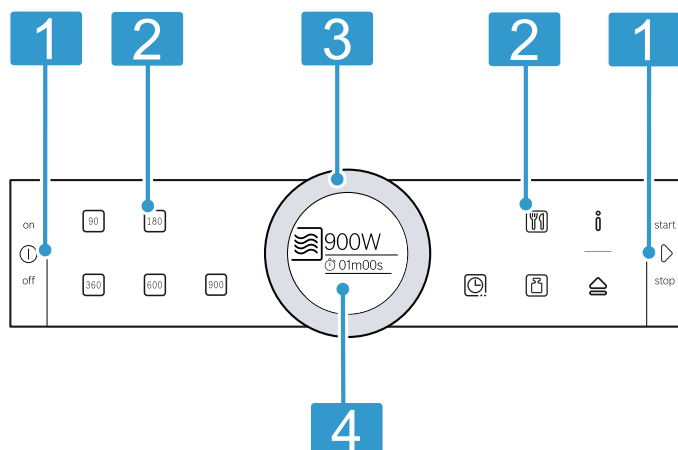
- Στη λειτουργία με ενεργοποιημένη οθόνη ενδείξεων, το μέγιστο 1 W
- Στη λειτουργία με απενεργοποιημένη οθόνη ενδείξεων, το μέγιστο 0,5 W

4 Γνωριμία

4.1 Πεδίο χειρισμού

Μέσω του πεδίου χειρισμού ρυθμίζετε όλες τις λειτουργίες της συσκευής σας και λαμβάνετε πληροφορίες για την κατάσταση λειτουργίας.

Ανάλογα με τον τύπο της συσκευής μπορεί να διαφέρουν οι λεπτομέρειες στην εικόνα, π.χ. χρώμα και σχήμα.



1 Πλήκτρα
Τα πλήκτρα έχουν ένα σημείο πίεσης. Πατήστε το πλήκτρο για επιβεβαίωση.

2 Πεδία αφής
Με τα πεδία αφής ρυθμίζετε απευθείας διάφορες λειτουργίες.

3 Δακτύλιος χειρισμού
Μπορείτε να γυρίσετε τον δακτύλιο χειρισμού απεριορίιστα προς τα αριστερά ή προς τα δεξιά. Πατήστε ελαφρά τον δακτύλιο χειρισμού και γυρίστε τον με το δάκτυλο προς την επιθυμητή κατεύθυνση.

4 Οθόνη ενδείξεων
Η οθόνη ενδείξεων δείχνει τρέχουσες τιμές ρύθμισης, δυνατότητες επιλογής και κείμενα υποδείξεων.



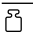
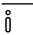

Πλήκτρα

Με τα πλήκτρα επιλέγετε απευθείας διάφορες λειτουργίες.

Σύμβολο	Πλήκτρο	Χρήση
ⓘ	on/off	Ενεργοποίηση ή απενεργοποίηση της συσκευής
▷	start/stop	Εκκίνηση ή διακοπή της λειτουργίας

Πεδία αφής

Τα πεδία αφής είναι ευαίσθητες στην αφή επιφάνειες. Για να επιλέξετε μια λειτουργία, πατήστε ελαφρά πάνω στο αντίστοιχο σύμβολο.

Σύμβολο	Πεδίο αφής	Χρήση
90	Ισχύς μικροκυμάτων	Ρύθμιση 90 W
180	Ισχύς μικροκυμάτων	Ρύθμιση 180 W
360	Ισχύς μικροκυμάτων	Ρύθμιση 360 W
600	Ισχύς μικροκυμάτων	Ρύθμιση 600 W
900	Ισχύς μικροκυμάτων	Ρύθμιση 900 W
	Λειτουργίες χρόνου	Επιλογή λειτουργιών χρόνου
	Προγράμματα	Επιλογή προγράμματος
	Βάρος	Επιλογή του βάρους στα προγράμματα
	Πληροφορίες	Εμφάνιση υποδείξεων ή κλήση βασικών ρυθμίσεων με παρατεταμένο πάτημα (περίπου 3 s)
	Αυτόματο άνοιγμα πόρτας	Άνοιγμα της πόρτας της συσκευής

Σημείωση: Όταν ανάβει ⓘ, πατήστε ⓘ, για να εμφανίσετε για μερικά δευτερόλεπτα πληροφορίες.

Το πεδίο αφής, την τιμή του οποίου μπορείτε να αλλάξετε στην οθόνη ενδείξεων ή που μπορεί να εμφανιστεί στο προσκήνιο, ανάβει κόκκινο.

Δακτύλιος χειρισμού

Με τον δακτύλιο χειρισμού αλλάζετε τις τιμές ρύθμισης, που εμφανίζει η οθόνη ενδείξεων.

Στις περισσότερες λίστες επιλογής, π.χ. στα προγράμματα, μετά το τελευταίο σημείο αρχίζει ξανά το πρώτο. Σε μερικές λίστες επιλογής, π.χ. "Διάρκεια", γυρνάτε ξανά πίσω τον δακτύλιο χειρισμού, όταν επιτευχθεί η ελάχιστη ή η μέγιστη τιμή.

Οθόνη ενδείξεων

Στην οθόνη ενδείξεων βλέπετε τις τρέχουσες τιμές ρύθμισης ή τις δυνατότητες επιλογής.

Οθόνη ενδείξεων	Περιγραφή
Εστίαση	Η τιμή στην εστίαση μπορεί να αλλάξει απευθείας, χωρίς να έχετε προηγουμένως επιλέξει την τιμή. Μετά την έναρξη μιας λειτουργίας βρίσκεται πάντοτε η διάρκεια στην εστίαση.
Μεγέθυνση	Για όσο αλλάζετε με τον δακτύλιο χειρισμού την τιμή στην εστίαση, δείχνει η οθόνη ενδείξεων μόνο αυτή την τιμή μεγεθυμένη.

Δακτυλιοειδής γραμμή

Εξωτερικά στην οθόνη ενδείξεων βρίσκεται η δακτυλιοειδής γραμμή.

Όταν αλλάζετε μια τιμή, η δακτυλιοειδής γραμμή δείχνει, σε ποιο σημείο της λίστας επιλογής βρίσκεται. Ανάλογα με την περιοχή ρυθμίσεων και το μήκος της λίστας επιλογής, η δακτυλιοειδής γραμμή είναι συνεχής ή χωρισμένη σε τομείς.

Κατά τη διάρκεια της λειτουργίας της συσκευής δείχνει η δακτυλιοειδής γραμμή την πρόοδο και γεμίζει κόκκινη με ρυθμό δευτερολέπτου. Μετά από κάθε πλήρες λεπτό γεμίζουν οι τομείς ξανά από την αρχή. Σε μια τρέχουσα διάρκεια σβήνει κάθε δευτερόλεπτο ένας τομέας.

4.2 Χώρος μαγειρέματος

Οι λειτουργίες του χώρου μαγειρέματος διευκολύνουν τη λειτουργία της συσκευής σας.

Φωτισμός του χώρου μαγειρέματος

Όταν ανοίξετε την πόρτα της συσκευής, ενεργοποιείται ο φωτισμός του χώρου μαγειρέματος. Όταν παραμείνει η πόρτα της συσκευής για περισσότερο από περίπου 5 λεπτά ανοιχτή, απενεργοποιείται ξανά ο φωτισμός του χώρου μαγειρέματος.

Στους περισσότερους τρόπους ψησίματος και στις περισσότερες λειτουργίες ο φωτισμός του χώρου μαγειρέματος είναι κατά τη διάρκεια της λειτουργίας ενεργοποιημένος. Όταν τελειώσει η λειτουργία, απενεργοποιείται ο φωτισμός του χώρου μαγειρέματος.

Ανεμιστήρας ψύξης

Ο ανεμιστήρας ψύξης ενεργοποιείται και απενεργοποιείται σε περίπτωση που χρειάζεται. Ο ζεστός αέρας διαφεύγει από τις σχισμές αερισμού πάνω από την πόρτα της συσκευής.

ΠΡΟΣΟΧΗ!

Η κάλυψη των σχισμών αερισμού προκαλεί μια υπερθέρμανση της συσκευής.

► Μην καλύπτετε τις σχισμές αερισμού.

Για να κρυώσει μετά από μια λειτουργία γρηγορότερα ο χώρος μαγειρέματος, λειτουργεί ο ανεμιστήρας ψύξης ακόμα για λίγο χρόνο. Όταν η συσκευή λειτουργεί στη λειτουργία μικροκυμάτων, παραμένει η συσκευή κρύα, ο ανεμιστήρας ψύξης ενεργοποιείται όμως παρόλα αυτά. Ο ανεμιστήρας ψύξης μπορεί να συνεχίζει να λειτουργεί, ακόμα και όταν η λειτουργία μικροκυμάτων έχει ήδη τερματιστεί.

Συμπύκνωμα

Κατά το μαγείρεμα μπορεί στον χώρο μαγειρέματος και στην πόρτα της συσκευής να εμφανιστεί συμπύκνωμα. Η εμφάνιση συμπυκνώματος είναι φυσιολογική και δεν επηρεάζει αρνητικά τη λειτουργία της συσκευής. Μετά το μαγείρεμα, σκουπίστε το συμπύκνωμα.

Πλήκτρο για το αυτόματο άνοιγμα της πόρτας

Όταν πατήσετε το πλήκτρο για το αυτόματο άνοιγμα της πόρτας, ανοίγει η πόρτα της συσκευής. Μπορείτε να ανοίξετε εντελώς την πόρτα της συσκευής με το χέρι.

Υποδείξεις

- Σε περίπτωση μιας διακοπής του ρεύματος δε λειτουργεί το αυτόματο άνοιγμα της πόρτας. Μπορείτε να ανοίξετε την πόρτα της συσκευής με το χέρι.
- Όταν ανοίξετε την πόρτα της συσκευής κατά τη διάρκεια της λειτουργίας, σταματά η λειτουργία.
- Όταν κλείσετε την πόρτα της συσκευής, δε συνεχίζει αυτόματα η λειτουργία. Ξεκινήστε τη λειτουργία.
- Όταν η συσκευή είναι απενεργοποιημένη για μεγαλύτερο χρονικό διάστημα, ανοίγει η πόρτα της συσκευής με καθυστέρηση.

5 Πριν την πρώτη χρήση

Εκτελέστε τις ρυθμίσεις για την πρώτη θέση σε λειτουργία. Καθαρίστε τη συσκευή και τα εξαρτήματα.


5.1 Πρώτη θέση σε λειτουργία

Μετά τη σύνδεση στο ηλεκτρικό ρεύμα ή μετά από μια παρατεταμένη διακοπή ρεύματος, εμφανίζονται οι ρυθμίσεις για την πρώτη θέση σε λειτουργία της συσκευής σας.


Υποδείξεις

- Μπορείτε να προσαρμόσετε τις ρυθμίσεις οποτεδήποτε στις βασικές ρυθμίσεις.
→ "Βασικές ρυθμίσεις", Σελίδα 89
- Ανοίξτε και κλείστε την πόρτα της συσκευής για εσωτερικό έλεγχο πριν τη θέση σε λειτουργία για πρώτη φορά και μετά από κάθε διακοπή ρεύματος.

Ρύθμιση της γλώσσας

1. Ρυθμίστε με τον δακτύλιο χειρισμού τη γλώσσα.
 2. Πατήστε .
- ✓ Η οθόνη ενδείξεων δείχνει την επόμενη ρύθμιση.

Ρύθμιση της ώρας

1. Ρυθμίστε με τον δακτύλιο χειρισμού την ώρα.
 2. Πατήστε .
- ✓ Στην οθόνη ενδείξεων εμφανίζεται μια υπόδειξη, ότι η πρώτη θέση σε λειτουργία έχει ολοκληρωθεί.
- Σημείωση:** Στις → "Βασικές ρυθμίσεις", Σελίδα 89 καθορίζετε, εάν η οθόνη ενδείξεων θα δείχνει ή όχι την ώρα σε περίπτωση απενεργοποιημένης συσκευής.



5.2 Καθαρισμός της συσκευής πριν την πρώτη χρήση

Προτού παρασκευάσετε για πρώτη φορά με τη συσκευή ένα φαγητό, καθαρίστε τον χώρο μαγειρέματος και τα εξαρτήματα.

1. Βεβαιωθείτε, ότι στον χώρο μαγειρέματος δε βρίσκονται υπολείμματα συσκευασίας, εξαρτήματα ή άλλα αντικείμενα.
2. Καθαρίστε τις λείες επιφάνειες στον χώρο μαγειρέματος με ένα μαλακό, υγρό πανί.

6 Βασικός χειρισμός

6.1 Ενεργοποίηση της συσκευής

- Ενεργοποιήστε τη συσκευή με το .
- ✓ Όλα τα πεδία αφής ανάβουν κόκκινα. Η οθόνη ενδείξεων δείχνει το λογότυπο Bosch και μετά τη μέγιστη ισχύ μικροκυμάτων.
- ✓ Η συσκευή βρίσκεται σε ετοιμότητα λειτουργίας.
- ✓ Το  ανάβει κόκκινο.


6.2 Απενεργοποίηση της συσκευής

- Απενεργοποιήστε τη συσκευή με το .

- ✓ Η συσκευή διακόπτει τις τρέχουσες λειτουργίες.
- ✓ Η οθόνη ενδείξεων δείχνει την ώρα.

Σημείωση: Όταν δε χρειάζεστε τη συσκευή σας, απενεργοποιήστε την. Όταν για μεγαλύτερη χρονική διάρκεια δεν έχει γίνει καμία ρύθμιση, απενεργοποιείται η συσκευή αυτόματα.

6.3 Έναρξη της λειτουργίας

- Ξεκινήστε τη λειτουργία με το .
- ✓ Η οθόνη ενδείξεων δείχνει τις ρυθμίσεις.

- ✓ Εμφανίζεται η δακτυλιοειδής γραμμή και δείχνει το πόσο έχει τρέξει η διάρκεια.

Σημείωση: Όταν ανοίξετε κατά τη διάρκεια της λειτουργίας την πόρτα της συσκευής, η συσκευή διακόπτει τη λειτουργία και σταματά τη ρυθμισμένη ροή του χρόνου. Όταν θέλετε να ξεκινήσετε ξανά τη λειτουργία, κλείστε την πόρτα της συσκευής και πατήστε D.

6.4 Διακοπή της λειτουργίας

1. Πατήστε D.

✓ Η συσκευή διακόπτει τη λειτουργία.

2. Για να διαγράψετε όλες τις ρυθμίσεις, πατήστε ①.

Σημείωση: Όταν ανοίξετε την πόρτα της συσκευής, η συσκευή διακόπτει τη λειτουργία. Μετά από μια διακοπή ή τερματισμό της λειτουργίας μπορεί ο ανεμιστήρας ψύξης να συνεχίσει να λειτουργεί.

7 Μικροκύματα

Με τα μικροκύματα μπορείτε να μαγειρέψετε, να ζεστάνετε ή να ξεπαγώσετε ιδιαίτερα γρήγορα φαγητά.

7.1 Σκεύη και εξαρτήματα κατάλληλα για μικροκύματα

Για να θερμάνετε ομοιόμορφα τα φαγητά σας και για να μην προκαλέσετε ζημιά στη συσκευή σας, χρησιμοποιείτε κατάλληλα μαγειρικά σκεύη και εξαρτήματα.

Σημείωση: Προτού χρησιμοποιήσετε σκεύη για μικροκύματα, προσέχετε τα στοιχεία του κατασκευαστή. Σε περίπτωση αμφιβολίας εκτελέστε μια δοκιμή των σκευών.

Κατάλληλα για μικροκύματα

Σκεύη και εξαρτήματα	Λόγος
Σκεύη από υλικό ανθεκτικό στη θερμότητα και κατάλληλο για μικροκύματα: <ul style="list-style-type: none"> ■ Γυαλί ■ Υαλοκεραμικό υλικό ■ Πορσελάνη ■ Ανθεκτικό στη θερμοκρασία πλαστικό ■ Πλήρως εφυσωμένο κεραμικό χωρίς ρωγμές 	Τα μικροκύματα διαπερνούν αυτά τα υλικά. Τα μικροκύματα δεν καταστρέφουν τα ανθεκτικά στη θερμότητα σκεύη.
Μεταλλικά μαχαιροπίρουνα	Σημείωση: Για να αποφύγετε την επιβράδυνση του βρασμού, μπορείτε να χρησιμοποιήσετε μεταλλικά μαχαιροπίρουνα, π.χ. ένα κουτάλι μέσα στο ποτήρι.

6.5 Ρύθμιση του τρόπου λειτουργίας

Όταν ενεργοποιήσετε τη συσκευή, δείχνει η οθόνη ενδείξεων τον ρυθμισμένο προτεινόμενο τρόπο λειτουργίας. Μπορείτε να ξεκινήσετε αμέσως τον προτεινόμενο τρόπο λειτουργίας ή να ρυθμίσετε έναν άλλο τρόπο λειτουργίας.

1. Πατήστε το πεδίο του επιθυμητού τρόπου λειτουργίας.
 2. Αλλάξτε με τον δακτύλιο χειρισμού την επιλογή στην εστίαση. Όταν είναι απαραίτητο, πραγματοποιήστε περαιτέρω ρυθμίσεις. Προς τούτο πατήστε ελαφρά το αντίστοιχο πεδίο και αλλάξτε με τον δακτύλιο χειρισμού την τιμή.
 3. Πατήστε D.
- ✓ Η συσκευή ξεκινά τη λειτουργία.

ΠΡΟΣΟΧΗ!

Εάν ακουμπήσει μέταλλο πάνω στα τοιχώματα του χώρου μαγειρέματος δημιουργούνται σπινθήρες, που μπορεί να προκαλέσουν ζημιά στη συσκευή ή να καταστρέψουν το εσωτερικό τζάμι της πόρτας.

- ▶ Ένα μεταλλικό σώμα, π.χ. το κουτάλι στο ποτήρι, πρέπει να απέχει το λιγότερο 2 cm από τα τοιχώματα του χώρου μαγειρέματος και την εσωτερική πλευρά της πόρτας.

Μη κατάλληλα για μικροκύματα

Σκεύη και εξαρτήματα	Λόγος
Μεταλλικά σκεύη	Τα μικροκύματα δε διαπερνούν το μέταλλο. Τα φαγητά ζεσταίνονται ελάχιστα.
Σκεύη με διακόσμηση χρυσού ή ασημιού	Τα μικροκύματα μπορούν να καταστρέψουν τις διακοσμήσεις χρυσού ή ασημιού. Συμβουλή: Όταν ο κατασκευαστής εγγυάται, ότι τα σκεύη είναι κατάλληλα για μικροκύματα, μπορείτε να χρησιμοποιήσετε τα σκεύη.

7.2 Δοκιμή των σκευών για την καταλληλότητά τους για μικροκύματα

Ελέγξτε τα σκεύη για την καταλληλότητά τους για μικροκύματα με μια δοκιμή σκευών. Μόνο σε μια δοκιμή σκευών επιτρέπεται να λειτουργήσετε τη συσκευή στη λειτουργία μικροκυμάτων χωρίς φαγητά.

⚠ ΠΡΟΕΙΔΟΠΟΙΗΣΗ – Κίνδυνος ζεματισματος!

Τα προσιτά μέρη/εξαρτήματα ζεσταίνονται πολύ κατά τη λειτουργία.

- ▶ Μην ακουμπάτε ποτέ τα καυτά μέρη/εξαρτήματα.
- ▶ Κρατάτε τα παιδιά μακριά.

1. Τοποθετήστε το άδειο σκεύος μέσα στον χώρο μαγειρέματος.

2. Θέστε τη συσκευή για ½ - 1 λεπτό στη μέγιστη ισχύ μικροκυμάτων.
3. Ξεκινήστε τη λειτουργία.
4. Ελέγξτε αρκετές φορές το σκεύος:
 - Όταν το μαγειρικό σκεύος είναι κρύο ή έχει τη θερμοκρασία του χεριού, τότε είναι κατάλληλο για τον φούρνο μικροκυμάτων.

- Όταν το μαγειρικό σκεύος είναι καυτό ή δημιουργούνται σπινθήρες, διακόψτε τη δοκιμή του μαγειρικού σκεύους. Το σκεύος είναι ακατάλληλο για τα μικροκύματα.

7.3 Βαθμίδες ισχύος των μικροκυμάτων

Εδώ θα βρείτε μια επισκόπηση των βαθμίδων ισχύος των μικροκυμάτων και τη χρήση τους.




Ισχύς μικροκυμάτων σε W	Μέγιστη χρονική διάρκεια	Χρήση
90 W	1:30 ώρες	Ξεπάγωμα ευαίσθητων φαγητών.
180 W	1:30 ώρες	Ξεπάγωμα φαγητών και συνέχιση του μαγειρέματος.
360 W	1:30 ώρες	Μαγείρεμα κρέατος και ψαριών ή ζέσταμα ευαίσθητων φαγητών.
600 W	1:30 ώρες	Ζέσταμα και μαγείρεμα φαγητών.
900 W	30 λεπτά	Ζέσταμα υγρών. Η μέγιστη ισχύς δεν προβλέπεται για τη θέρμανση φαγητών.



Προτεινόμενες τιμές

Για κάθε ισχύ μικροκυμάτων, προτείνει η συσκευή μια χρονική διάρκεια. Την προτεινόμενη τιμή μπορείτε να την παραλάβετε ή να την αλλάξετε στην εκάστοτε περιοχή.



7.4 Ρύθμιση των μικροκυμάτων

Όταν ενεργοποιείτε τη συσκευή, εμφανίζεται στην οθόνη ενδείξεων πάντοτε ως πρόταση η υψηλότερη ισχύς μικροκυμάτων.

1. Προσέξτε τις υποδείξεις ασφαλείας. → Σελίδα 79
2. Προσέξτε τις υποδείξεις για την αποφυγή των υλικών ζημιών. → Σελίδα 81
3. Προσέξτε τις υποδείξεις για τα κατάλληλα για μικροκύματα σκεύη και εξαρτήματα. → Σελίδα 85
4. Πατήστε .
- ✓ Η συσκευή βρίσκεται σε ετοιμότητα λειτουργίας. Στην οθόνη ενδείξεων εμφανίζεται ως προτεινόμενη τιμή η μέγιστη ισχύς μικροκυμάτων. Η ισχύς μικροκυμάτων μπορεί να αλλάξει οποτεδήποτε.
5. Πατήστε το πεδίο της επιθυμητής ισχύος μικροκυμάτων.
 - ✓ Στην οθόνη ενδείξεων εμφανίζεται η ισχύς μικροκυμάτων και μια προτεινόμενη διάρκεια.
 - ✓ Το  ανάβει κόκκινο.
6. Ρυθμίστε με τον δακτύλιο χειρισμού την επιθυμητή διάρκεια.
7. Πατήστε .
- ✓ Η συσκευή ξεκινά τη λειτουργία.
- ✓ Στην οθόνη ενδείξεων τρέχει η διάρκεια.

- ✓ Όταν η διάρκεια λήξει, ηχεί ένα σήμα.
- 8. Για να σταματήσετε το σήμα πρόωρα, πατήστε .
- 9. Απενεργοποιήστε τη συσκευή με το .

Υποδείξεις

- Όταν πατήσετε το , δείχνει η οθόνη ενδείξεων για σύντομο χρόνο τη λειτουργία ρολογιού συναγερμού. Για να επιμηκύνετε τη διάρκεια, πατήστε εκ νέου το .
- Όταν ανοίξετε ενδιάμεσα την πόρτα της συσκευής, μπορεί ο ανεμιστήρας ψύξης να συνεχίσει να λειτουργεί.

7.5 Αλλαγή της διάρκειας


Μπορείτε να αλλάξετε οποτεδήποτε τη διάρκεια.

- ▶ Αλλάξτε με τον δακτύλιο χειρισμού τη διάρκεια.
- ✓ Η λειτουργία συνεχίζεται.

7.6 Αλλαγή της ισχύος μικροκυμάτων

Μπορείτε να αλλάξετε την ισχύ μικροκυμάτων κατά τη διάρκεια της λειτουργίας.

- ▶ Πατήστε το πεδίο για την επιθυμητή ισχύ μικροκυμάτων.
- ✓ Η διάρκεια παραμένει αμετάβλητη.
- ✓ Η λειτουργία συνεχίζεται.

Σημείωση: Εάν η διάρκεια ξεπερνά τη μέγιστη διάρκεια για την ισχύ μικροκυμάτων 900 W, μειώνει η συσκευή τη διάρκεια αυτόματα. Η λειτουργία δε συνεχίζεται. Ξεκινήστε τη λειτουργία με το .

8 Προγράμματα

Με τα προγράμματα σας υποστηρίζει η συσκευή σας κατά την παρασκευή διαφόρων φαγητών και επιλέγει αυτόματα τις ιδανικές ρυθμίσεις.

8.1 Υποδείξεις για τις ρυθμίσεις για τα φαγητά

Για την επίτευξη ενός ιδανικού αποτελέσματος μαγειρέματος, προσέξτε αυτές τις υποδείξεις.

- Χρησιμοποιείτε μόνο άψογα τρόφιμα.
- Αφαιρέστε τα τρόφιμα από τη συσκευασία και ζυγίστε τα. Όταν δεν μπορείτε να ρυθμίσετε το ακριβές βάρος στη συσκευή, στρογγυλοποιήστε το προς τα επάνω ή προς τα κάτω.
- Χρησιμοποιείτε μόνο κατάλληλο για μικροκύματα σκεύος, ανθεκτικό στη θερμοκρασία, π.χ. από γυαλί ή κεραμικό.
- Τοποθετήστε τα τρόφιμα μέσα στον κρύο χώρο μαγειρέματος.

Ξεπάγωμα

- Κατεψύχετε και αποθηκεύετε τρόφιμα επίπεδα και σε μερίδες στους -18°C .
- Τοποθετήστε το κατεψυγμένο τρόφιμο σε ένα ρηχό σκεύος, π.χ. ένα γυάλινο πιάτο ή ένα πιάτο πορσελάνης.
- Τα τρόφιμα μπορεί μετά το τέλος του προγράμματος να μην είναι ακόμη εντελώς ξεπαγωμένα. Τα τρόφιμα μπορούν όμως παρόλα αυτά να επεξεργαστούν καλά περαιτέρω.
- Κατά το ξεπάγωμα από κρέας ή πουλερικά δημιουργείται υγρό. Κατά το γύρισμα, αφαιρέστε το υγρό. Μην το χρησιμοποιήσετε περαιτέρω ή μην το αφήσετε να έρθει σε επαφή με άλλα τρόφιμα.
- Απομακρύνετε μετά το γύρισμα τον ήδη ξεπαγωμένο κιμά.
- Τοποθετήστε ολόκληρο το πουλερικό πρώτα με τη μεριά του στήθους, τα κομμάτια πουλερικών με τη μεριά της πέτσας στο σκεύος.

Λαχανικά

- Φρέσκα λαχανικά: Κόψτε τα σε ομοιόμορφα μεγάλα κομμάτια. Ανά 100 γρ. προσθέστε μια κουταλιά νερό.
- Κατεψυγμένα λαχανικά: Κατάλληλα είναι μόνο τα ζεματισμένα λαχανικά, όχι τα προμαγειρεμένα λαχανικά. Τα καταψυγμένα λαχανικά με σάλτσα σαντιγί δεν είναι κατάλληλα. Προσθέστε 1 έως 3 κουταλιές νερό. Για σπινάκι και κόκκινο λάχανο μην προσθέτετε νερό.

Πατάτες

- Βραστές πατάτες χωρίς φλούδα: Κόψτε τις σε ομοιόμορφα μεγάλα κομμάτια. Ανά 100 γρ. προσθέστε δύο κουταλιές νερό και λίγο αλάτι.
- Πατάτες βραστές με φλούδα: Χρησιμοποιήστε πατάτες ίδιου πάχους. Πλύντε τις και τρυπήστε τη φλούδα. Βάλτε τις πατάτες, όταν είναι ακόμα υγρές, μέσα σ' ένα σκεύος χωρίς νερό.
- Πατάτες φούρνου: Χρησιμοποιήστε πατάτες ίδιου πάχους. Πλύντε, στεγνώστε τις και τρυπήστε τη φλούδα.

Ρύζι

- Μη χρησιμοποιείτε καστανό ρύζι ή ρύζι σε σακούλα μαγειρέματος.
- Προσθέστε δύο έως δυόμισι φορές την ποσότητα του ρυζιού σε νερό.

Χρόνος ηρεμίας

Μερικά φαγητά απαιτούν μετά το τέλος του προγράμματος ακόμη έναν χρόνο ηρεμίας στον χώρο μαγειρέματος.

Φαγητό	Χρόνος ηρεμίας
Λαχανικά	περίπου 5 λεπτά
Πατάτες	περίπου 5 λεπτά Χύσιμο προηγούμενος του δημιουργούμενου νερού
Ρύζι	περίπου 5-10 λεπτά

8.2 Ρύθμιση προγράμματος

1. Πατήστε ①.
✓ Η συσκευή βρίσκεται σε ετοιμότητα λειτουργίας.
2. Πατήστε ④.
✓ Η οθόνη ενδείξεων δείχνει το πρώτο πρόγραμμα.
3. Ρυθμίστε με τον δακτύλιο χειρισμού το επιθυμητό πρόγραμμα.
4. Πατήστε ③.
✓ Η οθόνη ενδείξεων δείχνει μια προτεινόμενη τιμή για το βάρος.
5. Ρυθμίστε με τον δακτύλιο χειρισμού το επιθυμητό βάρος.
6. Πατήστε ⑤.
✓ Η συσκευή ξεκινά τη λειτουργία.
✓ Στην οθόνη ενδείξεων τρέχει η διάρκεια.
7. Όταν κατά τη διάρκεια του προγράμματος εμφανίζονται υποδείξεις στην οθόνη ενδείξεων για το γύρισμα ή ανακάτεμα:
 - Ανοίξτε την πόρτα της συσκευής.
 - Χωρίστε, ανακατέψτε ή γυρίστε το φαγητό.
 - Κλείστε την πόρτα της συσκευής.
 - Πατήστε ⑤.

Σημείωση: Εάν δε γυρίσετε ή ανακατέψετε το φαγητό, εξακολουθεί να τρέχει το πρόγραμμα παρόλα αυτά κανονικά μέχρι το τέλος.

Τα προγράμματα υπολογίζουν τη διάρκεια.

8.3 Πίνακας προγραμμάτων

Με τα προγράμματα μπορείτε να παρασκευάσετε πολύ εύκολα τα φαγητά. Επιλέγετε ένα πρόγραμμα και εισάγετε το βάρος του φαγητού σας. Την ιδανική ρύθμιση την αναλαμβάνει το πρόγραμμα.

Ξεπάγωμα

Φαγητό	Κατάλληλα τρόφιμα	Περιοχή βάρους σε kg	Σκεύος/Εξαρτήματα
Ψωμί, ξεπάγωμα ¹	Ψωμί, ολόκληρο, στρογγυλό ή μακρουλό, ψωμί σε φέτες, απλό κέικ, γλυκό με μαγιά, γλυκό φρούτων, γλυκό χωρίς γλάσο, σαντιγί ή ζελατίνη	0,20 – 1,50	Ρηχό, ανοιχτό σκεύος Πάτος του χώρου μαγειρέματος
Κρέας, ξεπάγωμα ¹	Ψητό, λεπτά κομμάτια κρέατος, κιμάς, κοτόπουλο	0,20 – 2,00	Ρηχό, ανοιχτό σκεύος Πάτος του χώρου μαγειρέματος
Ψάρι, ξεπάγωμα ¹	Ολόκληρο ψάρι, φιλέτο ψαριού, μπριζόλα ψαριού	0,10 – 1,00	Ρηχό, ανοιχτό σκεύος Πάτος του χώρου μαγειρέματος

¹ Προσέξτε το σήμα για το γύρισμα.

Μαγείρεμα



Φαγητό	Κατάλληλα τρόφιμα	Περιοχή βάρους σε kg	Σκεύος/Εξαρτήματα
Λαχανικά, φρέσκα ¹	Κουνουπίδι, μπρόκολο, καρότα, γογγυλοκράμβη, πράσο, πιπεριές, κολοκυθάκια	0,15 – 1,00	Κλειστό σκεύος Πάτος του χώρου μαγειρέματος
Λαχανικά, κατεψυγμένα ¹	Κουνουπίδι, μπρόκολο, καρότα, γογγυλοκράμβη, κόκκινο λάχανο, σπανάκι	0,15 – 1,00	Κλειστό σκεύος Πάτος του χώρου μαγειρέματος
Βραστές πατάτες χωρίς φλούδα	Πατάτες με ή χωρίς φλούδα, κομμάτια πατατών ίδιου μεγέθους	0,20 – 1,00	Κλειστό σκεύος Πάτος του χώρου μαγειρέματος
Ρύζι ¹	Ρύζι για πιλάφι	0,05 – 0,30	Ψηλό, κλειστό σκεύος Πάτος του χώρου μαγειρέματος


¹ Προσέξτε το σήμα για το ανακάτεμα.

9 Ρολόι συναγερμού


Μπορείτε να καθορίσετε έναν χρόνο του ρολογιού συναγερμού, μετά το πέρας του οποίου ηχεί ένα σήμα. Μπορείτε να ρυθμίσετε έναν χρόνο ρολογιού συναγερμού από το μέγιστο 24 ώρες. Η λειτουργία τρέχει ανεξάρτητα από τη λειτουργία της συσκευής και τις άλλες λειτουργίες χρόνου. Το σήμα του ρολογιού συναγερμού, διαφέρει από άλλα σήματα.

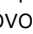
9.1 Ρύθμιση του ρολογιού συναγερμού

1. Πατήστε .
 - ✓ Η οθόνη ενδείξεων δείχνει το ρολόι συναγερμού.
 2. Ρυθμίστε με τον δακτύλιο χειρισμού τον χρόνο του ρολογιού συναγερμού.
 3. Πατήστε .
- Μετά από μερικά δευτερόλεπτα ξεκινά το ρολόι συναγερμού επίσης αυτόματα.
- ✓ Ο χρόνος του ρολογιού συναγερμού τρέχει.
 - ✓ Η ένδειξη περνά μετά από λίγο καιρό ξανά πίσω.
 - ✓ Η οθόνη ενδείξεων δείχνει πρόσθετα ένα σύμβολο ρολογιού συναγερμού.

- ✓ Όταν λήξει ο χρόνος του ρολογιού συναγερμού, ηχεί ένα σήμα.
- 4. Για να σταματήσετε το σήμα πρόωρα, πατήστε .

9.2 Αλλαγή του ρολογιού συναγερμού

1. Πατήστε .
- ✓ Η οθόνη ενδείξεων δείχνει το ρολόι συναγερμού.
2. Αλλάξτε τον χρόνο του ρολογιού συναγερμού με τον δακτύλιο χειρισμού.

Σημείωση: Όταν τρέχει ένας τρόπος λειτουργίας με ρυθμισμένη διάρκεια, τότε βρίσκεται η διάρκεια στην εστίαση. Μπορείτε να επιλέξετε το ρολόι συναγερμού με . Ο χρόνος του ρολογιού συναγερμού βρίσκεται για λίγο καιρό στην εστίαση. Μπορείτε να αλλάξετε τον χρόνο του ρολογιού συναγερμού.

9.3 Διακοπή του ρολογιού συναγερμού

- ▶ Επαναφέρετε τον χρόνο του ρολογιού συναγερμού.
- ✓ Μετά την παραλαβή δεν ανάβει πλέον το σύμβολο.

10 Βασικές ρυθμίσεις

Μπορείτε να προσαρμόσετε τις βασικές ρυθμίσεις της συσκευής σας στις προσωπικές σας ανάγκες.

10.1 Αλλαγή της βασικής ρύθμισης

Προϋπόθεση: Η συσκευή είναι απενεργοποιημένη.

1. Κρατήστε πατημένο το **i** για περίπου 3 δευτερόλεπτα.
 - ✓ Στην οθόνη ενδείξεων εμφανίζονται υποδείξεις για το πέρας της λειτουργίας.
2. Επιβεβαιώστε τις υποδείξεις με **ⓘ**.
 - ✓ Στην οθόνη ενδείξεων εμφανίζεται η πρώτη ρύθμιση "Γλώσσα".
3. Όταν είναι απαραίτητο, αλλάξτε με τον δακτύλιο χειρισμού τη ρύθμιση.
4. Πατήστε **ⓘ**.
 - ✓ Εμφανίζεται η επόμενη ρύθμιση στην οθόνη ενδείξεων και μπορεί να αλλαχτεί με τον δακτύλιο χειρισμού.
5. Περάστε όλες τις υποδείξεις με **ⓘ** και όταν είναι απαραίτητο, αλλάξτε τις με τον δακτύλιο χειρισμού.
6. Για να αποθηκεύσετε αλλαγές, κρατήστε πατημένο το **i** για περίπου 3 δευτερόλεπτα.
 - ✓ Στην οθόνη ενδείξεων εμφανίζεται μια υπόδειξη, ότι οι ρυθμίσεις αποθηκεύτηκαν.

Σημείωση: Μετά από μια διακοπή ρεύματος διατηρούνται οι αλλαγές σας στις βασικές ρυθμίσεις.

10.2 Διακοπή της αλλαγής των βασικών ρυθμίσεων

- ▶ Πατήστε **ⓘ**.
- ✓ Όλες οι αλλαγές απορρίπτονται και δεν αποθηκεύονται.

10.3 Επισκόπηση των βασικών ρυθμίσεων

Εδώ θα βρείτε μια επισκόπηση των βασικών ρυθμίσεων και των ρυθμίσεων εργοστασίου. Οι βασικές ρυθμίσεις εξαρτώνται από τον εξοπλισμό της συσκευής σας.

Υποδείξεις

- Οι αλλαγές των ρυθμίσεων για τη γλώσσα, τον ήχο πλήκτρου και τη φωτεινότητα της ένδειξης ισχύουν αμέσως. Όλες οι άλλες ρυθμίσεις ισχύουν, μόλις τις αποθηκεύσετε.
- Οι αλλαγές σας στις βασικές ρυθμίσεις διατηρούνται επίσης και μετά από μια διακοπή ρεύματος. Θα πρέπει να εκτελέσετε εκ νέου μετά από διακοπή ρεύματος μόνο τις ρυθμίσεις για την πρώτη θέση σε λειτουργία.
→ "Πρώτη θέση σε λειτουργία", Σελίδα 84

Βασικές ρυθμίσεις	Επιλογή
Γλώσσα	Ρύθμιση "Γλώσσα"
Ωρα	Ρύθμιση "Ωρα "
Ηχητικό σήμα	Μικρή διάρκεια Μεσαία διάρκεια ¹ Μεγάλη διάρκεια
Ήχος πλήκτρου	Απενεργοποιημένη ¹ Ενεργοποιημένη
Φωτεινότη. οθόνης	Η φωτεινότητα της οθόνης ενδείξεων είναι ρυθμιζόμενη σε 5 βαθμίδες Βαθμίδα 3 ¹
Ένδειξη της ώρας	Ενεργοποιημένη ¹ Απενεργοποιημένη
Συσκότιση νύχτας	Απενεργοποιημένη ¹ Ενεργοποιημένη (μειωμένη φωτεινότητα οθόνης ενδείξεων μεταξύ 22:00 και 06:00)
Λειτουργία παρουσίας	Απενεργοποιημένη ¹ Ενεργοποιημένη (εμφανίζεται μόνο στα πρώτα 3 λεπτά μετά από μια επαναφορά ή την πρώτη θέση σε λειτουργία)
Ρυθμίσεις εργοστασίου	Επαναφορά Μη επαναφορά ¹

¹ Ρυθμίσεις εργοστασίου (ανάλογα με τον τύπο της συσκευής μπορεί να διαφέρουν)

Σημείωση: Οι αλλαγές των ρυθμίσεων για τη γλώσσα, τον ήχο πλήκτρου και τη φωτεινότητα της οθόνης ενδείξεων ισχύουν αμέσως. Όλες οι άλλες ρυθμίσεις ισχύουν, μόλις τις αποθηκεύσετε.

10.4 Αλλαγή της ώρας

Προϋπόθεση: Η συσκευή είναι απενεργοποιημένη.

1. Κρατήστε πατημένο το **i** για περίπου 3 δευτερόλεπτα.
 - ✓ Στην οθόνη ενδείξεων εμφανίζονται υποδείξεις για το πέρας της λειτουργίας.
2. Επιβεβαιώστε τις υποδείξεις με **ⓘ**.
 - ✓ Στην οθόνη ενδείξεων εμφανίζεται η πρώτη ρύθμιση "Γλώσσα".
3. Πατήστε **ⓘ**.
 - ✓ Εμφανίζεται η ρύθμιση για την ώρα.
4. Αλλάξτε με τον δακτύλιο χειρισμού την ώρα.
5. Για να αποθηκεύσετε αλλαγές, κρατήστε πατημένο το **i** για περίπου 3 δευτερόλεπτα.
 - ✓ Στην οθόνη ενδείξεων εμφανίζεται μια υπόδειξη, ότι οι ρυθμίσεις αποθηκεύτηκαν.

11 Καθαρισμός και φροντίδα

Για να παραμένει η συσκευή σας για μεγάλο χρονικό διάστημα λειτουργική, καθαρίζετε και φροντίζετε την προσεκτικά.

11.1 Υλικά καθαρισμού

Χρησιμοποιείτε μόνο κατάλληλα υλικά καθαρισμού.

⚠ ΠΡΟΕΙΔΟΠΟΙΗΣΗ – Κίνδυνος ηλεκτροπληξίας!

Μια εισχώρηση υγρασίας μπορεί να προκαλέσει ηλεκτροπληξία.

- ▶ Μη χρησιμοποιείτε συσκευές εκτόξευσης ατμού ή συσκευές καθαρισμού υψηλής πίεσης, για να καθαρίσετε τη συσκευή.

ΠΡΟΣΟΧΗ!

Τα ακατάλληλα υλικά καθαρισμού καταστρέφουν τις επιφάνειες της συσκευής.

- ▶ Μη χρησιμοποιείτε κανένα ισχυρό απορρυπαντικό ή υλικά τριψίματος.
- ▶ Μη χρησιμοποιείτε ισχυρά αλκοολούχα υλικά καθαρισμού.
- ▶ Μη χρησιμοποιείτε κανένα σκληρό σύρμα τριψίματος ή σφουγγάρι καθαρισμού.
- ▶ Μη χρησιμοποιείτε κανένα ειδικό καθαριστικό για τον ζεστό καθαρισμό.
- ▶ Χρησιμοποιείτε υγρά καθαρισμού τζαμιών, ξύστρες γυαλιού ή μέσα φροντίδας ανοξειδωτού χάλυβα μόνο, όταν αυτά συνιστώνται στις οδηγίες καθαρισμού για το αντίστοιχο εξάρτημα.

Τα νέα σφουγγαρόπανα περιέχουν υπολείμματα από τη διαδικασία παραγωγής τους.

- ▶ Πριν τη χρήση, πλύνετε καλά τα νέα σφουγγαρόπανα.

Ποια υλικά καθαρισμού είναι κατάλληλα για τις ξεχωριστές επιφάνειες και τα ξεχωριστά εξαρτήματα, το μαθαίνετε στις αντίστοιχες οδηγίες καθαρισμού.

11.2 Καθαρισμός της συσκευής

Καθαρίζετε τη συσκευή όπως προβλέπεται, για να μην υποστούν ζημιά τα ξεχωριστά εξαρτήματα και οι ξεχωριστές επιφάνειες από έναν λάθος καθαρισμό ή από ακατάλληλα υλικά καθαρισμού.

⚠ ΠΡΟΕΙΔΟΠΟΙΗΣΗ – Κίνδυνος πυρκαγιάς!

Τα υπολείμματα φαγητών, το λίπος και ο χυμός από το ψητό μπορούν να αναφλεγούν.

- ▶ Πριν από τη λειτουργία απομακρύνετε τη χοντρή ρύπανση από τον χώρο μαγειρέματος, τα θερμαντικά στοιχεία και από τα εξαρτήματα.

⚠ ΠΡΟΕΙΔΟΠΟΙΗΣΗ – Κίνδυνος τραυματισμού!

Το γρατσουνισμένο γυαλί της πόρτας της συσκευής μπορεί να ραγίσει.

- ▶ Μη χρησιμοποιείτε ισχυρά καθαριστικά τριψίματος ή κοφτερές μεταλλικές ξύστρες για τον καθαρισμό του τζαμιού της πόρτας της συσκευής, επειδή μπορεί να γρατσουνίσουν την επιφάνεια.

1. Προσέξτε τις υποδείξεις για τα υλικά καθαρισμού. → Σελίδα 90
2. Προσέξτε τις υποδείξεις για τον καθαρισμό των εξαρτημάτων της συσκευής ή των επιφανειών.
3. Όταν δεν αναφέρεται κάτι διαφορετικό:

- Καθαρίστε τα εξαρτήματα της συσκευής με ζεστό διάλυμα απορρυπαντικού πιάτων και ένα πανί καθαρισμού.
- Στεγνώνετε με ένα μαλακό πανί.

11.3 Καθαρισμός του χώρου μαγειρέματος

ΠΡΟΣΟΧΗ!

Ο ακατάλληλος καθαρισμός μπορεί να προκαλέσει ζημιά στον χώρο μαγειρέματος.

- ▶ Μη χρησιμοποιείτε σπρέι φούρνου, υλικά τριψίματος ή άλλα δυνατά απορρυπαντικά φούρνου.

1. Προσέξτε τις υποδείξεις για τα υλικά καθαρισμού. → Σελίδα 90
2. Καθαρίστε με ζεστό διάλυμα απορρυπαντικού πιάτων ή ξιδόνερο.
3. Σε περίπτωση μεγάλης ρύπανσης, χρησιμοποιείτε απορρυπαντικό φούρνου. Χρησιμοποιείτε τα απορρυπαντικά φούρνου μόνο στον κρύο χώρο μαγειρέματος.

Συμβουλή: Για την απομάκρυνση των δυσάρεστων οσμών, ζεστώνετε ένα φλιτζάνι νερό με μερικές σταγόνες χυμό λεμονιού για 1 μέχρι 2 λεπτά με τη μέγιστη ισχύ μικροκυμάτων. Για να αποφύγετε την επιβράδυνση του βρασμού, τοποθετείτε πάντοτε ένα κουτάλι μέσα στο σκεύος.

4. Σκουπίστε τον χώρο μαγειρέματος με ένα μαλακό πανί.
5. Αφήστε τον χώρο μαγειρέματος να στεγνώσει με ανοιχτή την πόρτα.

11.4 Καθαρισμός της μπροστινής πλευράς της συσκευής

ΠΡΟΣΟΧΗ!

Ο ακατάλληλος καθαρισμός μπορεί να προκαλέσει ζημιά στην μπροστινή πλευρά της συσκευής.

- ▶ Μη χρησιμοποιείτε υγρά καθαρισμού τζαμιών, μεταλλικές ξύστρες ή ξύστρες γυαλιού για τον καθαρισμό.
- ▶ Για την αποφυγή διάβρωσης στις μπροστινές πλευρές ανοξειδωτού χάλυβα, απομακρύνετε αμέσως τους λεκέδες από άλατα ασβεστίου, λίπος, κορν φλάουρ και τους λεκέδες από ασπράδι αυγού.
- ▶ Στις επιφάνειες ανοξειδωτού χάλυβα χρησιμοποιείτε ειδικά μέσα φροντίδας ανοξειδωτού χάλυβα για ξεστές επιφάνειες.

1. Προσέξτε τις υποδείξεις για τα υλικά καθαρισμού. → Σελίδα 90
2. Καθαρίζετε την μπροστινή πλευρά της συσκευής με ζεστό διάλυμα απορρυπαντικού πιάτων και με ένα πανί καθαρισμού.

Σημείωση: Μικρές διαφορές χρώματος στην μπροστινή πλευρά της συσκευής εμφανίζονται από τα διάφορα υλικά, π.χ. γυαλί, πλαστικό ή μέταλλο.

3. Στις μπροστινές πλευρές της συσκευής από ανοξειδωτο χάλυβα, επαλείψτε πολύ λεπτά τα μέσα φροντίδας ανοξειδωτού χάλυβα με ένα μαλακό πανί. Τα υλικά φροντίδας ανοξειδωτού χάλυβα μπορείτε να τα προμηθευτείτε στην υπηρεσία εξυπηρέτησης πελατών ή στα ειδικά καταστήματα.
4. Στεγνώστε με ένα μαλακό πανί.

11.5 Καθαρισμός του πεδίου χειρισμού

ΠΡΟΣΟΧΗ!

Ο ακατάλληλος καθαρισμός μπορεί να προκαλέσει ζημιά στο πεδίο χειρισμού.

► Μη σκουπίζετε ποτέ υγρά το πεδίο χειρισμού.

1. Προσέξτε τις υποδείξεις για τα υλικά καθαρισμού. → Σελίδα 90
2. Καθαρίστε το πεδίο χειρισμού με ένα πανί από μικροΐνες ή με ένα μαλακό, υγρό πανί.
3. Στεγνώστε με ένα μαλακό πανί.

11.6 Καθαρισμός των τζαμιών της πόρτας

ΠΡΟΣΟΧΗ!

Ο ακατάλληλος καθαρισμός μπορεί να προκαλέσει ζημιά στα τζάμια της πόρτας.

► Μη χρησιμοποιείτε ξύστρες γυαλιού.

1. Προσέξτε τις υποδείξεις για τα υλικά καθαρισμού. → Σελίδα 90
2. Καθαρίστε τα τζάμια της πόρτας με ένα υγρό πανί καθαρισμού και υγρό καθαρισμού τζαμιών.
Σημείωση: Οι σκιές στα τζάμια της πόρτας, που φαίνονται σαν γρατσουνιές, είναι αντανακλάσεις φωτός του φωτισμού του χώρου μαγειρέματος.
3. Στεγνώστε με ένα μαλακό πανί.

11.7 Καθαρισμός της στεγανοποίησης της πόρτας

ΠΡΟΣΟΧΗ!

Ο ακατάλληλος καθαρισμός μπορεί να προκαλέσει ζημιά στη στεγανοποίηση της πόρτας.

- Μη χρησιμοποιείτε μεταλλικές ξύστρες ή ξύστρες γυαλιού για τον καθαρισμό.
► Μη χρησιμοποιείτε μέσα καθαρισμού που χαράζουν.

1. Προσέξτε τις υποδείξεις για τα υλικά καθαρισμού. → Σελίδα 90
2. Καθαρίζετε τη στεγανοποίηση της πόρτας με ζεστό διάλυμα απορρυπαντικού πιάτων και με ένα μαλακό πανί καθαρισμού.
3. Στεγνώστε με ένα μαλακό πανί.

11.8 Υποστήριξη καθαρισμού

Η υποστήριξη καθαρισμού αποτελεί μια γρήγορη εναλλακτική λύση για τον ενδιάμεσο καθαρισμό του χώρου μαγειρέματος. Η υποστήριξη καθαρισμού μουλιάζει τη ρύπανση μέσω της εξάτμισης διαλύμματος απορρυπαντικού πιάτων. Στη συνέχεια, μπορεί η ρύπανση να απομακρυνθεί ευκολότερα.

Ρύθμιση της υποστήριξης καθαρισμού

1. Βάλτε μερικές σταγόνες απορρυπαντικού πιάτων σ' ένα φλιτζάνι με νερό.
2. Τοποθετήστε ένα κουτάλι μέσα στο φλιτζάνι, για να αποφύγετε την επιβράδυνση του βρασμού.
3. Τοποθετήστε το φλιτζάνι στη μέση του χώρου μαγειρέματος.
4. Ρυθμίστε μια ισχύ μικροκυμάτων 600 W.
5. Ρυθμίστε μια διάρκεια 5 λεπτών.
6. Εκκινήστε τον φούρνο μικροκυμάτων.
7. Μετά το πέρας της διάρκειας, κρατήστε την πόρτα για περαιτέρω 3 λεπτά κλειστή.
8. Σκουπίστε τον χώρο μαγειρέματος με ένα μαλακό πανί.
9. Αφήστε τον χώρο μαγειρέματος να στεγνώσει με ανοιχτή την πόρτα.

12 Αποκατάσταση βλαβών

Τις μικρότερες βλάβες στη συσκευή σας μπορείτε να τις αποκαταστήσετε οι ίδιοι. Χρησιμοποιήστε τις πληροφορίες για την αποκατάσταση βλαβών, προτού έρθετε σε επαφή με την υπηρεσία εξυπηρέτησης πελατών. Έτσι αποφεύγετε άσκοπα έξοδα.

ΠΡΟΕΙΔΟΠΟΙΗΣΗ – Κίνδυνος τραυματισμού!

Οι ακατάλληλες επισκευές είναι επικίνδυνες.

- Μόνο εκπαιδευμένο, ειδικευμένο προσωπικό επιτρέπεται να πραγματοποιήσει επισκευές στη συσκευή.
- Όταν η συσκευή είναι ελαττωματική καλέστε την υπηρεσία εξυπηρέτησης πελατών.
→ "Υπηρεσία εξυπηρέτησης πελατών", Σελίδα 93

ΠΡΟΕΙΔΟΠΟΙΗΣΗ – Κίνδυνος ηλεκτροπληξίας!

Οι ακατάλληλες επισκευές είναι επικίνδυνες.

- Μόνο εκπαιδευμένο γι' αυτό, ειδικευμένο προσωπικό επιτρέπεται να πραγματοποιήσει επισκευές στη συσκευή.
- Μόνο γνήσια ανταλλακτικά επιτρέπεται να χρησιμοποιηθούν για την επισκευή της συσκευής.
- Εάν το καλώδιο σύνδεσης στο δίκτυο του ρεύματος αυτής της συσκευής υποστεί ζημιά, πρέπει να αντικατασταθεί από τον κατασκευαστή ή την υπηρεσία εξυπηρέτησης πελατών του ή από ένα αντίστοιχα ειδικευμένο άτομο, για την αποφυγή επικινδύνων καταστάσεων.

12.1 Δυσλειτουργίες

Βλάβη	Αιτίες και αντιμετώπιση προβλημάτων
Η συσκευή δε λειτουργεί.	Το φινι του καλωδίου σύνδεσης στο δίκτυο του ρεύματος δεν είναι συνδεδεμένο. ► Συνδέστε τη συσκευή στο δίκτυο του ρεύματος.
	Η ασφάλεια στο κιβώτιο ασφαλειών έπεσε. ► Ελέγξτε την ασφάλεια στο κιβώτιο των ασφαλειών.

Βλάβη	Αιτίες και αντιμετώπιση προβλημάτων
Η συσκευή δε λειτουργεί.	<p>Η παροχή ρεύματος έχει διακοπεί.</p> <ul style="list-style-type: none"> ▶ Ελέγξτε, εάν λειτουργεί ο φωτισμός χώρου ή οι άλλες συσκευές στον χώρο. <p>Λειτουργική βλάβη</p> <ol style="list-style-type: none"> 1. Κατεβάστε την ασφάλεια στο κιβώτιο των ασφαλειών. 2. Μετά από περίπου 10 δευτερόλεπτα ανεβάστε την ξανά. <ul style="list-style-type: none"> ✓ Εάν η βλάβη ήταν μια μόνο φορά, σβήνει το μήνυμα. 3. Εάν το μήνυμα εμφανιστεί εκ νέου, καλέστε την υπηρεσία εξυπηρέτησης πελατών. Δώστε κατά την κλήση το ακριβές μήνυμα σφάλματος. → "Υπηρεσία εξυπηρέτησης πελατών", Σελίδα 93
Η συσκευή δεν μπορεί να ξεκινήσει.	<p>Η πόρτα της συσκευής δεν είναι εντελώς κλειστή.</p> <ul style="list-style-type: none"> ▶ Κλείστε την πόρτα της συσκευής.
Η συσκευή δε θερμαίνει, στην οθόνη ενδείξεων ανάβει το σύμβολο [Z]	<p>Η λειτουργία παρουσίασης είναι ενεργοποιημένη.</p> <ol style="list-style-type: none"> 1. Χωρίστε τη συσκευή από το δίκτυο του ρεύματος, κατεβάζοντας για λίγο την ασφάλεια στο κιβώτιο των ασφαλειών. 2. Απενεργοποιήστε τη λειτουργία παρουσίασης εντός 3 λεπτών στις Βασικές ρυθμίσεις.
Ο δακτύλιος χειρισμού έπεσε έξω από την υποδοχή.	<p>Ο δακτύλιος χειρισμού απασφαλίστηκε.</p> <ol style="list-style-type: none"> 1. Τοποθετήστε τον δακτύλιο χειρισμού στην υποδοχή στο πεδίο χειρισμού. 2. Πιέστε τον δακτύλιο χειρισμού στην υποδοχή, ώστε να ασφαλίσει και να γυρνά.
Ο δακτύλιος χειρισμού δεν μπορεί να περιστρέφεται πλέον εύκολα.	<p>Κάτω από τον δακτύλιο χειρισμού υπάρχει ρύπανση. Ο δακτύλιος χειρισμού είναι αποσπώμενος.</p> <p>Σημείωση: Μην αφαιρείτε συχνά τον δακτύλιο χειρισμού, για να παραμείνει σταθερή η υποδοχή.</p> <ol style="list-style-type: none"> 1. Για να λύσετε τον δακτύλιο χειρισμού, πατήστε το εξωτερικό άκρο του δακτύλιου χειρισμού. <ul style="list-style-type: none"> ✓ Ο δακτύλιος χειρισμού ανατρέπεται και πιάνεται ευκολότερα. 2. Τραβήξτε τον δακτύλιο χειρισμού έξω από την υποδοχή. 3. Καθαρίστε προσεκτικά τον δακτύλιο χειρισμού και την υποδοχή του στη συσκευή με διάλυμα απορρυπαντικού πιάτων και ένα πανί καθαρισμού. Μη χρησιμοποιείτε κανένα ισχυρό καθαριστικό ή υλικά τριψίματος. Μη μουλιάσετε τον δακτύλιο χειρισμού. Μην καθαρίζετε τον δακτύλιο χειρισμού σε ένα πλυντήριο πιάτων. 4. Στεγνώστε τον δακτύλιο χειρισμού με ένα μαλακό πανί.
Ο φωτισμός του χώρου μαγειρέματος δε λειτουργεί.	<p>Ο φωτισμός του χώρου μαγειρέματος είναι ελαττωματικός</p> <ul style="list-style-type: none"> ▶ Καλέστε την → "Υπηρεσία εξυπηρέτησης πελατών", Σελίδα 93.

12.2 Υποδείξεις στο πεδίο ενδείξεων

Βλάβη	Αιτίες και αντιμετώπιση προβλημάτων
Η οθόνη ενδείξεων δείχνει το μήνυμα σφάλματος "Exxx"	<p>Εμφανίστηκε ένα σφάλμα.</p> <ol style="list-style-type: none"> 1. Όταν η οθόνη ενδείξεων δείξει ένα μήνυμα σφάλματος, απενεργοποιήστε και ενεργοποιήστε ξανά τη συσκευή. <ul style="list-style-type: none"> ✓ Όταν η οθόνη ενδείξεων δε δείχνει άλλο το μήνυμα σφάλματος, πρόκειται για ένα μεμονωμένο πρόβλημα. 2. Όταν η οθόνη ενδείξεων εξακολουθεί να δείχνει το μήνυμα σφάλματος ή το δείχνει επανειλημμένα, ελάτε σε επαφή με υπηρεσία εξυπηρέτησης πελατών και μεταδώστε τον κωδικό σφάλματος. 3. Όταν η οθόνη ενδείξεων δείχνει το μήνυμα σφάλματος E0532, ανοίξτε και κλείστε την πόρτα της συσκευής. 4. Όταν η οθόνη ενδείξεων δείχνει το μήνυμα σφάλματος E6501, απενεργοποιήστε τη συσκευή και ενεργοποιήστε την ξανά μετά από 10 λεπτά.

13 Απόσυρση

13.1 Απόσυρση παλιάς συσκευής

Με την απόσυρση σύμφωνα με τους κανόνες προστασίας του περιβάλλοντος, μπορούν να επαναποκτηθούν πολύτιμες πρώτες ύλες.

1. Τραβήξτε το φις του καλωδίου σύνδεσης στο δίκτυο του ρεύματος.
2. Κόψτε το καλώδιο σύνδεσης στο δίκτυο του ρεύματος.
3. Αποσύρετε τη συσκευή σύμφωνα με τους κανόνες προστασίας του περιβάλλοντος.

Πληροφορίες σχετικά με τους επίκαιρους τρόπους απόσυρσης θα βρείτε στο ειδικό κατάστημα ή στην αρμόδια τοπική Δημοτική Αρχή σας.



Αυτή η συσκευή χαρακτηρίζεται σύμφωνα με την ευρωπαϊκή οδηγία 2012/19/ΕΕ περί ηλεκτρικών και ηλεκτρονικών συσκευών (waste electrical and electronic equipment - WEEE). Η οδηγία προκαθορίζει τα πλαίσια για μια απόσυρση και αξιοποίηση των παλιών συσκευών με ισχύ σ' όλη την ΕΕ.

14 Υπηρεσία εξυπηρέτησης πελατών

Λεπτομερείς πληροφορίες για τον χρόνο εγγύησης και τους όρους εγγύησης στη χώρα σας θα λάβετε από την υπηρεσία εξυπηρέτησης πελατών της εταιρείας μας, τον έμπορά σας ή την ιστοσελίδα μας.

Όταν έρθετε σε επαφή με την υπηρεσία εξυπηρέτησης πελατών, χρειάζεστε τον αριθμό προϊόντος (E-Nr.) και τον αριθμό κατασκευής (FD) της συσκευής σας.

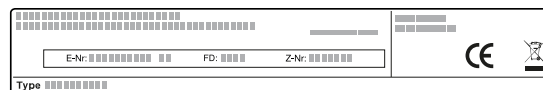
Τα στοιχεία επικοινωνίας της υπηρεσίας εξυπηρέτησης πελατών θα τα βρείτε στον συνημμένο κατάλογο της υπηρεσίας εξυπηρέτησης πελατών ή στην ιστοσελίδα μας.

Αυτό το προϊόν περιλαμβάνει πηγές φωτός της κατηγορίας ενεργειακής απόδοσης E. Οι πηγές φωτός είναι διαθέσιμες ως ανταλλακτικό και επιτρέπεται να αντικατασταθούν μόνο από εκπαιδευμένο για αυτό ειδικευμένο προσωπικό.

14.1 Αριθμός προϊόντος (E-Nr.) και αριθμός κατασκευής (FD)

Τον αριθμό προϊόντος (E-Nr.) και τον αριθμό κατασκευής (FD) θα τους βρείτε στην πινακίδα τύπου της συσκευής.

Την πινακίδα τύπου με τους αριθμούς θα τη βρείτε, ανοίγοντας την πόρτα της συσκευής.



Για να βρείτε ξανά γρήγορα τα στοιχεία της συσκευής σας και τον αριθμό τηλεφώνου της υπηρεσίας εξυπηρέτησης πελατών, μπορείτε να τα σημειώσετε.

15 Έτσι πετυχαίνει

Για διάφορα φαγητά θα βρείτε εδώ τις κατάλληλες ρυθμίσεις καθώς και τα καλύτερα εξαρτήματα και μαγειρικά σκεύη. Τις συστάσεις τις έχουμε προσαρμόσει ιδανικά για τη συσκευή σας.

15.1 Αυτός είναι ο καλύτερος τρόπος, για να προχωρήσετε

Εδώ θα μάθετε τον καλύτερο τρόπο, πώς να προχωρήσετε βήμα προς βήμα, για να μπορείτε να χρησιμοποιείτε ιδανικά τις συστάσεις ρύθμισης. Θα λάβετε στοιχεία για πολλά φαγητά με πληροφορίες και συμβουλές, για το πως να χρησιμοποιήσετε και να ρυθμίσετε τη συσκευή ιδανικά.

Συμβουλή

Υποδείξεις παρασκευής

- Οι συστάσεις ρύθμισης ισχύουν πάντοτε για τον κρύο και άδειο χώρο μαγειρέματος.
- Τα στοιχεία χρόνου στις επισκοπήσεις είναι ενδεικτικές τιμές. Εξαρτώνται από την ποιότητα και τη σύσταση των τροφίμων.

⚠ ΠΡΟΕΙΔΟΠΟΙΗΣΗ – Κίνδυνος εγκαύματος!

Τα τρόφιμα με σκληρό κέλυφος ή πέτσα μπορεί να εκραγούν κατά τη διάρκεια, αλλά και μετά από το ζέσταμα.

- ▶ Μη μαγειρεύετε ποτέ αυγά στο κέλυφος ή μη ζεστάνετε ποτέ σφιχτοβρασμένα αυγά στο κέλυφος.
- ▶ Μη μαγειρεύετε ποτέ οστρακοειδή ή μαλακόστρακα.
- ▶ Σε περίπτωση τηγανητήν αυγών ή αυγών σε ποτήρι, τρυπάτε προηγουμένως τον κρόκο.
- ▶ Σε περίπτωση τροφίμων με σκληρή φλούδα ή πέτσα, όπως π.χ. μήλα, ντομάτες, πατάτες ή λουκάνικα, μπορεί το κέλυφος να σκάσει. Πριν το ζέσταμα τρυπάτε τη φλούδα ή την πέτσα.

1. Πριν τη χρήση απομακρύνετε τα σκεύη που δεν είναι απαραίτητα από τον χώρο μαγειρέματος.
2. Επιλέξτε ένα επιθυμητό φαγητό από τις συστάσεις ρύθμισης.
3. Βάλτε το φαγητό σε ένα κατάλληλο σκεύος.
4. Τοποθετήστε το σκεύος στη μέση επάνω στον πάτο του χώρου μαγειρέματος.
Έτσι τα μικροκύματα φτάνουν τα φαγητά από όλες τις πλευρές.
5. Ρυθμίστε τη συσκευή αντίστοιχα με τις συστάσεις ρύθμισης.

Ρυθμίστε πρώτα τη μικρότερη διάρκεια. Όταν είναι απαραίτητο, αυξήστε τη διάρκεια.

6. Όταν αφαιρείτε ζεστά σκεύη από τον χώρο μαγειρέματος, χρησιμοποιείτε πάντοτε μια πιάστρα.

Αρχίστε με τη χαμηλότερη τιμή και ρυθμίστε, εάν είναι απαραίτητο, την επόμενη φορά πιο ψηλά. Μπορεί να συμβεί, να έχετε διαφορετικές ποσότητες, απ' αυτές που αναφέρονται στους πίνακες. Για αυτό υπάρχει ένας εμπειρικός κανόνας: Διπλάσια ποσότητα - σχεδόν διπλάσια χρονική διάρκεια, μισή ποσότητα - μισή χρονική διάρκεια.

15.2 Ξεπάγωμα, ζέσταμα και μαγείρεμα με μικροκύματα

Συστάσεις ρύθμισης για το ξεπάγωμα, ζέσταμα και μαγείρεμα με μικροκύματα.

Η χρονική διάρκεια εξαρτάται από τα μαγειρικά σκεύη και από τη θερμοκρασία, σύσταση και ποσότητα των τροφίμων. Γι' αυτό δίνονται στους πίνακες όρια τιμών.

Ξεπάγωμα με μικροκύματα

Σημείωση:

Υποδείξεις παρασκευής

- Κατεψύχετε τα φαγητά επίπεδα.
- Χρησιμοποιείτε ανοιχτά μαγειρικά σκεύη, κατάλληλα για μικροκύματα.
- Τοποθετήστε το σκεύος επάνω στον πάτο του χώρου μαγειρέματος.
- Ανακατέψτε ή γυρίστε τα φαγητά ενδιάμεσα 2-3 φορές. Κατά το γύρισμα, αφαιρέστε το υγρό από το ξεπάγωμα.
- Κατά το ξεπάγωμα από κρέας ή πουλερικά δημιουργείται υγρό. Κατά το γύρισμα, αφαιρέστε το υγρό. Μην το χρησιμοποιήσετε περαιτέρω ή μην το αφήσετε να έρθει σε επαφή με άλλα τρόφιμα.
- Απομακρύνετε μετά το γύρισμα τον ήδη ξεπαγωμένο κιμά.
- Κατά το γύρισμα χωρίστε τα ξεπαγωμένα κομμάτια μεταξύ τους.
- Αφήστε τα φαγητά μετά το ξεπάγωμα 10-60° λεπτά να ηρεμήσουν.

Φαγητά	Βάρος	Ισχύς μικροκυμάτων	Χρονική διάρκεια
Κρέας ολόκληρο, με και χωρίς κόκκαλα	800 γρ.	1. 180 W 2. 90 W	1. 15 λεπτά ¹ 2. 15-25 λεπτά
Κρέας ολόκληρο, με και χωρίς κόκκαλα	1000 γρ.	1. 180 W 2. 90 W	1. 20 λεπτά ¹ 2. 20-30 λεπτά ¹
Κρέας ολόκληρο, με και χωρίς κόκκαλα	1500 γρ.	1. 180 W 2. 90 W	1. 25 λεπτά ¹ 2. 25-30 λεπτά ¹
Κρέας σε κομμάτια ή φέτες	200 γρ.	1. 180 W 2. 90 W	1. 5-8 λεπτά ² 2. 5-10 λεπτά
Κρέας σε κομμάτια ή φέτες	500 γρ.	1. 180 W 2. 90 W	1. 8-11 λεπτά ² 2. 10-15 λεπτά
Κρέας σε κομμάτια ή φέτες	800 γρ.	1. 180 W 2. 90 W	1. 10 λεπτά ² 2. 10-15 λεπτά
Κιμάς, ανάμεικτος	200 γρ.	90 W	10-15 λεπτά ¹
Κιμάς, ανάμεικτος	500 γρ.	1. 180 W 2. 90 W	1. 5 λεπτά ¹ 2. 10-15 λεπτά
Κιμάς, ανάμεικτος	1.000 γρ.	1. 180 W 2. 90 W	1. 15 λεπτά ¹ 2. 10-15 λεπτά
Πουλερικά ή κομμάτια πουλερικών	600 γρ.	1. 180 W 2. 90 W	1. 8 λεπτά ¹ 2. 10-15 λεπτά
Πουλερικά ή κομμάτια πουλερικών	1.200 γρ.	1. 180 W 2. 90 W	1. 15 λεπτά ¹ 2. 20-25 λεπτά
Φιλέτο ψαριού, μπριζόλα ψαριού ή φέτες ψαριού	400 γρ.	1. 180 W 2. 90 W	1. 5 λεπτά 2. 10-15 λεπτά
Ψάρι, ολόκληρο	300 γρ.	1. 180 W 2. 90 W	1. 3 λεπτά ¹ 2. 10-15 λεπτά

¹ Γυρίστε πολλές φορές το φαγητό.

² Κατά το γύρισμα χωρίστε τα ξεπαγωμένα κομμάτια μεταξύ τους.

³ Ανακατέψτε ενδιάμεσα προσεκτικά το φαγητό.

⁴ Αφαιρέστε εντελώς τη συσκευασία.

⁵ Ξεπαγώνετε μόνο γλυκά χωρίς γλάσο, σαντιγί, ζελατίνη ή κρέμα.

⁶ Χωρίστε τα κομμάτια του γλυκού μεταξύ τους.

Φαγητά	Βάρος	Ισχύς μικροκυμάτων	Χρονική διάρκεια
Ψάρι, ολόκληρο	600 γρ.	1. 180 W 2. 90 W	1. 8 λεπτά ¹ 2. 15-20 λεπτά
Λαχανικά, π.χ. αρακάς	300 γρ.	180 W	10-15 λεπτά ³
Φρούτα, π.χ. φραμπούζ	300 γρ.	180 W	6-9 λεπτά ³
Φρούτα, π.χ. φραμπούζ	500 γρ.	1. 180 W 2. 90 W	1. 8 λεπτά 2. 5-10 λεπτά ³
Βούτυρο, λιώσιμο ⁴	125 γρ.	1. 180 W 2. 90 W	1. 1 λεπτό ⁴ 2. 1-2 λεπτά
Βούτυρο, λιώσιμο ⁴	250 γρ.	1. 180 W 2. 90 W	1. 1 λεπτό 2. 2-4 λεπτά
Ψωμί, ολόκληρο	500 γρ.	1. 180 W 2. 90 W	1. 8 λεπτά ¹ 2. 5-10 λεπτά
Ψωμί, ολόκληρο	1.000 γρ.	1. 180 W 2. 90 W	1. 12 λεπτά ¹ 2. 10-20 λεπτά
Γλυκό, στεγνό, π.χ. κέικ ^{5,6}	500 γρ.	90 W	10-15 λεπτά
Γλυκό, στεγνό, π.χ. κέικ ^{5,6}	750 γρ.	1. 180 W 2. 90 W	1. 5 λεπτά 2. 10-15 λεπτά
Γλυκό, ζουμερό, π.χ. γλυκό φρούτων, γλυκό μυζήθρας ⁵	500 γρ.	1. 180 W 2. 90 W	1. 5 λεπτά 2. 15-20 λεπτά
Γλυκό, ζουμερό, π.χ. γλυκό φρούτων, γλυκό μυζήθρας ⁵	750 γρ.	1. 180 W 2. 90 W	1. 7 λεπτά 2. 15-20 λεπτά

¹ Γυρίστε πολλές φορές το φαγητό.

² Κατά το γύρισμα χωρίστε τα ξεπαγωμένα κομμάτια μεταξύ τους.

³ Ανακατέψτε ενδιάμεσα προσεκτικά το φαγητό.

⁴ Αφαιρέστε εντελώς τη συσκευασία.

⁵ Ξεπαγώνετε μόνο γλυκά χωρίς γλάσο, σαντιγί, ζελατίνη ή κρέμα.

⁶ Χωρίστε τα κομμάτια του γλυκού μεταξύ τους.

Συμβουλές για το επόμενο ξεπάγωμα, ζέσταμα και μαγείρεμα με μικροκύματα

Προσέξτε αυτές τις συμβουλές για καλά αποτελέσματα κατά το ξεπάγωμα, ζέσταμα και μαγείρεμα με μικροκύματα.

Επιθυμία	Συμβουλή
Το φαγητό σας είναι πολύ στεγνό.	<ul style="list-style-type: none"> ■ Μειώστε τη χρονική διάρκεια ή επιλέξτε μια χαμηλότερη βαθμίδα ισχύος μικροκυμάτων. ■ Καλύψτε το φαγητό και προσθέστε περισσότερο υγρό.

Επιθυμία	Συμβουλή
Μετά την παρέλευση του χρόνου, το φαγητό σας δεν ξεπάγωσε, δε ζεστάθηκε ή δεν ψήθηκε.	<p>Αυξήστε τη χρονική διάρκεια. Οι μεγαλύτερες ποσότητες και τα χοντρά φαγητά χρειάζονται περισσότερο χρόνο.</p> <ul style="list-style-type: none"> ■ Ανακατεύετε ενδιάμεσα. ■ Μειώστε την ισχύ των μικροκυμάτων και αυξήστε τη χρονική διάρκεια.
Το φαγητό σας μετά τη λήξη του χρόνου εσωτερικά δεν είναι ακόμα έτοιμο, εξωτερικά όμως έχει ήδη υπερθερμανθεί.	<p>Μετά το ξεπάγωμα, το πουλερικό ή το κρέας είναι εξωτερικά ήδη μαγειρεμένο, αλλά εσωτερικά δεν έχει ακόμα ξεπαγώσει.</p> <ul style="list-style-type: none"> ■ Μειώστε την ισχύ των μικροκυμάτων. ■ Γυρίστε το μεγάλο για απόψυξη φαγητό αρκετές φορές.

15.3 Ζέσταμα

Με τη συσκευή σας μπορείτε να ζεστάνετε φαγητά.

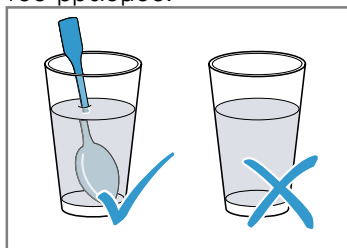
Ζέσταμα με μικροκύματα

Προσέξτε τις συστάσεις ρύθμισης για το ζέσταμα με μικροκύματα.

⚠ ΠΡΟΕΙΔΟΠΟΙΗΣΗ – Κίνδυνος ζεματίσματος!

Κατά το ζέσταμα υγρών μπορεί να προκληθεί επιβράδυνση του βρασμού. Αυτό σημαίνει, ότι η θερμοκρασία βρασμού επιτυγχάνεται, χωρίς να εμφανιστούν οι τυπικές φυσαλίδες ατμού. Συνιστάται προσοχή ακόμη και σε περίπτωση ελάχιστης μόνο ανακίνησης του σκεύους. Το καυτό υγρό μπορεί ξαφνικά να βράσει και να πιτσιλίσει.

- ▶ Κατά το ζέσταμα τοποθετείτε πάντοτε ένα κουτάλι μέσα στο σκεύος. Έτσι εμποδίζεται η επιβράδυνση του βρασμού.



ΠΡΟΣΟΧΗ!

Εάν ακουμπήσει μέταλλο πάνω στα τοιχώματα του χώρου μαγειρέματος δημιουργούνται σπινθήρες, που μπορεί να προκαλέσουν ζημιά στη συσκευή ή να καταστρέψουν το εσωτερικό τζάμι της πόρτας.

- ▶ Ένα μεταλλικό σώμα, π.χ. το κουτάλι στο ποτήρι, πρέπει να απέχει το λιγότερο 2 cm από τα τοιχώματα του χώρου μαγειρέματος και την εσωτερική πλευρά της πόρτας.

Σημείωση:

Υποδείξεις παρασκευής

- Χρησιμοποιείτε κλειστά μαγειρικά σκεύη, κατάλληλα για μικροκύματα. Για το σκέπασμα μπορείτε να χρησιμοποιήσετε επίσης ένα πιάτο ή μια ειδική μεμβράνη για μικροκύματα. Αφαιρέστε τα έτοιμα φαγητά από τη συσκευασία.
- Τοποθετήστε το σκεύος επάνω στον πάτο του χώρου μαγειρέματος.
- Γυρίστε ή ανακατέψτε τα φαγητά ενδιάμεσα 2-3 φορές.
- Αφήστε τα φαγητά μετά το ξεπάγωμα 2-5 λεπτά να ηρεμήσουν.
- Τα φαγητά αποδίδουν θερμότητα στα μαγειρικά σκεύη. Το μαγειρικό σκεύος μπορεί να ζεσταθεί πάρα πολύ. Χρησιμοποιείτε πιάστρες κουζίνας.

Φαγητά	Βάρος	Ισχύς μικροκυμάτων	Χρονική διάρκεια
Μενού, φαγητό μερίδας, έτοιμο φαγητό (2-3 συστατικά)		600 W	5-8 λεπτά
Ποτά ¹	125 ml	900 W	0,5-1 λεπτό ^{2,3}
Ποτά ¹	200 ml	900 W	1-2 λεπτά ^{2,3}
Ποτά ¹	500 ml	900 W	3-4 λεπτά ^{2,3}
Βρεφικές τροφές, π.χ. μπουκαλάκια για γάλα ⁴	50 ml	360 W	περίπου 0,5 λεπτά ^{5,6}
Βρεφικές τροφές, π.χ. μπουκαλάκια για γάλα ⁴	100 ml	360 W	0,5-1 λεπτό ^{4,6}
Βρεφικές τροφές, π.χ. μπουκαλάκια για γάλα ⁴	200 ml	360 W	1-2 λεπτά ^{4,6}
Σούπα, 1 φλιτζάνι	από 175 γρ.	600 W	1-2 λεπτά
Σούπα, 2 φλιτζάνια	από 175 γρ.	600 W	2-3 λεπτά
Κρέας σε σάλτσα ⁷	500 γρ.	600 W	7-10 λεπτά
Γιαχνί	400 γρ.	600 W	5-7 λεπτά
Γιαχνί	800 γρ.	600 W	7-8 λεπτά
Λαχανικά, 1 μερίδα	150 γρ.	600 W	2-3 λεπτά
Λαχανικά, 2 μερίδες	300 γρ.	600 W	3-5 λεπτά

¹ Βάλτε ένα κουτάλι στο ποτήρι.

² Μην υπερθερμαίνετε τα αλκοολούχα ποτά.

³ Ελέγξτε ενδιάμεσα το φαγητό.

⁴ Ζεσταίνετε τις βρεφικές τροφές χωρίς θηλή ή καπάκι.

⁵ Μετά το ζέσταμα κουνάτε πάντοτε το φαγητό καλά.

⁶ Ελέγξτε οπωσδήποτε τη θερμοκρασία.

⁷ Χωρίστε τις φέτες του κρέατος μεταξύ τους.

Ζέσταμα κατεψυγμένων φαγητών με μικροκύματα

Προσέξτε τις συστάσεις ρύθμισης για το ζέσταμα με μικροκύματα.

Σημείωση:

Υποδείξεις παρασκευής

- Χρησιμοποιείτε κλειστά μαγειρικά σκεύη, κατάλληλα για μικροκύματα. Για το σκέπασμα μπορείτε να χρησιμοποιήσετε επίσης ένα πιάτο ή μια ειδική μεμβράνη για μικροκύματα. Αφαιρέστε τα έτοιμα φαγητά από τη συσκευασία.
- Κατανέμετε τα φαγητά μέσα στο μαγειρικό σκεύος σε μικρό κατά το δυνατόν ύψος. Τα λεπτά φαγητά μαγειρεύονται γρηγορότερα απ' ό,τι τα χοντρά.
- Τοποθετήστε το σκεύος επάνω στον πάτο του χώρου μαγειρέματος.
- Τα φαγητά αποδίδουν θερμότητα στα μαγειρικά σκεύη. Το μαγειρικό σκεύος μπορεί να ζεσταθεί πάρα πολύ. Χρησιμοποιείτε πιάστρες κουζίνας.
- Γυρίστε ή ανακατέψτε τα φαγητά ενδιάμεσα 2-3 φορές.
- Αφήστε τα φαγητά μετά το ξεπάγωμα 2-5 λεπτά να ηρεμήσουν.
- Τα φαγητά αποδίδουν θερμότητα στα μαγειρικά σκεύη. Το μαγειρικό σκεύος μπορεί να ζεσταθεί πάρα πολύ. Χρησιμοποιείτε πιάστρες κουζίνας.
- Η χαρακτηριστική γεύση των φαγητών διατηρείται σε μεγάλο βαθμό. Χρησιμοποιείτε οικονομικά το αλάτι και τα μπαχαρικά.

Φαγητά	Βάρος	Ισχύς μικροκυμάτων	Χρονική διάρκεια
Μενού, φαγητό μερίδας, έτοιμο φαγητό (2-3 συστατικά)	300-400 γρ.	600 W	8-13 λεπτά
Σούπα	400 γρ.	600 W	8-12 λεπτά
Γιαχνί	500 γρ.	600 W	10-15 λεπτά
Φέτες κρέατος ή κομμάτια κρέατος σε σάλτσα, π.χ. γκούλας	500 γρ.	600 W	10-15 λεπτά
Ψάρι, π.χ. κομμάτια φιλέτου	400 γρ.	600 W	10-15 λεπτά
Σουφλέ, π.χ. λαζάνια, καννε-λόνια	450 γρ.	600 W	10-15 λεπτά
Συνοδευτικά, π.χ. ρύζι, μακαρονάκια ¹	250 γρ.	600 W	3-7 λεπτά
Συνοδευτικά, π.χ. ρύζι, μακαρονάκια ¹	500 γρ.	600 W	8-12 λεπτά
Λαχανικά, π.χ. αρακάς, μπρόκολο, καρότα ¹	300 γρ.	600 W	7-11 λεπτά
Λαχανικά, π.χ. αρακάς, μπρόκολο, καρότα ¹	600 γρ.	600 W	14-17 λεπτά
Αλεσμένο σπανάκι ²	450 γρ.	600 W	10-15 λεπτά

¹ Προσθέστε λίγο υγρό στο φαγητό.

² Μαγειρέψτε το φαγητό χωρίς προσθήκη νερού.

15.4 Μαγείρεμα

Με τη συσκευή σας μπορείτε να μαγειρέψετε φαγητά.

Μαγείρεμα με μικροκύματα**Σημείωση:**

Υποδείξεις παρασκευής

- Τοποθετήστε το σκεύος επάνω στον πάτο του χώρου μαγειρέματος.
- Κατανέμετε τα φαγητά μέσα στο μαγειρικό σκεύος σε μικρό κατά το δυνατόν ύψος. Τα λεπτά φαγητά μαγειρεύονται γρηγορότερα απ' ό,τι τα χοντρά.
- Χρησιμοποιείτε κλειστά μαγειρικά σκεύη, κατάλληλα για μικροκύματα. Μπορείτε επίσης να χρησιμοποιήσετε ένα πιάτο ή ένα καπάκι μικροκυμάτων για κάλυψη. Αφαιρέστε τα έτοιμα φαγητά από τη συσκευασία.

el Έτσι πετυχαίνει

- Η χαρακτηριστική γεύση των φαγητών διατηρείται σε μεγάλο βαθμό. Χρησιμοποιείτε οικονομικά το αλάτι και τα μπαχαρικά.
- Αφήστε το φαγητό να ηρεμήσει για 2 έως 5 λεπτά μετά το ζέσταμα.
- Τα φαγητά αποδίδουν θερμότητα στα μαγειρικά σκεύη. Το μαγειρικό σκεύος μπορεί να ζεσταθεί πάρα πολύ. Χρησιμοποιείτε πιάστρες κουζίνας.
- Όταν επάνω στις συσκευασίες αναφέρεται μια μεγαλύτερη ισχύ από 600 W για το μαγείρεμα φαγητών, χρησιμοποιείτε παρόλα αυτά το μέγιστο 600 W. Όταν είναι απαραίτητο, επιμηκύνετε τον αναφερόμενο χρόνο μέχρι το επιθυμητό αποτέλεσμα.

Φαγητά	Βάρος	Ισχύς μικροκυμάτων	Διάρκεια
Ολόκληρο κοτόπουλο, φρέσκο, χωρίς εντόσθια ¹	1.200 g	600 W	25–30 λεπτά
Φιλέτο ψαριού, φρέσκο	400 g	600 W	7-12 λεπτά
Λαχανικά, φρέσκα ^{2, 3, 4}	250 g	600 W	6-10 λεπτά
Λαχανικά, φρέσκα ^{2, 3, 4}	500 g	600 W	10-15 λεπτά
Πατάτες ^{2, 3, 4}	250 g	600 W	8-10 λεπτά
Πατάτες ^{2, 3, 4}	500 g	600 W	10-15 λεπτά
Πατάτες ^{2, 3, 4}	750 g	600 W	15-22 λεπτά
Ρύζι ⁵	125 g	1. 600 W 2. 180 W	1. 4-6 λεπτά 2. 12-15 λεπτά
Ρύζι ⁵	250 g	1. 600 W 2. 180 W	1. 6-8 λεπτά 2. 15-18 λεπτά
Γλυκά φαγητά, π.χ. πουτίγκα (στιγμής) ⁴	500 ml	600 W	5-8 λεπτά
Φρούτα, κομπόστα ⁴	500 ml	600 W	9-12 λεπτά
Ποπ-κορν για τον φούρνο μικροκυμάτων ⁶	1 σακούλα ανά 100 g	600 W	2,5-3,5 λεπτά

¹ Γυρίστε το φαγητό μετά το 1/2 του συνολικού χρόνου.

² Κόψτε σε ομοιόμορφα μεγάλα κομμάτια.

³ Προσθέστε στο φαγητό λίγο νερό.

⁴ Ανακατέψτε ενδιάμεσα προσεκτικά το φαγητό.

⁵ Προσθέστε τη διπλάσια ποσότητα υγρού.

⁶ Τοποθετείτε τη σακούλα ποπ-κορν πάντοτε πάνω σε ένα γυάλινο πιάτο. Προσέξτε τα στοιχεία του κατασκευαστή.

Πουτίγκα από σκόνη πουτίγκας

⚠ ΠΡΟΕΙΔΟΠΟΙΗΣΗ – Κίνδυνος εγκαύματος!

Τα ζεστά φαγητά εκλύουν θερμότητα. Έτσι μπορούν τα μαγειρικά σκεύη να ζεσταθούν πολύ.

► Απομακρύνετε τα μαγειρικά σκεύη ή τα εξαρτήματα από το χώρο μαγειρέματος πάντοτε με μια πιάστρα κουζίνας.

1. Ανακατέψτε ένα πακετάκι σκόνης πουτίγκας με τη ζάχαρη και λίγο γάλα σε ένα ψηλό μπολ κατάλληλο για μικροκύματα σύμφωνα με τις οδηγίες της συσκευασίας, έτσι ώστε να μην υπάρχουν σβώλοι.

2. Προσθέστε το υπόλοιπο γάλα και ανακατέψτε ξανά.
3. Τοποθετήστε το μπολ μέσα στον χώρο μαγειρέματος και κλείστε την πόρτα της συσκευής.
4. Ρυθμίστε τη συσκευή αντίστοιχα με τις συστάσεις ρύθμισης.
5. Μετά από 3 λεπτά ανακατέψτε για πρώτη φορά. Στη συνέχεια ανακατεύετε κάθε ένα λεπτό, μέχρι να επιτευχθεί η επιθυμητή συνεκτικότητα. Η διάρκεια εξαρτάται από τη θερμοκρασία του γάλακτος και το δοχείο που χρησιμοποιείται.

15.5 Φαγητά δοκιμών

Αυτές οι επισκοπήσεις δημιουργήθηκαν για εργαστήρια δοκιμών, για τη διευκόλυνση του ελέγχου της συσκευής κατά το πρότυπο 60350-1:2013 ή IEC 60350-1:2011 και κατά το πρότυπο 60705:2012, IEC 60705:2010.

Μαγείρεμα με μικροκύματα

Φαγητό	Ισχύς μικροκυμάτων σε W	Διάρκεια σε λεπτά	Υπόδειξη
Μείγμα αυγών-γάλακτος, 1.000 γρ.	1. 600 W 2. 180 W	1. 11-12 λεπτά 2. 8-10 λεπτά	Φόρμα πυρέξ

Φαγητό	Ισχύς μικροκυμάτων σε W	Διάρκεια σε λεπτά	Υπόδειξη
Παντεσπάνι, 475 γρ.	600 W	7-9 λεπτά	Φόρμα πυρέξ Ø 22 cm
Ψητός κιμάς, 900 γρ.	600 W	25-30 λεπτά	Φόρμα πυρέξ Ø 28 cm μακρουλή

Ξεπάγωμα με μικροκύματα

Συστάσεις ρύθμισης για το ξεπάγωμα με μικροκύματα.

Φαγητό	Ισχύς μικροκυμάτων σε W	Διάρκεια σε λεπτά	Υπόδειξη
Κρέας, 500 γρ.	1. 180 W 2. 90 W ή πρόγραμμα "Κρέας, ξεπάγωμα"	1. 8 λεπτά 2. 7-10 λεπτά	Φόρμα πυρέξ Ø 24 cm

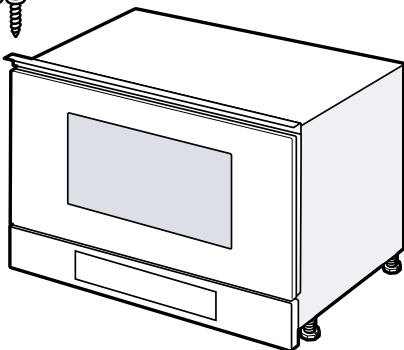
16 Οδηγίες συναρμολόγησης

Προσέξτε αυτές τις πληροφορίες κατά τη συναρμολόγηση της συσκευής.



16.1 Υλικά παράδοσης

Μετά το ξεπακετάρισμα ελέγξτε όλα τα μέρη για ενδεχόμενες ζημιές μεταφοράς καθώς και για την πληρότητα της παράδοσης.



⚠ 16.2 Ασφαλής συναρμολόγηση

Προσέξτε αυτές τις υποδείξεις ασφαλείας, όταν χρησιμοποιείτε τη συσκευή.

- Μόνο με τη σωστή τοποθέτηση σύμφωνα με τις οδηγίες τοποθέτησης διασφαλίζεται η ασφάλεια κατά τη χρήση. Ο εγκαταστάτης είναι υπεύθυνος για την άψογη λειτουργία στη θέση τοποθέτησης.
- Ελέγξτε τη συσκευή μετά την αφαίρεση της συσκευασίας. Σε περίπτωση ζημιάς κατά τη μεταφορά μην τη συνδέσετε.

- Απομακρύνετε τα υλικά συσκευασίας και τις κολλητικές μεμβράνες από τον χώρο μαγειρέματος και την πόρτα, πριν τη θέση σε λειτουργία.
- Προσέξτε τα φύλλα συναρμολόγησης για την εγκατάσταση των εξαρτημάτων.
- Τα εντοιχιζόμενα ντουλάπια πρέπει να είναι ανθεκτικά στη θερμοκρασία μέχρι τους 90 °C, οι γειτονικές προσόψεις των ντουλαπιών μέχρι τους 65 °C.
- Μην τοποθετήσετε τη συσκευή πίσω από μια διακοσμητική πόρτα ή πόρτα ντουλαπιού. Υπάρχει κίνδυνος υπερθέρμανσης.
- Πραγματοποιήστε τις εργασίες κοπής των ανοιγμάτων στο ντουλάπι πριν την τοποθέτηση της συσκευής. Αφαιρέστε τα απόβλητα (πριονίδια, γρέζια). Η λειτουργία των ηλεκτρικών εξαρτημάτων μπορεί να επηρεαστεί αρνητικά.
- Μόνο αδειούχο προσωπικό επιτρέπεται να συνδέσει συσκευές χωρίς φως. Σε περίπτωση ζημιών λόγω λάθους σύνδεσης, δεν υφίσταται κανένα δικαίωμα εγγύησης.

⚠ ΠΡΟΕΙΔΟΠΟΙΗΣΗ – Κίνδυνος τραυματισμού!

Εξαρτήματα, τα οποία κατά τη διάρκεια της συναρμολόγησης είναι προσιτά, μπορεί να είναι κοφτερά και να οδηγήσουν σε τραυματισμούς.

- ▶ Φοράτε προστατευτικά γάντια

⚠ ΠΡΟΕΙΔΟΠΟΙΗΣΗ – Κίνδυνος πυρκαγιάς!

Η χρήση ενός επεκταμένου καλωδίου σύνδεσης στο δίκτυο ρεύματος και μη εγκεκριμένων προσαρμογών, είναι επικίνδυνη.

- ▶ Μη χρησιμοποιείτε κανένα καλώδιο επέκτασης (μπαλαντέζα) ή πολύπριζο.
- ▶ Όταν το καλώδιο σύνδεσης στο δίκτυο ρεύματος είναι πολύ μικρό, ελάτε σε επαφή με την υπηρεσία εξυπηρέτησης πελατών.

16.3 Εντοιχιζόμενα ντουλάπια

Αυτή η συσκευή προορίζεται μόνο για την εντοιχιζόμενη τοποθέτηση. Αυτή η συσκευή δεν προορίζεται ως επιτραπέζια συσκευή ή για τη χρήση εντός ενός ντουλαπιού.

Το εντοιχιζόμενο ντουλάπι δεν επιτρέπεται να έχει πίσω από τη συσκευή κανένα πίσω τοίχωμα. Το ελάχιστο ύψος τοποθέτησης ανέρχεται σε 850 mm.

Οι σχισμές αερισμού και τα ανοίγματα αναρρόφησης δεν πρέπει να καλυφθούν.

16.4 Ηλεκτρική σύνδεση

Για την ασφαλή ηλεκτρική σύνδεση της συσκευής, προσέξτε αυτές τις υποδείξεις.

⚠ ΠΡΟΕΙΔΟΠΟΙΗΣΗ – Κίνδυνος: Μαγνητισμός!

Η συσκευή περιέχει μόνιμους μαγνήτες. Αυτοί μπορεί να επηρεάσουν αρνητικά τα ηλεκτρονικά στοιχεία εμφύτευσης, π.χ. βηματοδότες καρδιάς ή αντλίες ινσουλίνης.

- ▶ Οι φορείς ηλεκτρονικών στοιχείων εμφύτευσης πρέπει να τηρούν μια ελάχιστη απόσταση 10 cm από τη συσκευή.

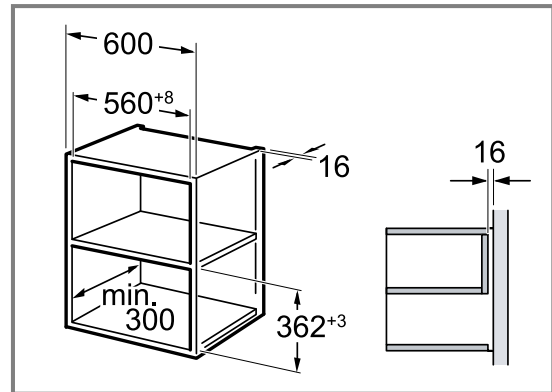
⚠ ΠΡΟΕΙΔΟΠΟΙΗΣΗ – Κίνδυνος πυρκαγιάς!

Η χρήση πολλαπλών πριζών, πολύπριζων ή μπαλαντέζων μπορεί να οδηγήσει σε φωτιά.

- ▶ Μη χρησιμοποιείτε ποτέ πολλαπλές πρίζες, πολύπριζα και μπαλαντέζες.
- Η συσκευή είναι έτοιμη για σύνδεση και επιτρέπεται να συνδεθεί σε μια πρίζα σούκο που είναι εγκατεστημένη σύμφωνα με τους κανονισμούς.
- Η ασφάλιση πρέπει να ανταποκρίνεται στα στοιχεία ισχύος στην πινακίδα τύπου και να πραγματοποιείται σύμφωνα με τις τοπικές προδιαγραφές.
- Η μετατόπιση μιας πρίζας επιτρέπεται να πραγματοποιηθεί μόνο από έναν ειδικευμένο ηλεκτρολόγο, λαμβάνοντας υπόψη τους σχετικούς κανονισμούς.
- Όταν μετά την τοποθέτηση δεν είναι πλέον προσιτό το φισ, πρέπει να υπάρχει από την πλευρά της εγκατάστασης μια διάταξη διακοπής όλων των πόλων με ένα διάκενο επαφής από το λιγότερο 3 mm.

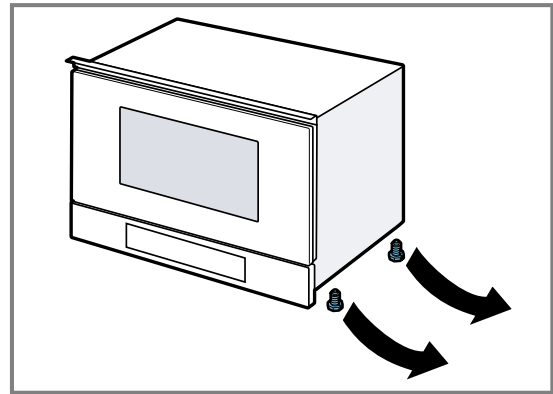
16.5 Τοποθέτηση σε ένα επάνω ντουλάπι

Προσέξτε τις διαστάσεις τοποθέτησης και τις αποστάσεις ασφαλείας στο ψηλό ντουλάπι.



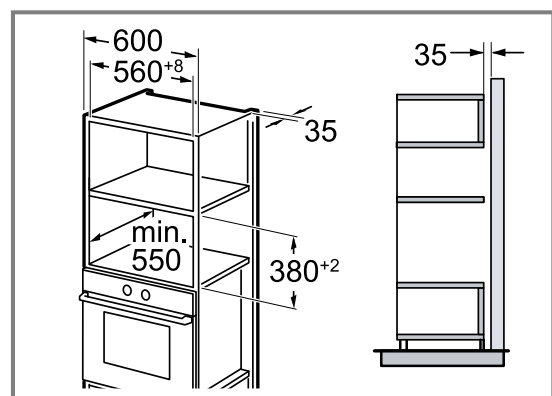
Τοποθετείτε τη συσκευή μόνο τόσο ψηλά, ώστε να μπορούν να απομακρύνονται τα εξαρτήματα χωρίς πρόβλημα.

Αφαιρέστε τα πόδια στήριξης.



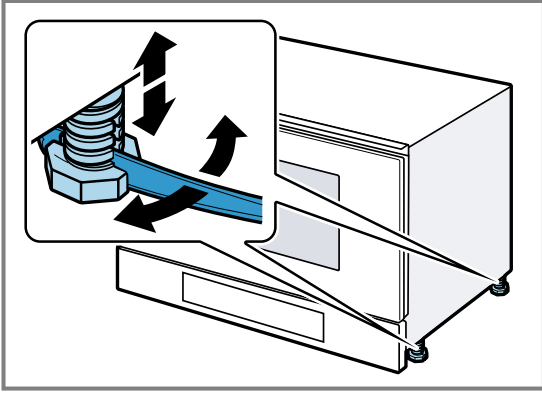
16.6 Τοποθέτηση σε ένα ψηλό ντουλάπι

Προσέξτε τις διαστάσεις τοποθέτησης και τις αποστάσεις ασφαλείας στο ψηλό ντουλάπι.



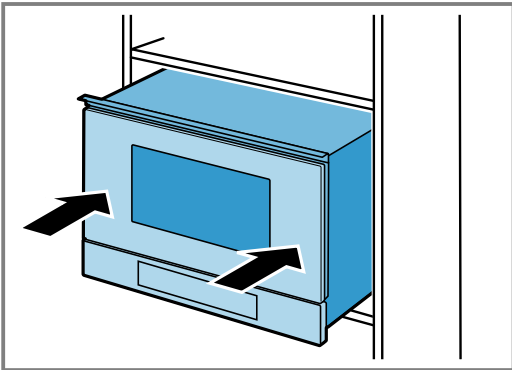
Τοποθετείτε τη συσκευή μόνο τόσο ψηλά, ώστε να μπορούν να απομακρύνονται τα εξαρτήματα χωρίς πρόβλημα.

Ρυθμίστε τα πόδια στήριξης.



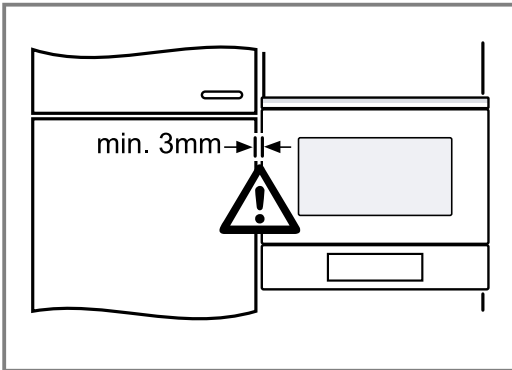
16.7 Τοποθέτηση της συσκευής

1. Σπρώξτε τη συσκευή εντελώς μέσα.



Μη τσακίσετε, μαγκώσετε ή περάσετε το καλώδιο σύνδεσης επάνω από κοφτερές ακμές.

2. Ελέγξτε την απόσταση προς τις γειτονικές συσκευές.

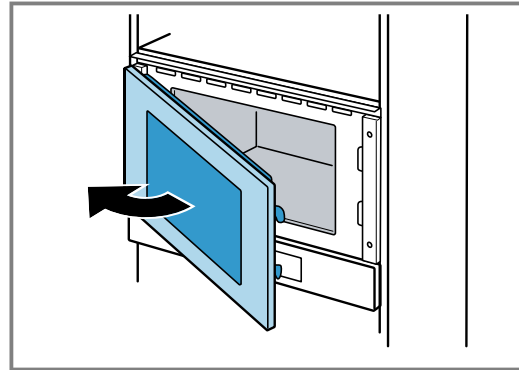


3. ΠΡΟΣΟΧΗ!

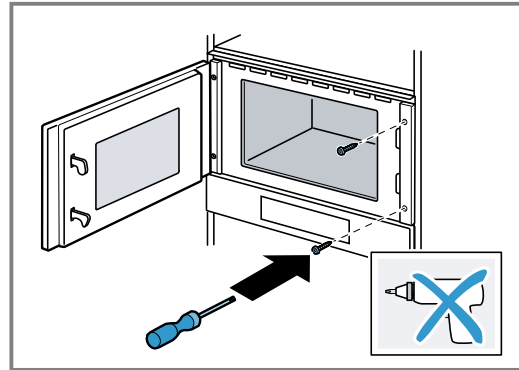
Κατά το άνοιγμα της πόρτας της συσκευής μπορεί η συσκευή να ανατραπεί προς τα εμπρός.

► Κατά το άνοιγμα της πόρτας της συσκευής κρατήστε τη συσκευή στη θέση της.

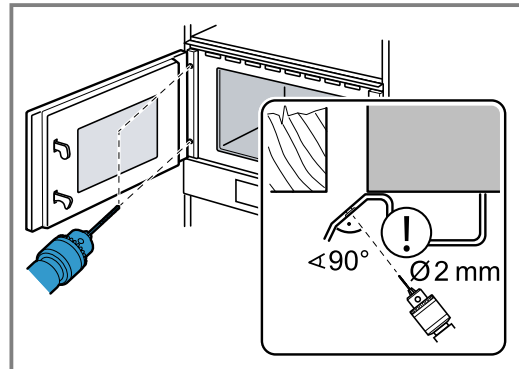
Ανοίξτε την πόρτα της συσκευής αργά.



4. Βιδώστε τη συσκευή στην απέναντι πλευρά των μεντεσέδων στο ντουλάπι.



5. Προτρυπήστε τις οπές για την κοχλιοσύνδεση στην πλευρά των μεντεσέδων στο ντουλάπι.



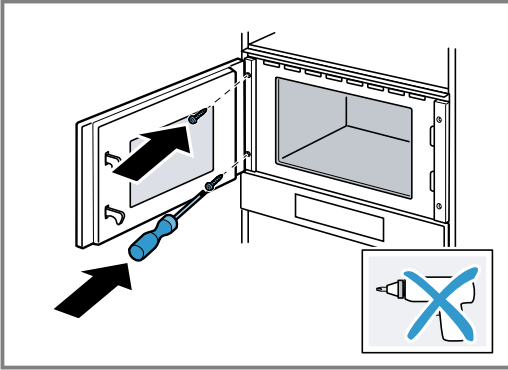
Καλύψτε τους μεντεσέδες της πόρτας.

Χρησιμοποιήστε ένα τρυπάνι ξύλου με 2 mm διάμετρο.

6. Απομακρύνετε τα απόβλητα από τον χώρο μαγειρέματος.

el Οδηγίες συναρμολόγησης

7. Βιδώστε τη συσκευή στην πλευρά των μεντεσέδων στο ντουλάπι.



8. Απομακρύνετε τα υλικά συσκευασίας και τις κολλητικές μεμβράνες από τον χώρο μαγειρέματος και την πόρτα.

16.8 Αφαίρεση της συσκευής

1. Θέστε τη συσκευή εκτός τάσης.
2. Λύστε τις βίδες στερέωσης.
3. Ανασηκώστε ελαφρά τη συσκευή και τραβήξτε την εντελώς έξω.



A series of horizontal lines for writing, starting from the top of the page and extending to the bottom. The lines are evenly spaced and cover the majority of the page's width.



Thank you for buying a Bosch Home Appliance!

Register your new device on MyBosch now and profit directly from:

- **Expert tips & tricks for your appliance**
- **Warranty extension options**
- **Discounts for accessories & spare-parts**
- **Digital manual and all appliance data at hand**
- **Easy access to Bosch Home Appliances Service**

Free and easy registration – also on mobile phones:

www.bosch-home.com/welcome

BOSCH
HOME APPLIANCES
SERVICE

Looking for help? You'll find it here.

Expert advice for your Bosch home appliances, help with problems or a repair from Bosch experts.

Find out everything about the many ways Bosch can support you:

www.bosch-home.com/service

Contact data of all countries are listed in the attached service directory.

BSH Hausgeräte GmbH

Carl-Wery-Straße 34
81739 München, GERMANY
www.bosch-home.com

A Bosch Company



9001654577 (030605)

en, es, pt, el

Valid within Great Britain:
Imported to Great Britain by
BSH Home Appliances Ltd.
Grand Union House
Old Wolverton Road
Wolverton, Milton Keynes
MK12 5PT
United Kingdom