

**Gaggenau**

en User manual and installation instructions

# **AL400122**

# **AL400192**

Extractor hood

# Table of contents

## INFORMATION FOR USE

|      |   |    |
|------|---|----|
| 1    | <b>Safety</b> .....                                     | 2  |
| 2    | <b>Avoiding material damage</b> .....                   | 4  |
| 3    | <b>Environmental protection and saving energy</b> ..... | 5  |
| 4    | <b>Operating modes</b> .....                            | 5  |
| 5    | <b>Familiarising yourself with your appliance</b> ..... | 6  |
| 6    | <b>Before using for the first time</b> .....            | 6  |
| 7    | <b>Basic operation</b> .....                            | 6  |
| 8    | <b>Cleaning and servicing</b> .....                     | 7  |
| 9    | <b>Troubleshooting</b> .....                            | 10 |
| 10   | <b>Customer Service</b> .....                           | 11 |
| 11   | <b>Disposal</b> .....                                   | 11 |
| 12   | <b>INSTALLATION INSTRUCTIONS</b> .....                  | 11 |
| 12.4 | <b>Secure installation</b> .....                        | 14 |

## 1 Safety

Observe the following safety instructions.

### 1.1 General information

- Read this instruction manual carefully.
- Keep the instruction manual and the product information safe for future reference or for the next owner.
- Do not connect the appliance if it has been damaged in transit.

### 1.2 Intended use

This appliance is designed only to be built into kitchen units. Read the special installation instructions.

The appliance can only be used safely if it is correctly installed according to the safety instructions. The installer is responsible for ensuring that the appliance works perfectly at its installation location.

Only use this appliance:

- For extracting cooking vapour.
- In private households and in enclosed spaces in a domestic environment.
- Up to an altitude of max. 2000 m above sea level.

Do not use the appliance:

- On boats or in vehicles.
- With an external timer.

### 1.3 Restriction on user group

This appliance may be used by children aged 8 or over and by people who have reduced physical, sensory or mental abilities or inadequate experience and/or knowledge, provided that they are supervised or have been instructed on how to use the appliance safely and have understood the resulting dangers.

Do not let children play with the appliance. Children must not perform cleaning or user maintenance unless they are at least 15 years old and are being supervised.

Keep children under the age of 8 years away from the appliance and power cable.

### 1.4 Safe use

#### **WARNING – Risk of suffocation!**

Children may put packaging material over their heads or wrap themselves up in it and suffocate.

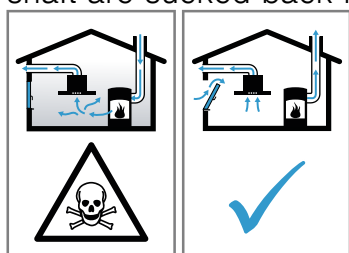
- ▶ Keep packaging material away from children.
- ▶ Do not let children play with packaging material.

Children may breathe in or swallow small parts, causing them to suffocate.

- ▶ Keep small parts away from children.
- ▶ Do not let children play with small parts.

### ⚠ **WARNING – Risk of poisoning!**

Risk of poisoning from flue gases being drawn back in. Room-air-dependent heat-producing appliances (e.g. gas, oil, wood or coal-operated heaters, continuous flow heaters or water heaters) obtain combustion air from the room in which they are installed and discharge the exhaust gases into the open through an exhaust gas system (e.g. a chimney). With the extractor hood switched on, air is extracted from the kitchen and the adjacent rooms. Without an adequate supply of air, the air pressure falls below atmospheric pressure. Toxic gases from the flue or the extraction shaft are sucked back into the living space.



- ▶ Always ensure adequate fresh air in the room if the appliance is being operated in exhaust air mode at the same time as a room-air-dependent heat-producing appliance is being operated.
- ▶ It is only possible to safely operate the appliance if the pressure in the room in which the heating appliance is installed does not drop more than 4 Pa (0.04 mbar) below atmospheric pressure. This can be achieved whenever the air needed for combustion is able to enter through openings that cannot be sealed, for example in doors, windows, incoming/exhaust air wall boxes or by other technical means. An incoming/exhaust air wall box alone does not ensure compliance with the limit.
- ▶ In any case, consult your responsible chimney sweep. They are able to assess the house's entire ventilation setup and will suggest the suitable ventilation measures to you.

### ⚠ **WARNING – Risk of fire!**

Fatty deposits in the grease filters may catch fire.

- ▶ Never operate the appliance without a grease filter.
- ▶ Clean the grease filters regularly.
- ▶ Never work with naked flames close to the appliance (e.g. flambéing).

- ▶ Do not install the appliance near a solid fuel heating appliance (e.g. wood- or coal-burning) unless the heating appliance has a sealed, non-removable cover. There must be no flying sparks.

Hot oil or grease ignites very quickly.

- ▶ Always supervise hot oil and fat.
- ▶ Never extinguish burning oil or fat with water. Switch off the cooking zone. Extinguish flames carefully using a lid, fire blanket or something similar.

When gas burners are in operation without any cookware placed on them, they can build up a lot of heat. The extractor hood that is fitted beside these may become damaged or catch fire.

- ▶ Only operate the gas burners with cookware on them.

### ⚠ **WARNING – Risk of burns!**

The accessible parts of the appliance become hot during operation.

- ▶ Never touch these hot parts.
- ▶ Keep children at a safe distance.

The appliance becomes hot during operation.

- ▶ Allow the appliance to cool down before cleaning.

Cookware set down within the movement area of the appliance may fall over. Hot liquids that pour out can cause injury.

- ▶ Do not set down any cookware within the movement area of the appliance.

The cookware and the hob are very hot.

- ▶ Never reach over the hot hob or hot cookware.

### ⚠ **WARNING – Risk of fire!**

Operating multiple gas hotplates at the same time generates a great deal of heat. A ventilation appliance installed beside these may become damaged or catch fire.

- ▶ Only combine the ventilation appliance with gas hotplates that do not exceed a maximum total power of 18 kW. If the total output exceeds 12 kW, the local regulations regarding room ventilation, room size and the combination of ventilation appliances with recirculation or circulated air mode must be observed.

### ⚠ **WARNING – Risk of injury!**

Components inside the appliance may have sharp edges.

- ▶ Carefully clean the appliance interior.

Items placed on the appliance may fall off.

- ▶ Do not place any objects on the appliance. Changes to the electrical or mechanical assembly are dangerous and may lead to malfunctions.
- ▶ Do not make any changes to the electrical or mechanical assembly.

**⚠ WARNING – Risk of crushing!**

Risk of trapping when retracting or extending the appliance.

- ▶ Never reach into the movement area of the appliance when it is retracting or extending.
- ▶ Keep children away from the appliance.

**⚠ WARNING – Risk of injury!**

The light emitted by LED lights is very dazzling, and can damage the eyes (risk group 1).

- ▶ Do not look directly into the switched-on LED lights for longer than 100 seconds.

**⚠ WARNING – Risk of electric shock!**

If the appliance or the power cord is damaged, this is dangerous.

- ▶ Never operate a damaged appliance.
- ▶ Never pull on the power cord to unplug the appliance. Always unplug the appliance at the mains.
- ▶ If the appliance or the power cord is damaged, immediately unplug the power cord or switch off the fuse in the fuse box.
- ▶ Call customer services. → *Page 11*

Incorrect repairs are dangerous.

- ▶ Repairs to the appliance should only be carried out by trained specialist staff.
- ▶ Only use genuine spare parts when repairing the appliance.
- ▶ If the power cord of this appliance is damaged, it must be replaced with a special connection cable, which is available from the manufacturer or his Customer Service.

An ingress of moisture can cause an electric shock.

- ▶ Before cleaning, pull out the mains plug or switch off the fuse in the fuse box.
- ▶ Do not use steam- or high-pressure cleaners to clean the appliance.

**⚠ WARNING – Risk of explosion!**

Highly caustic alkaline or highly acidic cleaning agents in conjunction with aluminium parts in the interior of the appliance may cause explosions.

- ▶ Never use highly caustic alkaline or highly acidic cleaning agents. In particular, do not use commercial or industrial cleaning agents in conjunction with aluminium parts, e.g. grease filter on extractor hoods.

**⚠ WARNING – Risk of fire!**

Fatty deposits in the grease filters may catch fire.

- ▶ Clean the grease filters regularly.

**⚠ WARNING – Risk of injury!**

Improper repairs are dangerous.

- ▶ Repairs to the appliance should only be carried out by trained specialist staff.
- ▶ If the appliance is defective, call Customer Service.

**⚠ WARNING – Risk of electric shock!**

Penetrating moisture may cause an electric shock.

- ▶ Do not use wet sponge cloths.

---

## 2 Avoiding material damage

**ATTENTION!**

Condensate may cause corrosion damage.

- ▶ To prevent condensation from building up, switch on the appliance during cooking.

If moisture gets into the controls, this may result in damage.

- ▶ Never clean controls with a wet cloth. Incorrect cleaning damages the surfaces.
- ▶ Follow the cleaning instructions.
- ▶ Do not use harsh or abrasive detergents.

- ▶ Clean stainless steel surfaces in the direction of the finish only.

▶ Never clean controls with stainless steel cleaners. Objects set down on the appliance may damage the appliance or the hob when retracting or extending.

- ▶ Do not place any objects on the appliance.

Painted surfaces are easily damaged.

- ▶ Follow the cleaning instructions.  
→ *"Cleaning the appliance", Page 8*

- ▶ Ensure that the painted surfaces are not scratched.

## 3 Environmental protection and saving energy

### 3.1 Disposing of packaging

The packaging materials are environmentally compatible and can be recycled.

- ▶ Sort the individual components by type and dispose of them separately.

### 3.2 Saving energy

If you follow these instructions, your appliance will use less power.

Adjust the fan speed to the amount of steam produced during cooking.

- The lower the fan speed, the less energy is consumed.  
Only use the intensive mode as required.

If cooking produces large amounts of steam, select a higher fan speed in good time.

- The odours are distributed around the room less.

Switch off the lighting if it is no longer required.

- When the lighting is switched off, it does not consume any energy.

Clean or replace the filters at regular intervals.

- The effectiveness of the filter is retained.

Put the cooking lid on.

- The cooking vapours and condensation are reduced.

Only use the additional functions if required.

- Switching off additional functions reduces power consumption.

## 4 Operating modes

You can use your appliance in air extraction mode or circulating-air mode.

### 4.1 Air extraction mode

The air which is drawn in is cleaned by the grease filters and conveyed to the exterior by a pipe system.



The air must not be discharged into a flue that is used for exhausting fumes from appliances burning gas or other fuels (not applicable to appliances that only discharge the air back into the room).

- If the exhaust air is to be conveyed into a non-functioning smoke or exhaust gas flue, you must obtain the consent of the heating engineer responsible.
- If the exhaust air is conveyed through the external wall, a telescopic duct should be used.

### 4.2 Air recirculation mode

The air which is drawn in is cleaned by the grease filters and an odour filter, and conveyed back into the room.







To bind odours in circulating-air mode, you must install an odour filter. The different options for operating the appliance in circulating-air mode can be found in our catalogue. Alternatively, ask your dealer. The required accessories are available from specialist retailers, from customer service or from the Online Shop.


## 5 Familiarising yourself with your appliance

### 5.1 Controls

You can use the control panel to configure all functions of your appliance and to obtain information about the operating status.

All function selection buttons light up when they are active. The indicator light for the saturation indicator flashes.

|  |                                       |
|--|---------------------------------------|
|  | Switching the lighting on or off      |
|  | Reset the filter saturation indicator |
|  | Switching the fan run-on on or off    |
|  | Switching intensive mode on or off    |

|   |                                       |
|---|---------------------------------------|
| <b>3</b>  | Switch fan setting <b>3</b> on or off |
| <b>2</b>  | Switch fan setting <b>2</b> on or off |
| <b>1</b>  | Switch fan setting <b>1</b> on or off |
|  | Switch the appliance on or off        |

### 5.2 Safety switch-off function

For your protection, the appliance has a safety switch-off function.

The appliance switches the lighting off after 12 hours and the ventilation system after 4 hours if you do not operate the appliance during this period.

## 6 Before using for the first time

Clean the appliance and accessories.

## 7 Basic operation

### 7.1 Extending the appliance

#### **WARNING – Risk of crushing!**

Risk of trapping when retracting or extending the appliance.

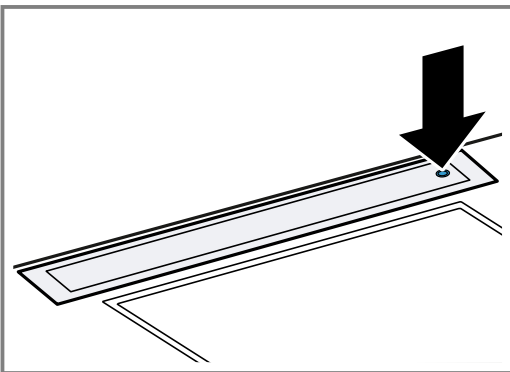
- ▶ Never reach into the movement area of the appliance when it is retracting or extending.
- ▶ Keep children away from the appliance.

#### **WARNING – Risk of burns!**

Cookware set down within the movement area of the appliance may fall over. Hot liquids that pour out can cause injury.

- ▶ Do not set down any cookware within the movement area of the appliance.

1. Remove any objects from the appliance's area of movement.
2. Press the button on the top of the appliance.



- ✓ The appliance extends fully.

### 7.2 Retracting the appliance

#### **WARNING – Risk of crushing!**

Risk of trapping when retracting or extending the appliance.

- ▶ Never reach into the movement area of the appliance when it is retracting or extending.
- ▶ Keep children away from the appliance.

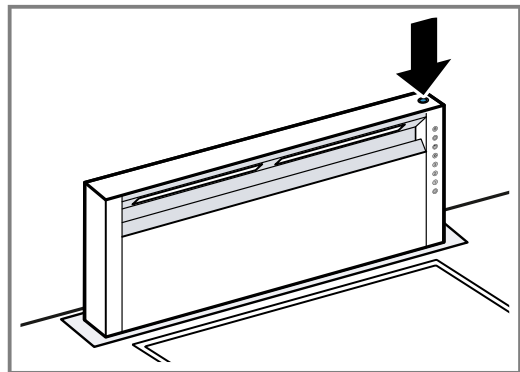
#### **WARNING – Risk of burns!**

Cookware set down within the movement area of the appliance may fall over. Hot liquids that pour out can cause injury.

- ▶ Do not set down any cookware within the movement area of the appliance.

**Requirement:** The filter cover is completely closed.

1. Remove any objects from the appliance's area of movement.
2. Press the button on the top of the appliance.



- ✓ The appliance retracts fully.
- ✓ The appliance switches the light and the ventilation system off.

### 7.3 Switching on the appliance

**Requirement:** The appliance is fully extended.

- ▶ Press ①.
- ✓ The appliance starts at fan setting 2.

### 7.4 Switching off the appliance

- ▶ Press ①.

### 7.5 Setting a fan setting

- ▶ Press 1, 2, 3 or >> to set the fan setting.

### 7.6 Switching on the intensive setting

If particularly strong odours or vapours develop, you can use intensive mode.

1. Press ①.
- ✓ The appliance starts at fan setting 2.
2. Press >>.
- ✓ Intensive mode is now activated.
- ✓ After approx. 6 minutes, the appliance switches back to the fan setting that was previously selected.

### 7.7 Switching off the intensive setting

- ▶ Press ①, 1, 2 or 3.
- ✓ Intensive mode is ended early.

### 7.8 Switching on the fan run-on

The fan run-on is available for every fan setting.

1. Press 1, 2, 3 or >>.
2. Press ①.
- ✓ The fan run-on starts at the selected fan setting.
- ✓ The appliance switches off after approx. 10 minutes.
- ✓ The lighting remains on once the fan run-on time has elapsed.

### 7.9 Switching off the fan run-on

- ▶ Press ①.
- ✓ The fan run-on ends before the remaining run-on time has elapsed.

### 7.10 Switching on intermittent ventilation

With intermittent ventilation, the appliance switches the ventilation on and off at regular intervals.

1. Press 1, 2 or 3.
2. Press ① twice.
- ✓ ① and the symbol for the selected fan setting flash alternately.
- ✓ Interval ventilation is switched on.
- ✓ The appliance switches on the ventilation system for approx. 10 minutes every hour in each case.

### 7.11 Switching off intermittent ventilation

- ▶ Press ①.
- ✓ Intermittent ventilation is switched off.

### 7.12 Switching on the lighting

The lighting can be switched on and off independently of the ventilation system.

- ▶ Press ☀.

### 7.13 Setting the brightness

- ▶ Press and hold ☀ until the required brightness is reached.

### 7.14 Switching off the lighting

- ▶ Press ☀.

### 7.15 Resetting the saturation indicator

After 30 hours of operation, the saturation indicator ② for the grease filter flashes.

1. Clean the grease filters.  
→ "Cleaning and servicing", Page 7
2. Press ②.

## 8 Cleaning and servicing

To keep your appliance working efficiently for a long time, it is important to clean and maintain it carefully.

### 8.1 Cleaning products

You can obtain suitable cleaning products from after-sales service or the online shop.

#### **⚠ WARNING – Risk of electric shock!**

- An ingress of moisture can cause an electric shock.
- ▶ Before cleaning, pull out the mains plug or switch off the fuse in the fuse box.
  - ▶ Do not use steam- or high-pressure cleaners to clean the appliance.

#### **⚠ WARNING – Risk of burns!**

- The appliance becomes hot during operation.
- ▶ Allow the appliance to cool down before cleaning.

#### **ATTENTION!**

Unsuitable cleaning products may damage the surfaces of the appliance.

- ▶ Do not use harsh or abrasive detergents.
- ▶ Do not use cleaning products with a high alcohol content.
- ▶ Do not use hard scouring pads or cleaning sponges.
- ▶ Only use glass cleaners, glass scrapers or stainless steel care products if recommended in the cleaning instructions for the relevant part.
- ▶ Wash sponge cloths thoroughly before use.

## 8.2 Cleaning the appliance

Clean the appliance as specified. This will ensure that the different parts and surfaces of the appliance are not damaged by incorrect cleaning or unsuitable cleaning products.

### **⚠ WARNING – Risk of explosion!**

Highly caustic alkaline or highly acidic cleaning agents in conjunction with aluminium parts in the interior of the appliance may cause explosions.

- ▶ Never use highly caustic alkaline or highly acidic cleaning agents. In particular, do not use commercial or industrial cleaning agents in conjunction with aluminium parts, e.g. grease filter on extractor hoods.

### **⚠ WARNING – Risk of electric shock!**

An ingress of moisture can cause an electric shock.

- ▶ Before cleaning, pull out the mains plug or switch off the fuse in the fuse box.
- ▶ Do not use steam- or high-pressure cleaners to clean the appliance.

### **⚠ WARNING – Risk of burns!**

The appliance becomes hot during operation.

- ▶ Allow the appliance to cool down before cleaning.

### **⚠ WARNING – Risk of injury!**

Components inside the appliance may have sharp edges.

- ▶ Carefully clean the appliance interior.

1. Observe the information regarding the cleaning agents.  
→ "Cleaning products", Page 7
2. Clean as follows, depending on the surface:
  - Clean stainless steel surfaces in the direction of the finish using a sponge cloth and hot soapy water.
  - Clean painted surfaces using a damp sponge cloth and hot soapy water.
  - Clean aluminium using a soft cloth and glass cleaner.
  - Clean plastic using a soft cloth and glass cleaner.
  - Clean glass using a soft cloth and glass cleaner.
3. Dry with a soft cloth.
4. Apply a thin layer of the stainless steel cleaning product to stainless steel surfaces using a soft cloth.  
You can obtain stainless steel cleaning products from the after-sales service or the online shop.

## 8.3 Cleaning controls

### **⚠ WARNING – Risk of electric shock!**

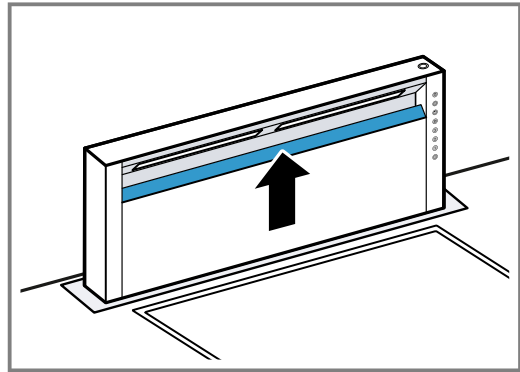
Penetrating moisture may cause an electric shock.

- ▶ Do not use wet sponge cloths.

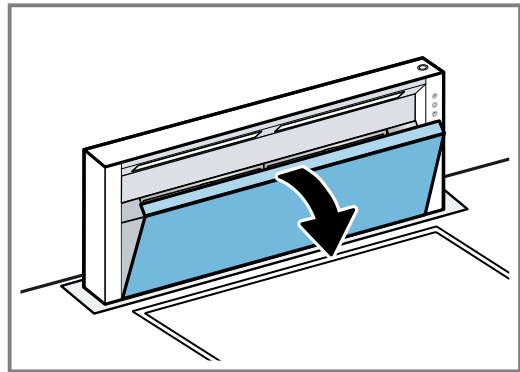
1. Observe the information regarding the cleaning agents.  
→ "Cleaning products", Page 7
2. Clean using a damp sponge cloth and hot soapy water.
3. Dry with a soft cloth.

## 8.4 Opening the filter cover

1. Grip the filter cover in the middle and pull it upwards.

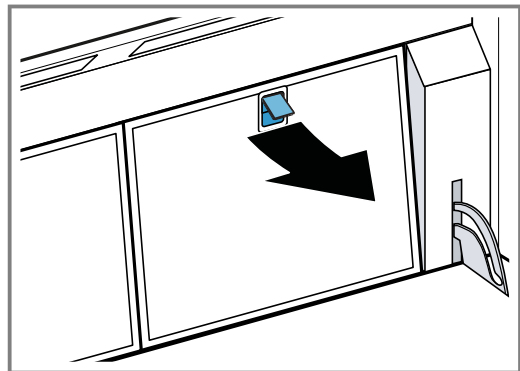


2. Fold the filter cover forwards.

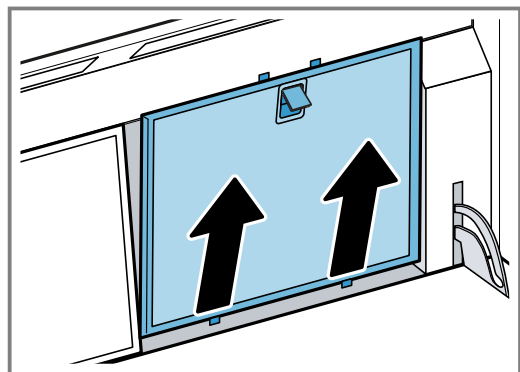


## 8.5 Removing the grease filter

1. Open the locking mechanism and fold the grease filter forwards.



2. Remove the grease filters from the holders.



To prevent grease from dripping, hold the grease filters horizontally.



- Clean the grease filter holder in the appliance using a damp cloth.

## 8.6 Cleaning grease filters manually

The grease filters filter the grease from the cooking vapour. Regularly cleaned grease filters guarantee a high level of grease removal. We recommend cleaning the grease filters every two months.

### **⚠ WARNING – Risk of fire!**

Fatty deposits in the grease filters may catch fire.

- ▶ Clean the grease filters regularly.

**Requirement:** The grease filters have been removed.

- Observe the information regarding the cleaning agents.  
→ "Cleaning products", Page 7
- Soak the grease filter in hot soapy water. Use special grease solvent for stubborn dirt. You can obtain grease solvents from customer service or the online shop.
- Use a brush to clean the grease filters.
- Rinse the grease filters thoroughly.
- Allow the grease filters to drain.

## 8.7 Cleaning grease filters in the dishwasher

The grease filters filter the grease from the cooking vapour. Regularly cleaned grease filters guarantee a high level of grease removal. We recommend cleaning the grease filters every two months.

### **⚠ WARNING – Risk of fire!**

Fatty deposits in the grease filters may catch fire.

- ▶ Clean the grease filters regularly.

### **ATTENTION!**

The grease filters may become damaged if they are squeezed.

- ▶ Do not squeeze the grease filters.

**Note:** When cleaning the grease filter in the dishwasher, light discolouration may occur. This discolouration has no effect on the performance of the metal grease filters.

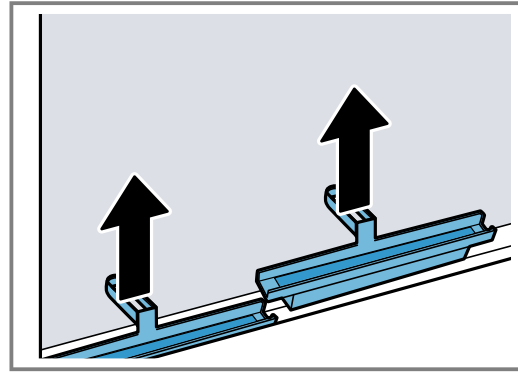
**Requirement:** The grease filters have been removed.

- Observe the information regarding the cleaning agents.  
→ "Cleaning products", Page 7
- Place the grease filters loosely into the dishwasher. Do not clean heavily soiled grease filters with utensils. Use special grease solvent for stubborn dirt. You can obtain grease solvents from after-sales service or the online shop.
- Start the dishwasher. Select a temperature of no more than 70 °C.
- Allow the grease filters to drain.

## 8.8 Removing the grease drain channels

**Note:** To facilitate cleaning, you can remove the grease drain channels.

- ▶ Remove the grease drain channels.



## 8.9 Cleaning the grease drain channels

- ▶ Clean the grease drain channels in the dishwasher or manually with hot soapy water.

## 8.10 Inserting the grease drain channels

- ▶ Insert the grease drain channels.

## 8.11 Installing the grease filters

- Insert the grease filters.
- Fold the grease filter backwards and engage the locking mechanism.

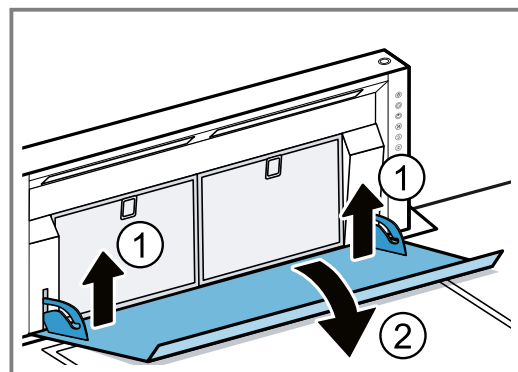
## 8.12 Closing the filter cover

- Grip the filter cover in the middle and fold it up.  
✓ The filter cover snaps in.
- Reset the saturation indicator. → Page 7

## 8.13 Removing the filter cover

**Note:** For better cleaning, you can remove the filter cover.

- Open the filter cover.
- Grip the filter cover on the side with both hands.
- Lift up the rear section as far as it will go and pull the filter cover forwards.



- The filter cover can be pulled using the bolts of the holder.

## 8.14 Cleaning the filter cover

- ▶ Clean the filter cover manually with hot soapy water.

## 8.15 Fitting the filter cover

1. Grip the filter cover on the side with both hands.
2. Slide the filter cover onto the bolts of the holder.
3. Lift up the filter cover on the front side until it locks into position.

# 9 Troubleshooting

You can rectify minor faults on your appliance yourself. Read the troubleshooting information before contacting after-sales service. This will avoid unnecessary costs.

### **WARNING – Risk of injury!**

Improper repairs are dangerous.

- ▶ Repairs to the appliance should only be carried out by trained specialist staff.
- ▶ If the appliance is defective, call Customer Service.

### **WARNING – Risk of electric shock!**

Incorrect repairs are dangerous.

- ▶ Repairs to the appliance should only be carried out by trained specialist staff.
- ▶ Only use genuine spare parts when repairing the appliance.
- ▶ If the power cord of this appliance is damaged, it must be replaced with a special connection cable, which is available from the manufacturer or his Customer Service.

## 9.1 Malfunctions

| Fault   | Cause and troubleshooting   |
|---|---|
| The appliance is not working.                           | The mains plug of the power cord is not plugged in. <ul style="list-style-type: none"> <li>▶ Connect the appliance to the power supply.</li> </ul> The circuit breaker in the fuse box has tripped. <ul style="list-style-type: none"> <li>▶ Check the circuit breaker in the fuse box.</li> </ul> There has been a power cut. <ul style="list-style-type: none"> <li>▶ Check whether the lighting in your kitchen or other appliances are working.</li> </ul> The appliance is not connected to the control unit. <ul style="list-style-type: none"> <li>▶ Connect the control unit to the appliance.<br/>→ "Connecting the connection cables", Page 19</li> </ul> |
| The appliance is not working, all of the buttons flash. | The network-cable plug is not plugged in. <ul style="list-style-type: none"> <li>▶ Check the connection of the network cables for all of the appliances.</li> </ul> The circuit breaker in the fuse box has tripped. <ul style="list-style-type: none"> <li>▶ Check the circuit breaker in the fuse box.</li> </ul> An appliance component has failed. <ul style="list-style-type: none"> <li>▶ Call the after-sales service.<br/>→ "Customer Service", Page 11</li> </ul>  |
| The appliance does not retract.                         | The filter cover is not closed. <ul style="list-style-type: none"> <li>▶ Close the filter cover completely.<br/>→ "Closing the filter cover", Page 9</li> </ul>   |
| The button illumination does not work.                  | The control unit is faulty. <ul style="list-style-type: none"> <li>▶ Call the after-sales service.<br/>→ "Customer Service", Page 11</li> </ul>   |
| The LED lighting does not work.                         | Different causes are possible. <ul style="list-style-type: none"> <li>▶ Defective LED lights may be replaced by the manufacturer, their customer service or a qualified technician (electrician) only.</li> <li>▶ Call the after-sales service.<br/>→ "Customer Service", Page 11</li> </ul>  |
| The saturation indicator flashes.                       | The grease filters are saturated. <ul style="list-style-type: none"> <li>▶ → "Cleaning grease filters in the dishwasher", Page 9</li> <li>▶ Clean the grease filters manually. → Page 9</li> </ul>  |
| Noises when retracting or extending the appliance.      | These noises are inherent in the design and have no effect on the how the appliance operates. <ul style="list-style-type: none"> <li>▶ This is normal.</li> </ul> No action required.   |

## 10 Customer Service

Function-relevant genuine spare parts according to the corresponding Ecodesign Order can be obtained from Customer Service for a period of at least 10 years from the date on which your appliance was placed on the market within the European Economic Area.

**Note:** Under the terms of the manufacturer's warranty the use of Customer Service is free of charge.

Detailed information on the warranty period and terms of warranty in your country is available from our after-sales service, your retailer or on our website.

If you contact Customer Service, you will require the product number (E-Nr.) and the production number (FD) of your appliance.

The contact details for Customer Service can be found in the enclosed Customer Service directory or on our website.

This product contains light sources from energy efficiency class G. These light sources are available as a spare part and should only be replaced by trained specialist staff.

### 10.1 Product number (E-Nr.) and production number (FD)

You can find the product number (E-Nr.) and the production number (FD) on the appliance's rating plate. The rating plate is located at the bottom on the front of the appliance. To find it, open the door of the base cabinet in which the appliance is installed.

Make a note of your appliance's details and the Customer Service telephone number to find them again quickly.

## 11 Disposal

### 11.1 Disposing of old appliance

Valuable raw materials can be reused by recycling.

1. Unplug the appliance from the mains.
2. Cut through the power cord.
3. Dispose of the appliance in an environmentally friendly manner.  
Information about current disposal methods are available from your specialist dealer or local authority.



This appliance is labelled in accordance with European Directive 2012/19/EU concerning used electrical and electronic appliances (waste electrical and electronic equipment - WEEE).

The guideline determines the framework for the return and recycling of used appliances as applicable throughout the EU.

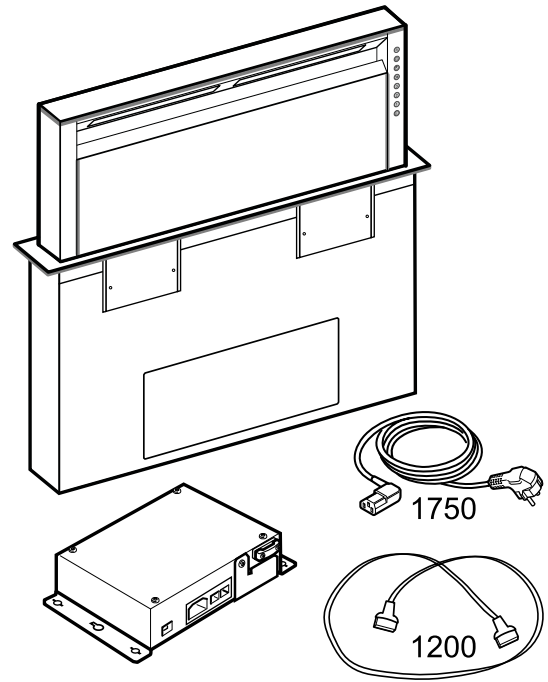
## 12 Installation instructions

Observe this information when installing the appliance.



## 12.1 Scope of delivery

After unpacking all parts, check for any damage in transit and completeness of the delivery.



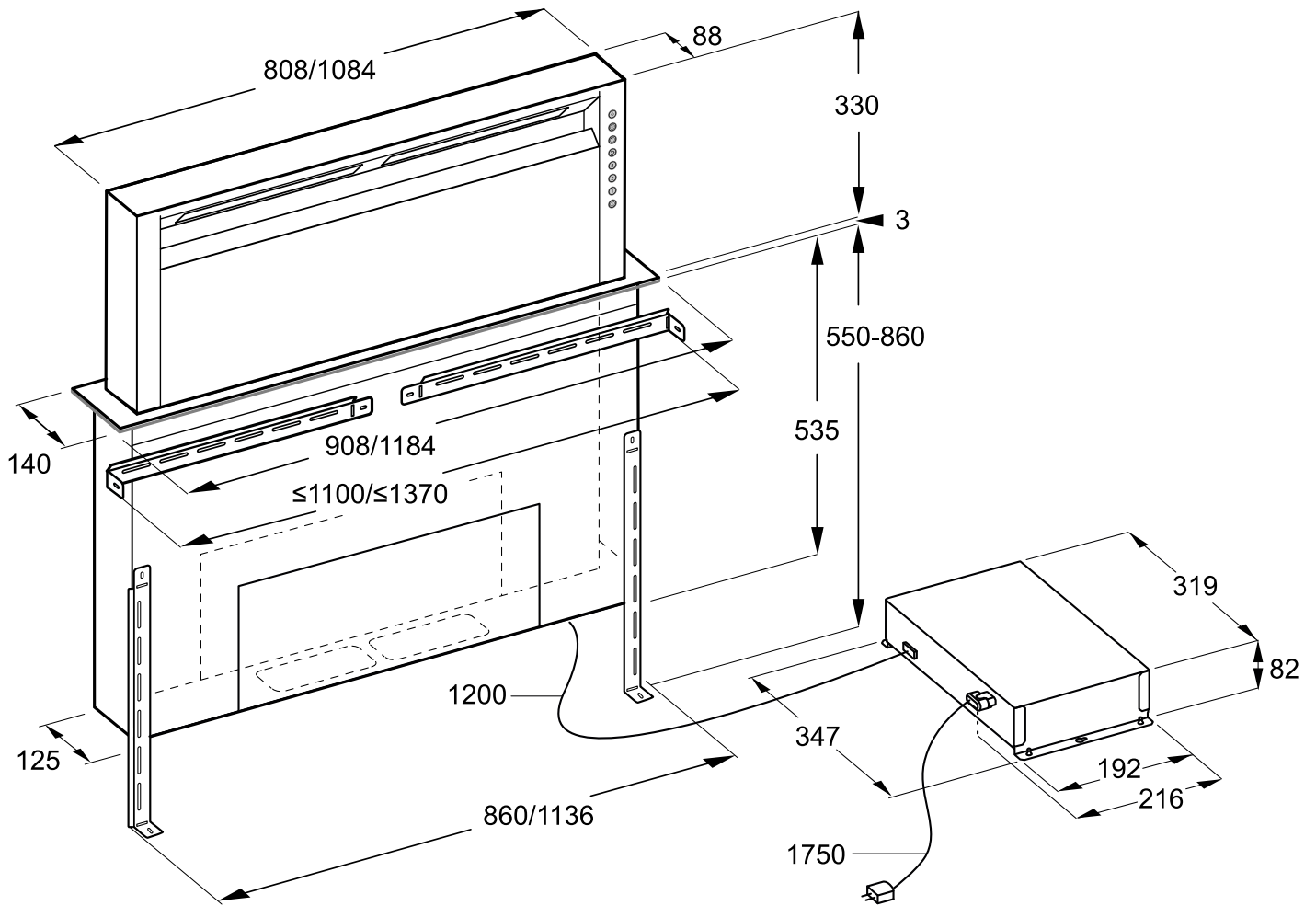
8x  M4 x 9

2x  Ø4 x 15

4x 

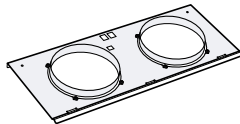
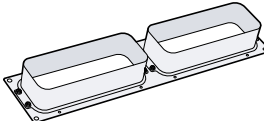
## 12.2 Appliance dimensions

You will find the dimensions of the appliance here



## 12.3 Required installation accessories

Use original accessories. These have been made especially for your appliance. Here, you can find an overview of your appliance's installation accessories. Depending on the exhaust air duct (front, back or bottom), order one of the following accessories.

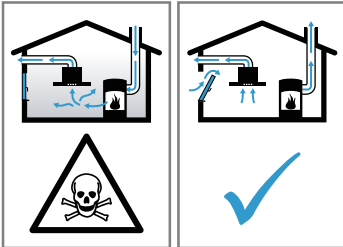
| Accessories  | Order number |
|--|--------------|
| Connecting piece for duct,<br>2x DN 150 mm, round                                   | AD754049     |
| Connecting piece for flat<br>duct system with guidance<br>fins, 2x DN 150 mm, flat  | AD854050     |

## 12.4 Secure installation

Follow these safety instructions when installing the appliance.

### **WARNING – Risk of poisoning!**

Risk of poisoning from flue gases being drawn back in. Room-air-dependent heat-producing appliances (e.g. gas, oil, wood or coal-operated heaters, continuous flow heaters or water heaters) obtain combustion air from the room in which they are installed and discharge the exhaust gases into the open through an exhaust gas system (e.g. a chimney). With the extractor hood switched on, air is extracted from the kitchen and the adjacent rooms. Without an adequate supply of air, the air pressure falls below atmospheric pressure. Toxic gases from the flue or the extraction shaft are sucked back into the living space.



- ▶ Always ensure adequate fresh air in the room if the appliance is being operated in exhaust air mode at the same time as a room-air-dependent heat-producing appliance is being operated.
- ▶ It is only possible to safely operate the appliance if the pressure in the room in which the heating appliance is installed does not drop more than 4 Pa (0.04 mbar) below atmospheric pressure. This can be achieved whenever the air needed for combustion is able to enter through openings that cannot be sealed, for example in doors, windows, incoming/exhaust air wall boxes or by other technical means. An incoming/exhaust air wall box alone does not ensure compliance with the limit.
- ▶ In any case, consult your responsible chimney sweep. They are able to assess the house's entire ventilation setup and will suggest the suitable ventilation measures to you.

Risk of poisoning from flue gases being drawn back in.

- ▶ If an extractor hood with an open-flued heat production source is installed, the power supply for the extractor hood must be provided with a suitable safety switch.

Risk of poisoning from flue gases being drawn back in.

- ▶ Do not emit the exhaust air into a smoke or exhaust gas flue that is in operation.
- ▶ Do not emit the exhaust air into a shaft that is used to ventilate installation rooms for heat-producing appliances.
- ▶ If the exhaust air is to be conveyed into a smoke or exhaust gas flue, you must obtain the consent of the heating engineer responsible.

### **WARNING – Risk of suffocation!**

Children may put packaging material over their heads or wrap themselves up in it and suffocate.

- ▶ Keep packaging material away from children.
- ▶ Do not let children play with packaging material.

### **WARNING – Risk of fire!**

Grease deposits in the grease filter may catch fire.

- ▶ The specified safety clearances must be complied with in order to prevent a build-up of heat.
- ▶ Observe the specifications for your cooking appliances. If the installation instructions for the cooking appliances specify a different clearance, the larger of the two must always be provided for. If gas hobs and electric hobs are operated together, the largest specified clearance applies.
- ▶ The appliance must be installed with no more than one side directly next to a high-sided unit or a wall. The distance between the appliance and wall or high-sided unit must be at least 50 mm.

The grease deposits in the grease filter may catch fire.

- ▶ Never work with naked flames close to the appliance (e.g. flambéing).
- ▶ Do not install the appliance near a heat-producing appliance for solid fuel (e.g. wood or coal) unless a closed, non-removable cover is present. There must be no flying sparks.

### **⚠ WARNING – Risk of injury!**

Components inside the appliance may have sharp edges.

- ▶ Wear protective gloves.

The appliance is heavy.

- ▶ To move the appliance, two people are required.

- ▶ Use only suitable tools and equipment.

Changes to the electrical or mechanical assembly are dangerous and may lead to malfunctions.

- ▶ Do not make any changes to the electrical or mechanical assembly.

The appliance is very narrow and can tip over easily.

- ▶ Do not set the appliance down on the floor.
- ▶ Lay the appliance flat on the floor.

### **⚠ WARNING – Risk of electric shock!**

Sharp-edged components inside the appliance may damage the connecting cable.

- ▶ Do not kink or trap the connecting cable.

If the appliance or the power cord is damaged, this is dangerous.

- ▶ Never operate a damaged appliance.
- ▶ Never pull on the power cord to unplug the appliance. Always unplug the appliance at the mains.
- ▶ If the appliance or the power cord is damaged, immediately unplug the power cord or switch off the fuse in the fuse box.
- ▶ Call customer services. → *Page 11*

Incorrect repairs are dangerous.

- ▶ Repairs to the appliance should only be carried out by trained specialist staff.
- ▶ Only use genuine spare parts when repairing the appliance.
- ▶ If the power cord of this appliance is damaged, it must be replaced with a special connection cable, which is available from the manufacturer or his Customer Service.

Incorrect installation is dangerous.

- ▶ Connect and operate the appliance only in accordance with the specifications on the rating plate.
- ▶ Connect the appliance to a power supply with alternating current only via a properly installed socket with earthing.
- ▶ The protective conductor system of the domestic electrical installation must be properly installed.
- ▶ Never equip the appliance with an external switching device, e.g. a timer or remote control.
- ▶ When the appliance is installed, the mains plug of the power cord must be freely accessible. If free access is not possible, an all-pole isolating switch must be installed in the permanent electrical installation according to the conditions of Overvoltage Category III and according to the installation regulations.

## **12.5 Instructions for the electrical connection**

In order to safely connect the appliance to the electrical system, follow these instructions.

### **⚠ WARNING – Risk of electric shock!**

It must always be possible to disconnect the appliance from the electricity supply. The appliance must only be connected to a protective contact socket that has been correctly installed.

- ▶ The mains plug for the mains power cable must be easily accessible after the appliance is installed.
- ▶ If this is not possible, an all-pole isolating switch must be integrated into the permanent electrical installation according to the conditions of overvoltage category III and according to the installation regulations.
- ▶ The permanent electrical installation must only be wired by a professional electrician. We recommend installing a residual-current circuit breaker (RCCB) in the appliance's power supply circuit.

Sharp-edged components inside the appliance may damage the connecting cable.

- ▶ Do not kink or trap the connecting cable.
- The connection data can be found on the rating plate. → *Page 11*
- This appliance complies with the EC interference suppression regulations.
- The appliance corresponds to protection class 1. You should therefore only use the appliance with a protective earth connection.
- Do not connect the appliance to the power supply during installation.
- Ensure that the protection against contact is guaranteed during installation.

## 12.6 Information on the installation situation

- Install this appliance in a worktop.
- The width of the extractor hood must correspond at least with the width of the hob.

## 12.7 Instructions for the exhaust air pipe

The appliance manufacturer does not provide any warranty for faults attributable to the pipeline.

- Use a short, straight exhaust air pipe with as large a pipe diameter as possible.
- Long, rough exhaust air pipes, many pipe bends or small pipe diameters reduce the suction power and increase the fan noise.
- Use an exhaust pipe that is made of non-combustible material.
- To prevent condensate from returning, fit the exhaust pipe with a 1° gradient from the appliance.

### Flat ducts

Use flat ducts with an inner cross-section that corresponds to the diameter of the round pipes:

- Diameter of 150 mm corresponds to approx. 177 cm<sup>2</sup>.
- Use sealing strips for different pipe diameters.
- Do not use any flat ducts with sharp bends.

### Round pipes

Round pipes with an inner diameter of 150 mm.

## 12.8 Information about flush installation

With the flush installation, the appliance and worktop are on one level. There is no unattractive stepping between the appliance and the worktop.

You can install the appliance in the following temperature-resistant and waterproof worktops:

- Stone worktops
- Plastic worktops, e.g. Corian®
- Solid wood worktops

Installation in compressed-wood worktops is not possible.

Have all cut-out work on the worktops carried out in a specialist workshop in compliance with the installation diagram. The cut-out must be neat and precise since the cut edge is visible on the surface.

Clean and degrease the cut-out edges with a suitable cleaning agent. When doing so, observe the usage instructions from the silicone manufacturer.

## 12.9 General information

Follow these general instructions during the installation.

- For the installation, observe the currently valid building regulations and the regulations of the local electricity and gas suppliers.
- When discharging the exhaust air, the official and legal regulations, such as the regional building code., must be observed.
- The surfaces of the appliance are sensitive. Avoid damaging them during installation.

## 12.10 Information about the fan module

Note this information about the remote fan unit.

- Only combine the appliance with a suitable remote fan unit from the same manufacturer.
- To guarantee sufficient suction power, we recommend using the appliance AL400122 with two remote fan units.
- For operation in the EU: The appliance AL400122 is only intended for circulating-air mode in accordance with EU66/2014.

## 12.11 Installation

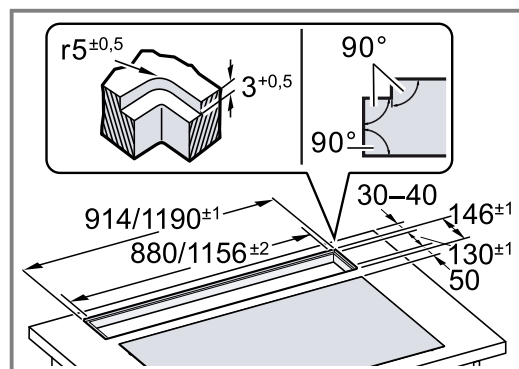
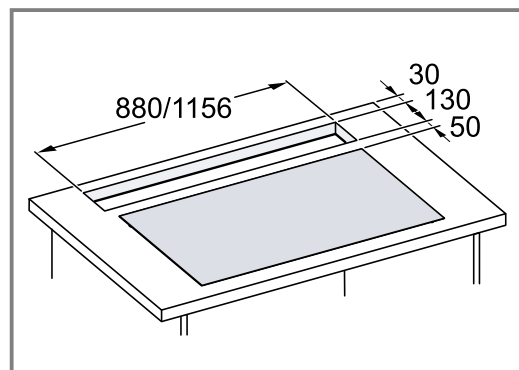
### Checking the units

1. Check whether the fitted unit is level and has sufficient load-bearing capacity.  
The max. weight of the appliance is 50 kg.
2. Ensure that the fitted unit is heat-resistant up to 90 °C.
3. Ensure that the fitted unit is still stable after the cut-outs have been made.
4. Use suitable substructures to ensure the load-bearing capacity and stability, particularly in the case of thin worktops.
  - Take the appliance weight, including additional load, into consideration.
  - Use heat-resistant and moisture-resistant reinforcement material.
5. Only check that the appliance is level once it has been installed in the installation opening.

### Preparing the units

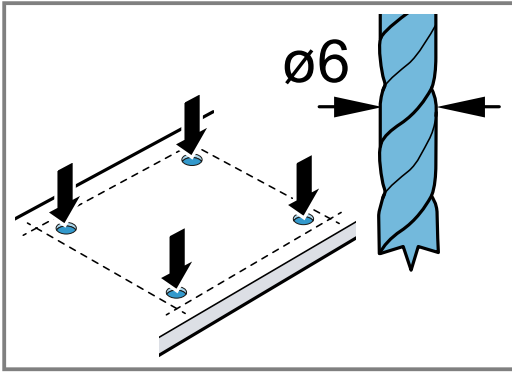
**Requirement:** The unit is suitable for the installation.  
→ "Checking the units", Page 16

1. Mark the unit cut-out in accordance with the installation diagram and depending on the installation position.

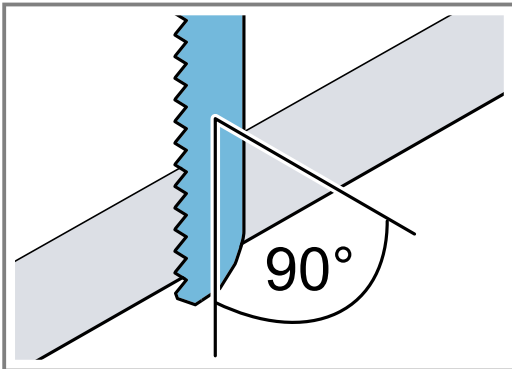




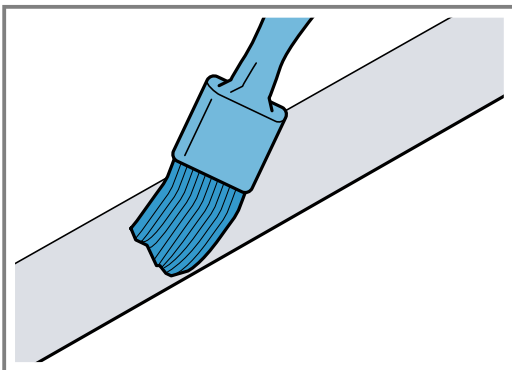
2. Drill holes with a diameter of 6 mm four times.



3. Ensure that the angle of the cut surface to the worktop is 90°.



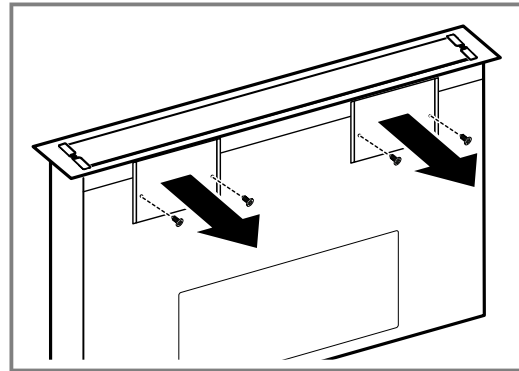
4. Seal the cut surfaces so that they are heat-resistant and waterproof.



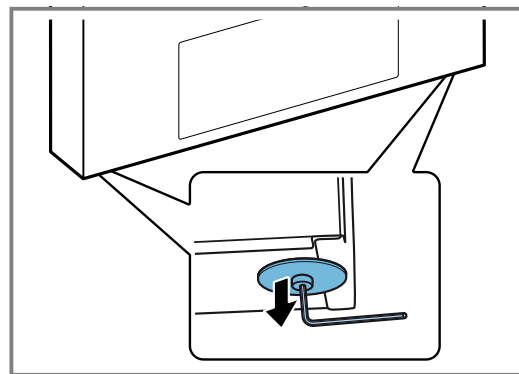
5. Ensure that the worktop has sufficient load-bearing capacity and stability. Use a heat- and humidity-resistant reinforcing material for any substructure.
6. Ensure that the fitted unit is still stable after the cut-outs have been made.
7. Observe the minimum clearances of 10 mm between the bottom of the appliance and unit parts.
8. Remove any shavings.

## Removing the transit bolts

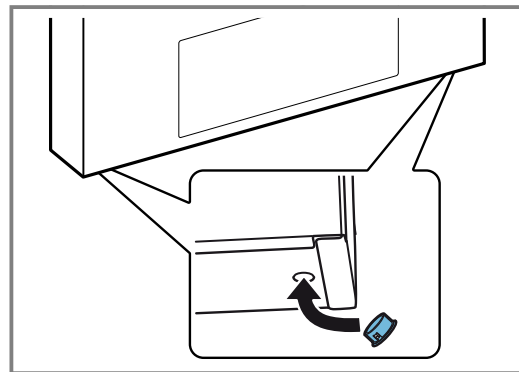
1. Unscrew the 2 panels on the front side of the appliance.



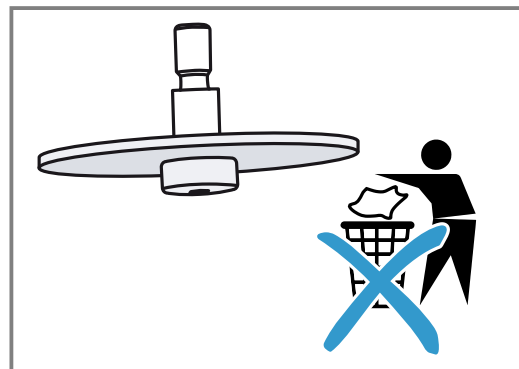
2. Unscrew the 2 screws on the underside of the appliance.



3. Close off the holes on the underside of the appliance using the locking caps.



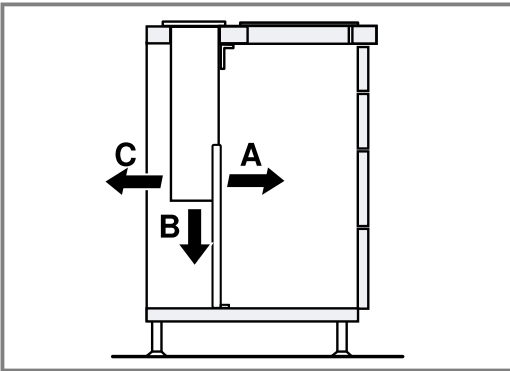
4. Keep the transit bolts safe.



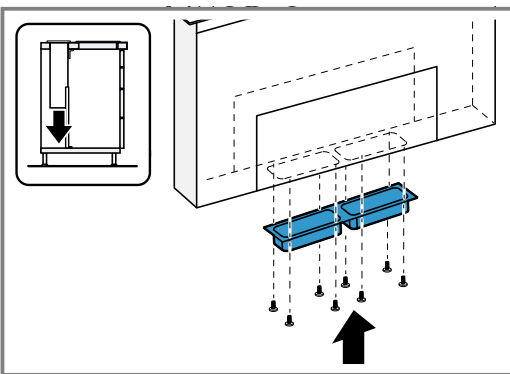
Reinstall the transit bolts before transporting the appliance.

### Preparing the appliance

1. Select the exhaust air duct depending on the installation position: Front, rear or bottom.



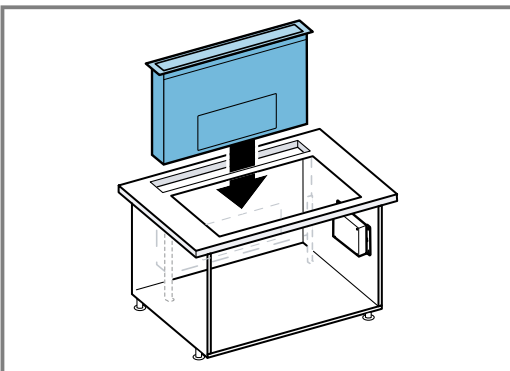
2. Attach the connecting piece to the appliance with the exhaust air duct facing down.



3. With the exhaust air duct to the front or rear, secure the connecting piece after installing the appliance.

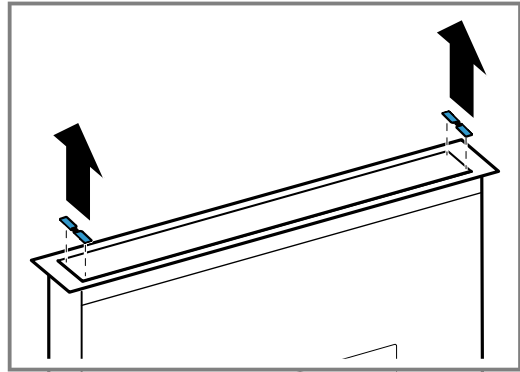
### Installing the appliance

1. Keeping the appliance level, insert it into the unit cut-out from above.
  - Ensure that the sealing strip on the underside of the appliance cover does not move.

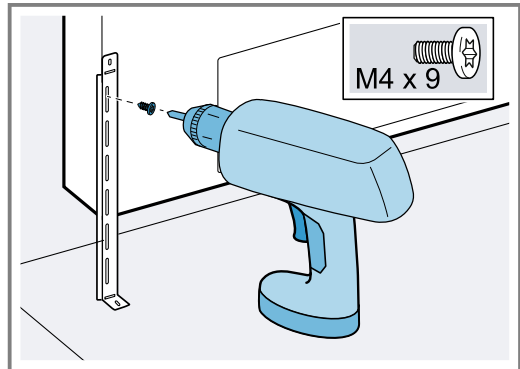


2. Push the appliance firmly into the unit cut-out from above.
  - Ensure that the appliance is firmly positioned in the unit cut-out and does not move.
  - If the width of the cut-out is at the upper tolerance limit, secure a bar at the sides of the cut-out in each case, if necessary.

3. Remove the two plastic parts on the appliance cover.



4. Align the appliance in the unit.
  - Ensure that the appliance cover is lying flat against the worktop.
  - Ensure that the lower end of the mounting bracket on the perforation is at an angle of 90°.
5. Screw the fastening bracket to the appliance and to the bottom of the unit using the enclosed sheet metal screws.

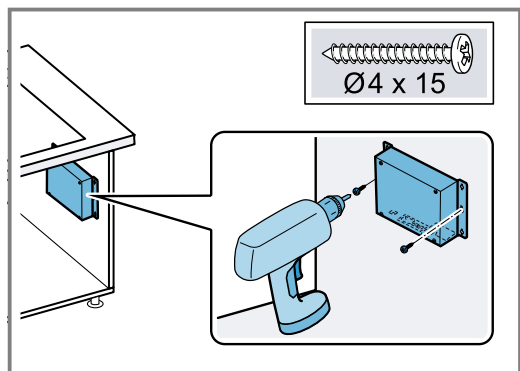


### Installing the control unit

#### **⚠ WARNING – Risk of electric shock!**

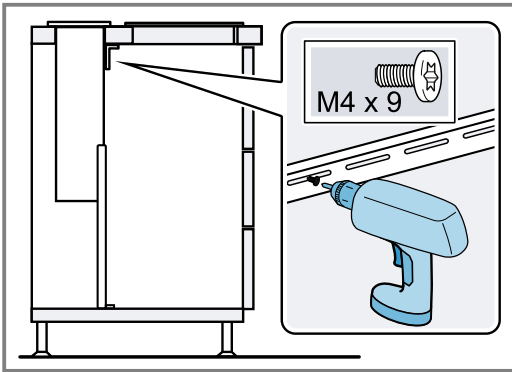
An ingress of moisture may cause an electric shock.

- ▶ Do not secure the control unit to the bottom of the unit.
- ▶ Firmly screw the control unit to the side panel or back panel of the unit.
  - Ensure that the control unit can be accessed following the installation.



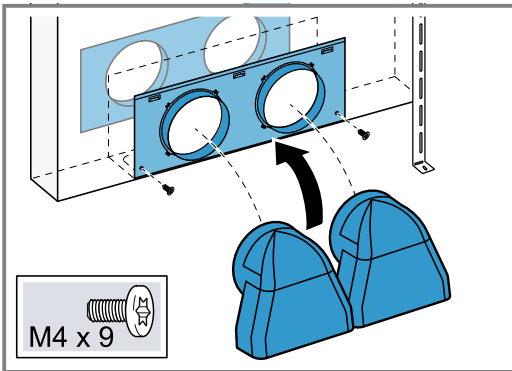
**Secure the appliance against moving**

- ▶ Screw the strut into the holes provided for this on the appliance using the metal screws supplied, and screw this onto the worktop.



**Establishing the piping**

1. For the exhaust air duct, observe the installation instructions for the fan module.
2. Attach the connecting piece at the front or rear of the appliance.



With the exhaust air duct to the bottom, secure the connecting piece before installing the appliance.

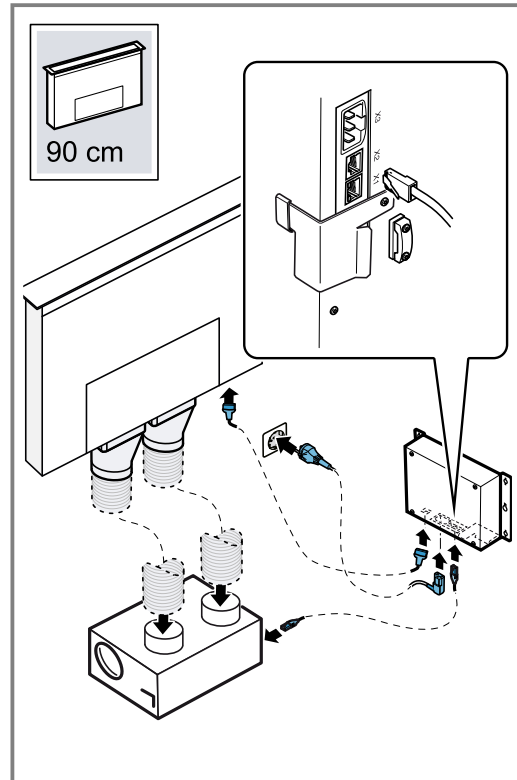
→ "Preparing the appliance", Page 18

3. Secure the exhaust air pipe to the connecting piece.
4. Seal the exhaust air pipe appropriately.

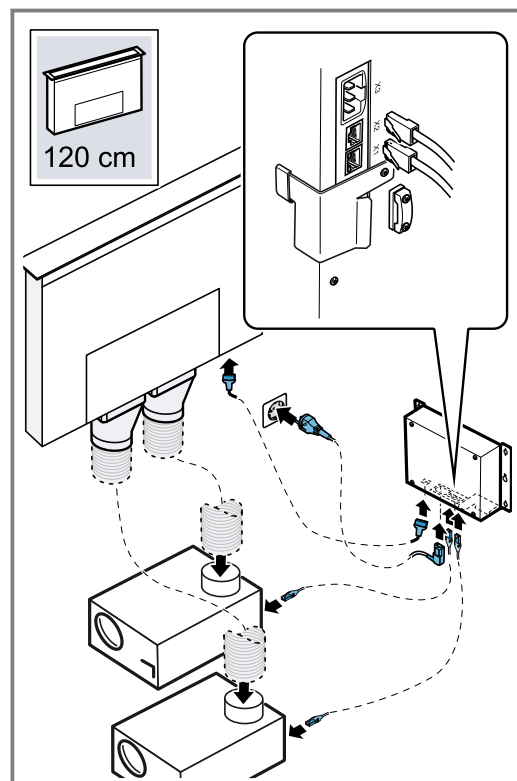
**Connecting the connection cables**

1. Connect the connection cables.

2. Observe the cabling for a fan module.



3. Observe the cabling for two fan modules.
  - Connect the fan modules in parallel or in series.



4. Ensure that the plug connections for the control cables between the control unit and the appliance click into place.
5. Ensure that the plug connections for the network cable between the control unit and the fan module click into place.  
The connection sockets X1 and X2 are identical.

### Checking the functionality

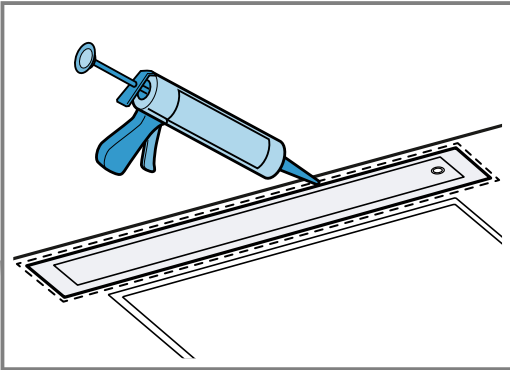
1. Connect the control unit and fan module to the power supply and check that they work correctly.
2. If the appliance does not work, check the plug connections for the connection cables.  
→ "Connecting the connection cables", Page 19

### Sealing the joints

For flush installation, seal the joints with silicone.

**Requirement:** You must carry out a function test before sealing any joints.

1. Seal all around the gap using suitable, heat-resistant silicone, e.g. Novasil® S70 or Ottoseal® S70.



Unsuitable silicone adhesive causes permanent discoloration to natural stone worktops.

2. Use the smoothing agent recommended by the manufacturer to smooth the joint.
3. Observe the usage instructions for the silicone adhesive.
4. Leave the silicone adhesive to dry for at least 24 hours.  
The drying time depends on the ambient temperature.
5. Do not operate the appliance until the silicone has dried completely.

### Removing the appliance

#### **⚠ WARNING – Risk of injury!**

The appliance is heavy.

- ▶ To move the appliance, two people are required.
- ▶ Use only suitable tools and equipment. Components inside the appliance may have sharp edges.
- ▶ Wear protective gloves.

#### **ATTENTION!**

Tools may damage the appliance.

- ▶ Do not prise out the appliance from above.
1. Disconnect the appliance from the power supply.
  2. If the appliance is flush-mounted with the surrounding surfaces, remove the silicone seal.
  3. Push out the appliance from below.

### 12.12 Additional switching output

The appliance has an additional switching output X16 (potential-free contact) that can be used to connect other appliances, such as a ventilation system that is

available at the installation site. The contact is closed when the fan is switched on, and is opened when the fan is switched off.

Work must only be carried out on the additional switching output by a qualified electrician in accordance with the country-specific requirements and standards.

The switching output is located under a cover. Maximum switching power 30 V/1 A (AC/DC). The signal that is connected to the contact must correspond to protection class 3.

### 12.13 Window contact switch

The appliance has an X17 connection for a window contact switch. If a window contact switch is connected, the extractor hood's ventilation system only works with the window open. The lighting works even if the window is closed. If you switch on the ventilation system with the window closed, the button for the fan setting you have selected flashes and the ventilation system does not switch on. If you close the window while the ventilation system is on, the appliance switches the ventilation system off within 5 seconds. The button for the selected fan setting flashes.

The entire ventilation system and window contact switch must be assessed by a master chimney sweep. Only a qualified electrician may work on the connection for the window contact switch, in accordance with the country-specific requirements and standards. Observe the installation instructions provided with the window contact switch.

The window contact switch can be flush-mounted or surface-mounted. The window contact switch AA400510 is available as an accessory.

### 12.14 Networked operation

Multiple appliances can be networked together. The lighting and the fan of up to 20 appliances are operated synchronously.

A qualified electrician must check that the appliance is working correctly during the initial installation.

The total length of all of the network cables must not exceed 40 m.

The failure of an appliance due to a voltage interruption or a network cable being disconnected blocks the fan function for the entire system, and all of the buttons on the appliance flash.

When changing the configuration, an electrician must re-initialise the system.

#### **Networking appliances**

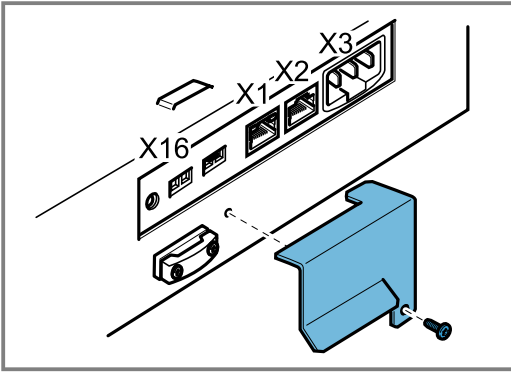
**Requirement:** A qualified electrician networks the appliances.

1. Connect the appliances in series via the connector sockets X1 and X2.  
X1 and X2 are equivalent.  
The sequence of the networking does not have any effect.
2. If the enclosed network cables are too short, use a commercially available network cable (shielded, min. CAT 5).

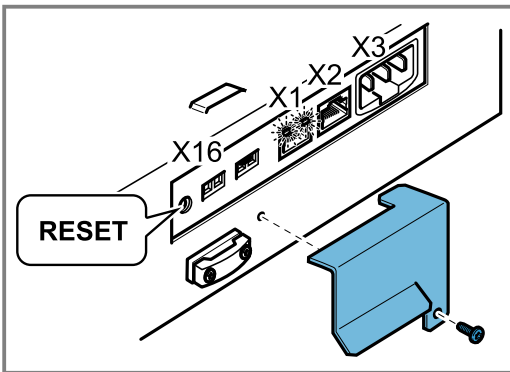
#### **Re-initialising the system**

**Requirement:** A qualified electrician carries out the initialisation and the test.

1. Unscrew the cover plate.



2. Press and hold the reset button until both LEDs light up continuously.
  - Press the reset button for approx. 5 seconds.
  - Release the reset button within 5 seconds.



3. Screw on the cover plate.
4. Check that the system is working correctly.



A series of horizontal lines for writing, starting from the top right of the pencil icon and extending across the page.



A series of horizontal lines for writing, starting with a long line from the pencil icon and followed by approximately 33 shorter lines below it.

**BSH Hausgeräte GmbH**  
Carl-Wery-Straße 34  
81739 München, GERMANY  
[www.gaggenau.com](http://www.gaggenau.com)

Valid within Great Britain:  
Imported to Great Britain by  
BSH Home Appliances Ltd.  
Grand Union House  
Old Wolverton Road  
Wolverton, Milton Keynes  
MK12 5PT  
United Kingdom

**GAGGENAU**



9001611586 en (021024)